

1. Features

- Designed for 2.4GHz applications: BT / BLE, Wi-Fi[®] (802.11a/b/g/n), ZigBee[®], etc.
- Easy to integrate
- Low profile design
- High efficiency
- Intended for SMD mounting
- Supplied in tape and reel

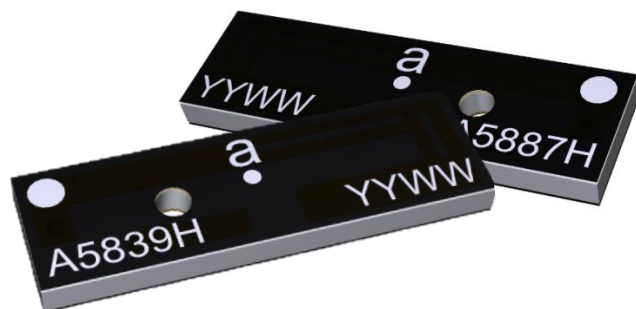
2. Description

Rufa is intended for use with all 2.4 GHz applications. The antenna uses a ground plane in order to radiate efficiently, but this ground plane must not extend underneath the antenna itself.

The antenna is available in two versions with the feed locations on the right or left hand side of the antenna.

3. Applications

- Wearables
- Notebooks
- PC-cards
- Sensors



4. Part Number

Rufa Left: A5839H



Rufa Right: A5887H



5. General Data

Product name	Rufa
Part Number	A5839H (Left) A5887H (Right)
Frequency	2.4 – 2.5GHz
Polarization	Linear
Operating temperature	-40°C to 140°C
Environmental condition test	ISO 16750-4.5.1.1/5.1.2.1/5.3.2
Impedance with matching	50 Ω
Weight	0.1 g
Antenna type	SMD
Dimensions	12.8 x 3.9 x 0.9 (mm)

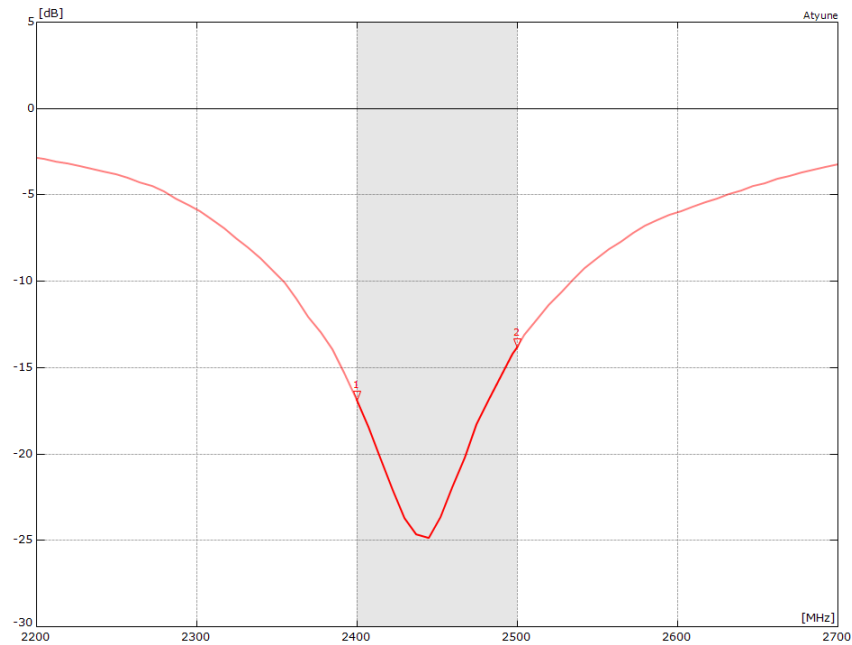
6. RF Characteristics

	2.4 – 2.5 GHz
Peak gain	2.1dBi
Average gain (Linear)	-1.2dBi
Average efficiency	75%
Maximum return loss	-11dB
Maximum VSWR	1.8:1

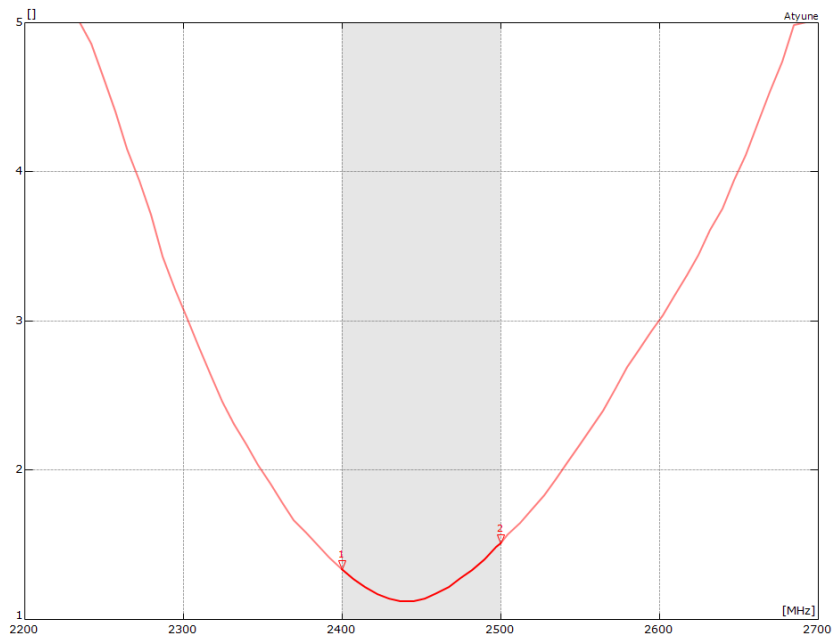
All data measured on Antenova's evaluation PCB
Part No. A5839H-EVB-1 and A5887H-EVB-1

7. RF Performance

7.1 Return Loss

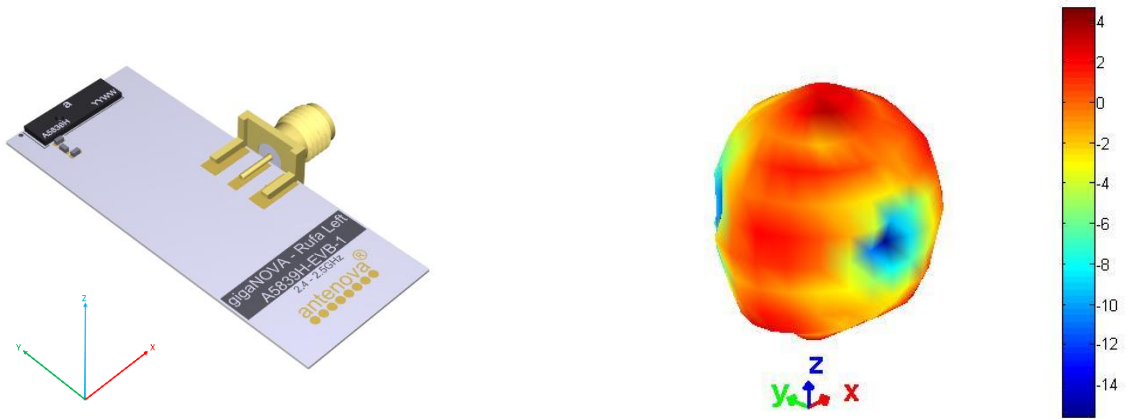


7.2 VSWR



7.3 Antenna pattern

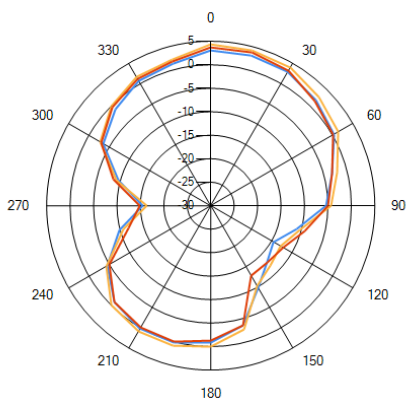
7.3.1 2400 MHz – 2500 MHz



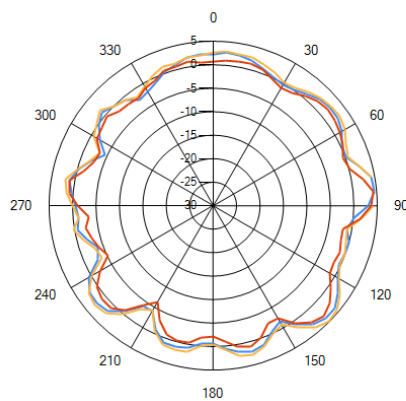
3D pattern at 2450 MHz

Drag to rotate pattern and PCB by using Adobe Reader
(Click to Activate)

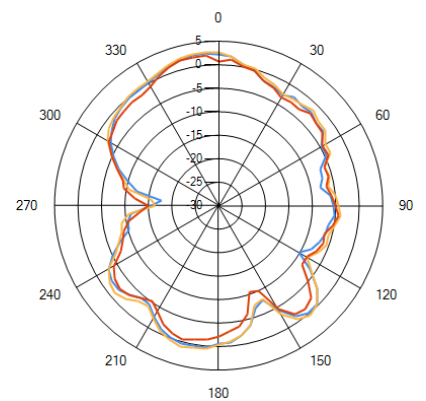
XY



XZ



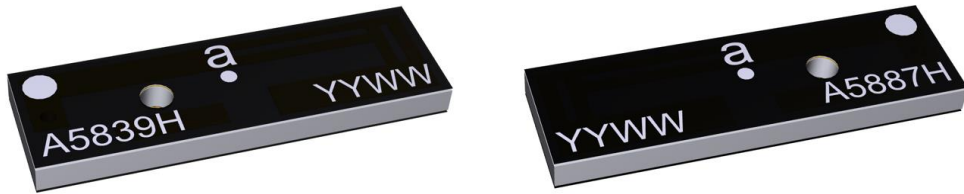
YZ



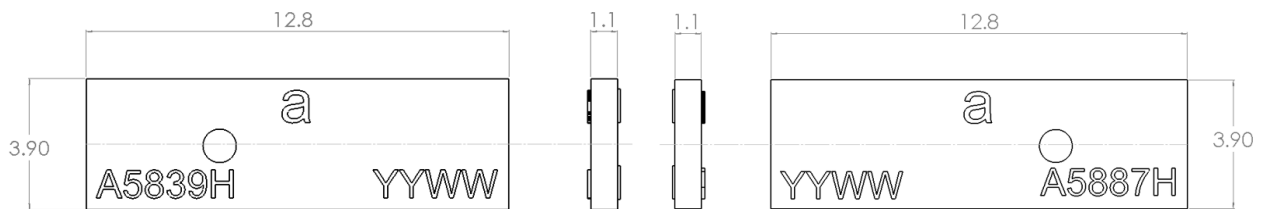
— 2.4GHz — 2.45GHz — 2.5GHz

8. Antenna Dimensions

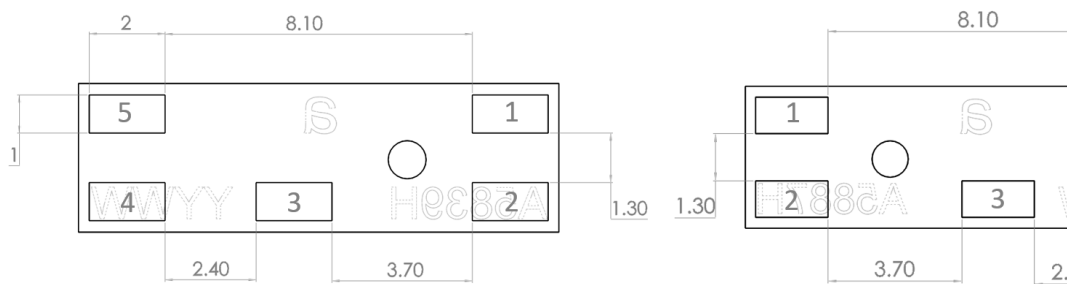
Rufa: A5839H / A5887H



Top side



Bottom Side

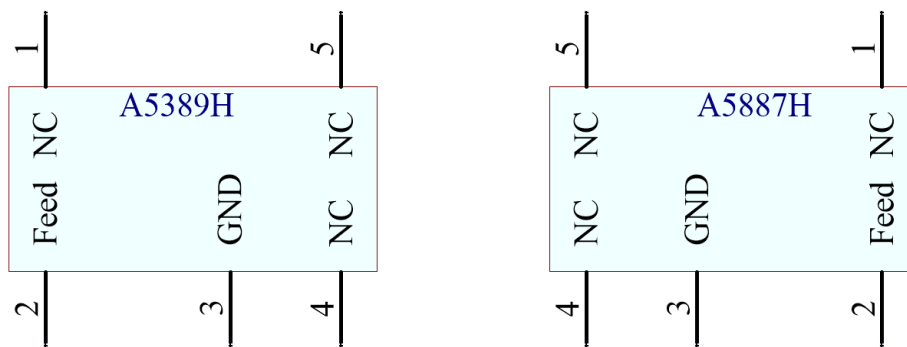


5 solder pads (2.0 x 1.0 mm)
All Dimensions in (mm)

9. Schematic symbol and Pin definition

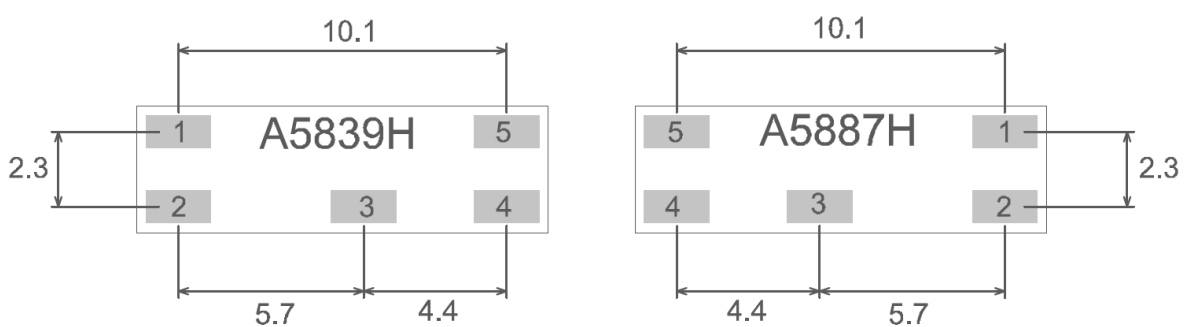
The circuit symbol for the antenna is shown below. The antenna has 5 pins with only two as functional. All other pins are for mechanical strength.

Pin	Description
2	Feed
3	GND
1,4,5	Not used (Mechanical only)



10. Antenna footprint

The recommended host PCB footprint is below.



ALL PADS = 2.0 X 1.0 (MM)
ALL DIMENSIONS IN MM

11. Electrical Interface

11.1 Transmission Line

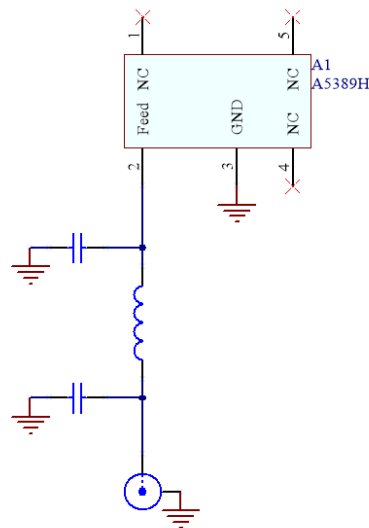
All transmission lines should be designed to have a characteristic impedance of 50Ω.

- The length of the transmission lines should be kept to a minimum
- Any other parts of the RF system like transceivers, power amplifiers, etc, should also be designed to have an impedance of 50 Ω

Once the material for the PCB has been chosen (PCB thickness and dielectric constant), a coplanar transmission line can easily be designed using any of the commercial software packages for transmission line design. For the chosen PCB thickness, copper thickness and substrate dielectric constant, the program will calculate the appropriate transmission line width and gaps on either side of the track, so the characteristic impedance of the co-planar transmission is 50 Ω.

11.2 Matching Circuit

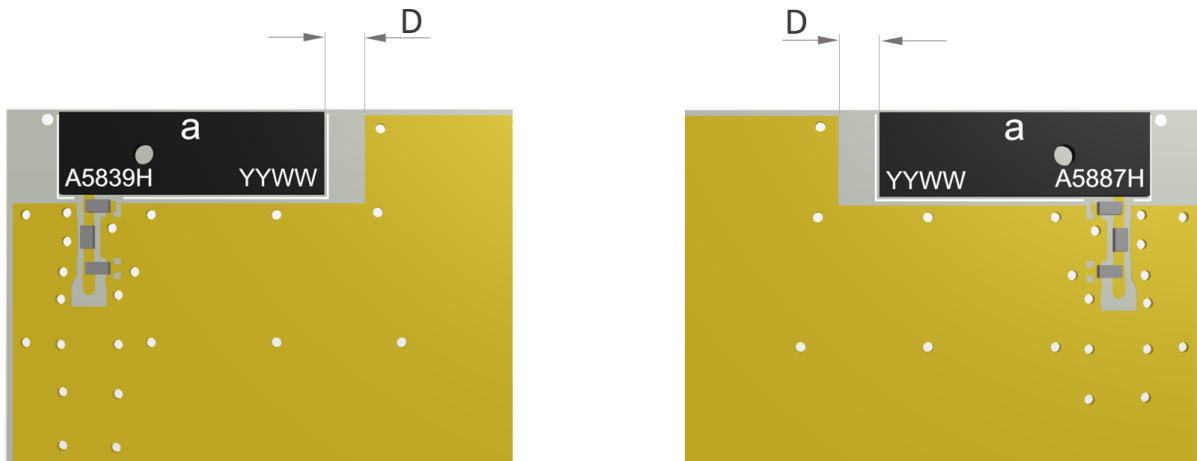
The antenna requires a matching circuit that must be optimized for each product. The matching circuit will require up to three components and the following circuit should be designed into the host PCB. Not all components may be required but should be included as a precaution. The matching network must be placed close to the antenna feed to ensure it is more effective in tuning the antenna.



12. Antenna Integration Guide

12.1 Antenna Placement

Antenova M2M strongly recommends placing the antenna at the edge of the board. Maximum antenna performance is achieved by placing the antenna towards one of the corners of the PCB and with the feed point of the antenna as close to same corner of the PCB as possible.

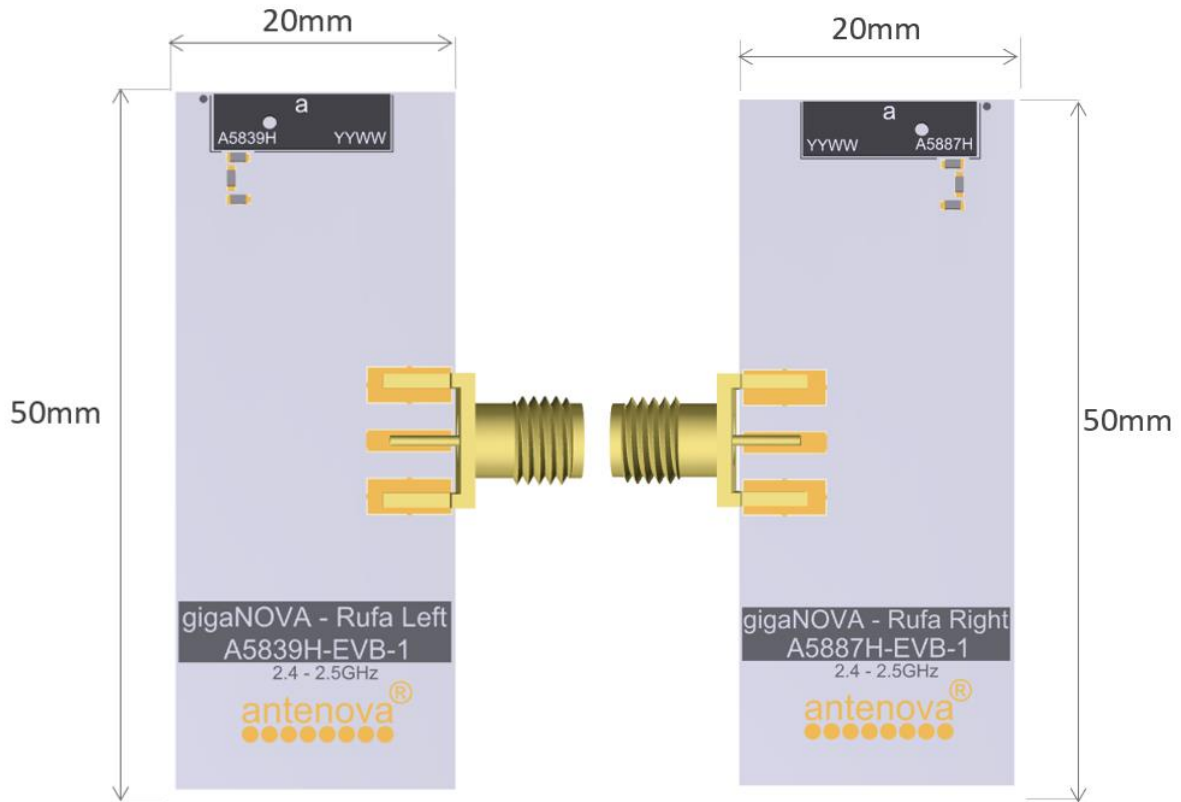


Additional ground and components near the antenna should be at a distance of at least 2mm. Where possible the antenna should be clear of ground from both sides, although the antenna can work well with a minimum clearance of $D \geq 2$ mm as shown in the drawing above.

13. Reference Board

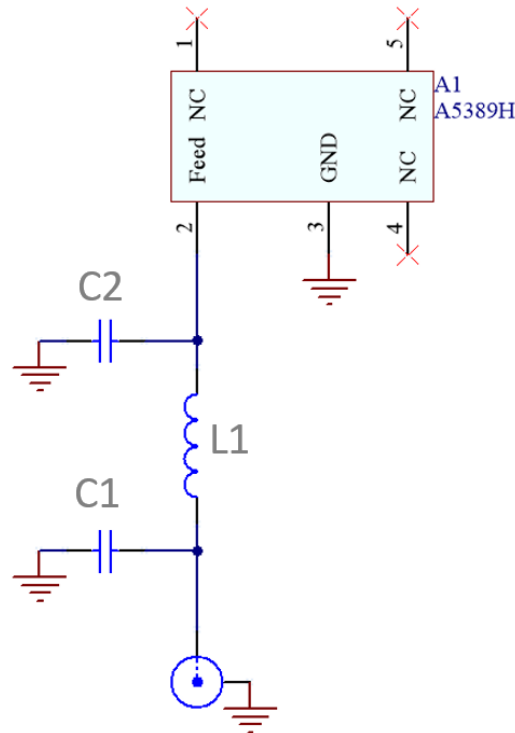
The reference board has been designed for evaluating A5839H / A5887H and includes a SMA female connector.

A5389H / A5887H Evaluation Board



To order a reference board please see www.antenova.com

13.1 Reference Board Matching Circuit

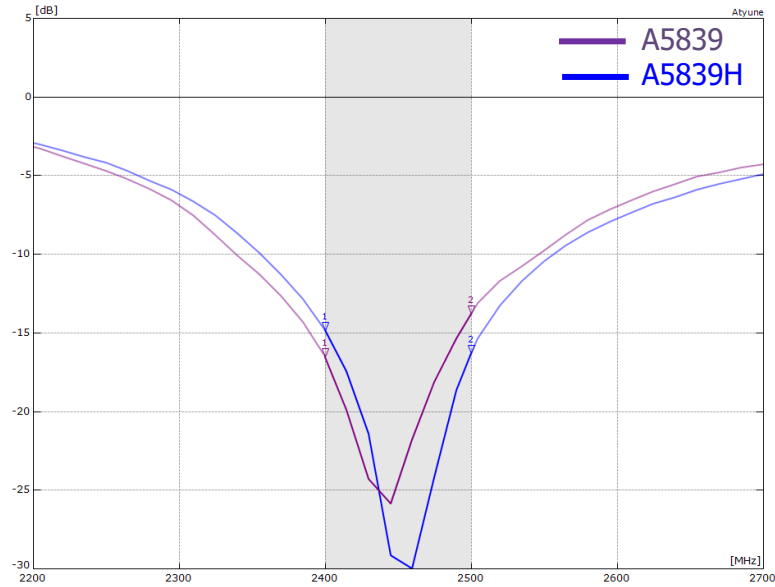


Designator	Type	Value	Description
L1	Inductor	15nH	Murata LQG15HN series
C1	Capacitor	2.2pF	Murata GJM15 series
C2	Capacitor	Not fitted	Not fitted

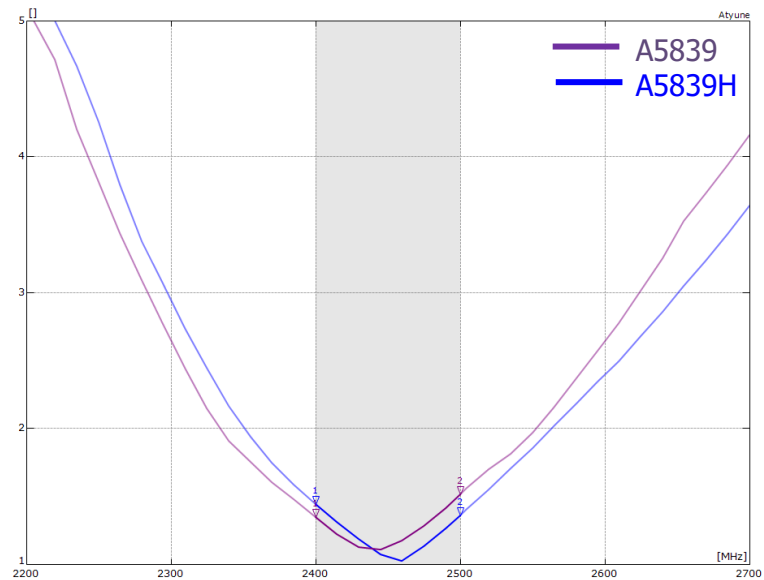
14. Comparison S11

The A5839H/A5887H is a direct replacement for the A5839/A5887 original parts. The below is a comparison between each on the same evaluation PCB.

14.1 Return Loss

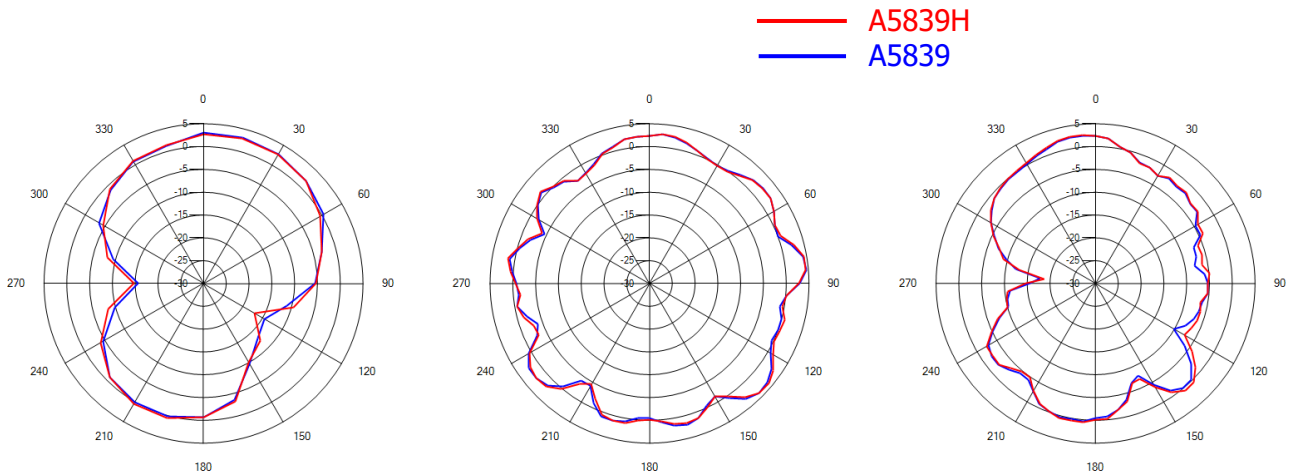


14.2 VSWR



14.3 Pattern Comparison

The A5839H/A5887H is a direct replacement for the A5839/A5887 original parts. The below is a comparison between each on the same evaluation PCB shown in a polar format.



15. Soldering

This antenna is suitable for lead free soldering.

The reflow profile should be adjusted to suit the device, oven, and solder paste, while observing the following conditions:

- The maximum temperature should not exceed 240 °C
- However, for lead free soldering, a maximum temperature of 255 °C for no more than 20 seconds is permitted.
- The antenna should not be exposed to temperatures exceeding 120 °C more than 3 times during the soldering process.

16. Hazardous Material Regulation Conformance

The antenna has been tested to conform to RoHS requirements. A certificate of conformance is available from Antenova's website.

17. Packaging

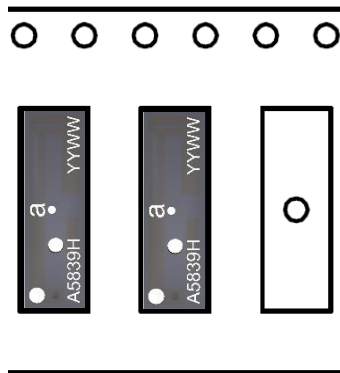
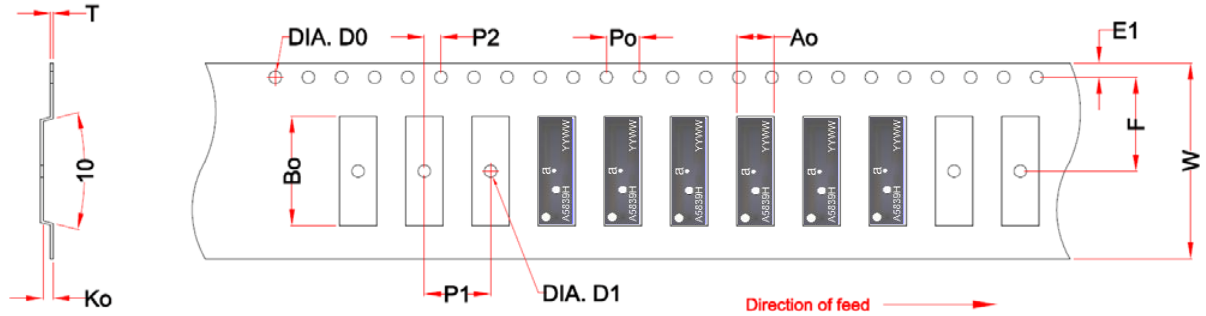
17.1 Optimal Storage Conditions

Temperature	-10°C to 40°C
Humidity	Less than 75% RH
Shelf life	24 Months
Storage place	Away from corrosive gas and direct sunlight
Packaging	Reels should be stored in unopened sealed manufacturer's plastic packaging.

Note: Storage of open reels of antennas is not recommended due to possible oxidization of pads on antennas. If short term storage is necessary, then it is highly recommended that the bag containing the antenna reel is re-sealed and stored in like storage conditions as in above table.

17.2 Tape Characteristics

Rufa Left [Part Number: A5839H]

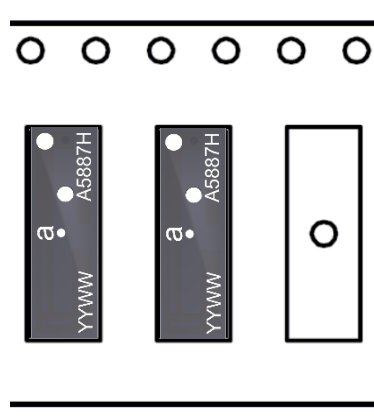
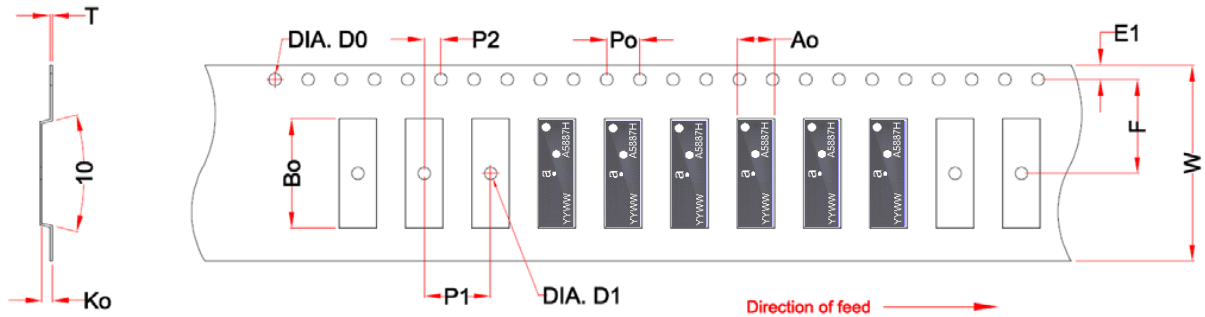


W	F	E1	P0	P1	P2	A0	B0	K0	T	D0	D1
24 ± 0.2	11.5 ± 0.1	1.75 ± 0.1	4 ± 0.1	8 ± 0.1	2 ± 0.1	4.3 ± 0.1	13.1 ± 0.1	1.4 ± 0.1	0.3 ± 0.05	Min 1.5	Min 1.5

Dimensions in mm

Quantity	Leading Space	Trailing Space
1000/5000 pcs/reel	50 blank antenna holders	37 blank antenna holders

Rufa Right [Part Number: A5887H]



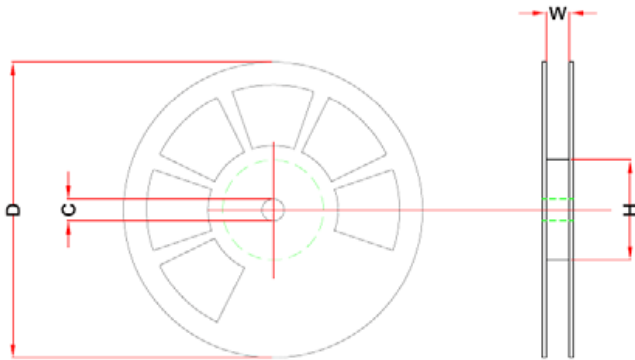
W	F	E1	P0	P1	P2	A0	B0	K0	T	D0	D1
24 ± 0.2	11.5 ± 0.1	1.75 ± 0.1	4 ± 0.1	8 ± 0.1	2 ± 0.1	4.3 ± 0.1	13.1 ± 0.1	1.4 ± 0.1	0.3 ± 0.05	Min 1.5	Min 1.5

Dimensions in mm

Quantity	Leading Space	Trailing Space
1000 pcs / reel	50 blank antenna holders	37 blank antenna holders

Antennas for Wireless Applications

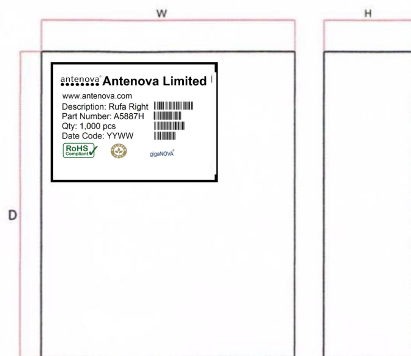
17.3 Reel Dimensions



1000pc Reel			
W	D	H	C
24 mm	180 mm	60 mm	13mm

5000pc Reel			
W	D	H	C
24 mm	330 mm	80 mm	13mm

17.4 Box Dimensions



Width (W)	Breadth (B)	Thickness (H)
203 mm	188 mm	40 mm

17.5 Bag Properties

Reels are supplied in protective plastic packaging.

17.6 Reel Label Information

antenova® Antenova Limited
www.antenova.com
Description: Rufa Left
Part Number: A5839H
Qty: 1,000 pcs
Date Code: YYWW



antenova® Antenova Limited
www.antenova.com
Description: Rufa Right
Part Number: A5887H
Qty: 1,000 pcs
Date Code: YYWW

