

## Cascadable Amplifier 10 to 600 MHz

Rev. V3

### Features

- HIGH EFFICIENCY: +17.0 dBm (TYP.)  
OUTPUT POWER AT 36 mA (TYP.)
- LOW NOISE FIGURE: 3.6 dB (TYP.)
- WIDE POWER SUPPLY RANGE: +5 TO +15 VOLTS

### Description

The A67-1 RF amplifier is a discrete hybrid design, which uses thin film manufacturing processes for accurate performance and high reliability.

This single stage bipolar transistor feedback amplifier design displays impressive performance over a broadband frequency range. Use of an impedance transformer offers the benefit of high dynamic range and high efficiency.

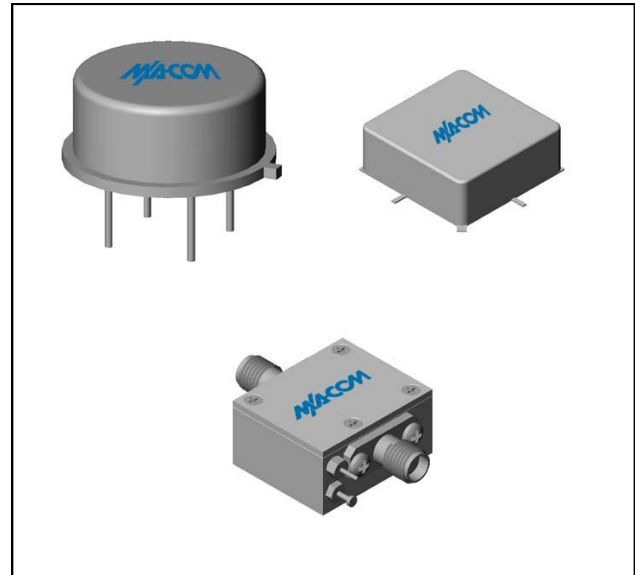
Both TO-8 and Surface Mount packages are hermetically sealed, and MIL-STD-883 environmental screening is available.

### Ordering Information

Part Number	Package
A67-1	TO-8
SMA67-1	Surface Mount
CA67-1 **	SMA Connectorized

\*\* The connectorized version is not RoHs compliant.

### Product Image



### Electrical Specifications: $Z_0 = 50\Omega$ , $V_{CC} = +15 V_{DC}$

Parameter	Units	Typical	Guaranteed	
		25°C	0° to 50°C	-54° to +85°C*
Frequency	MHz	5-700	10-600	10-600
Small Signal Gain (min)	dB	15.0	14.0	13.5
Gain Flatness (max)	dB	±0.3	±0.6	±0.8
Reverse Isolation	dB	17		
Noise Figure (max)	dB	3.7	4.3	4.5
Power Output @ 1 dB comp. (min)	dBm	17.0	16.5	16.0
IP3	dBm	+30		
IP2	dBm	+43		
Second Order Harmonic IP	dBm	+50		
VSWR Input / Output (max)		1.7:1 / 1.7:1	2.0:1 / 2.0:1	2.0:1 / 2.0:1
DC Current @ 15 Volts (max)	mA	36	39	41

### Absolute Maximum Ratings

Parameter	Absolute Maximum
Storage Temperature	-62°C to +125°C
Case Temperature	+125°C
DC Voltage	+17 V
Continuous Input Power	13 dBm
Short Term Input power (1 minute max.)	50 mW
Peak Power (3 µsec max.)	0.5 W
"S" Series Burn-In Temperature (case)	+125°C

### Thermal Data: $V_{CC} = +15 V_{DC}$

Parameter	Rating
Thermal Resistance $\theta_{jc}$	184°C/W
Transistor Power Dissipation $P_d$	0.28 W
Junction Temperature Rise Above Case $T_{jc}$	51°C

1 \* Over temperature performance limits for part number CA67-1, guaranteed from 0°C to +50°C only.

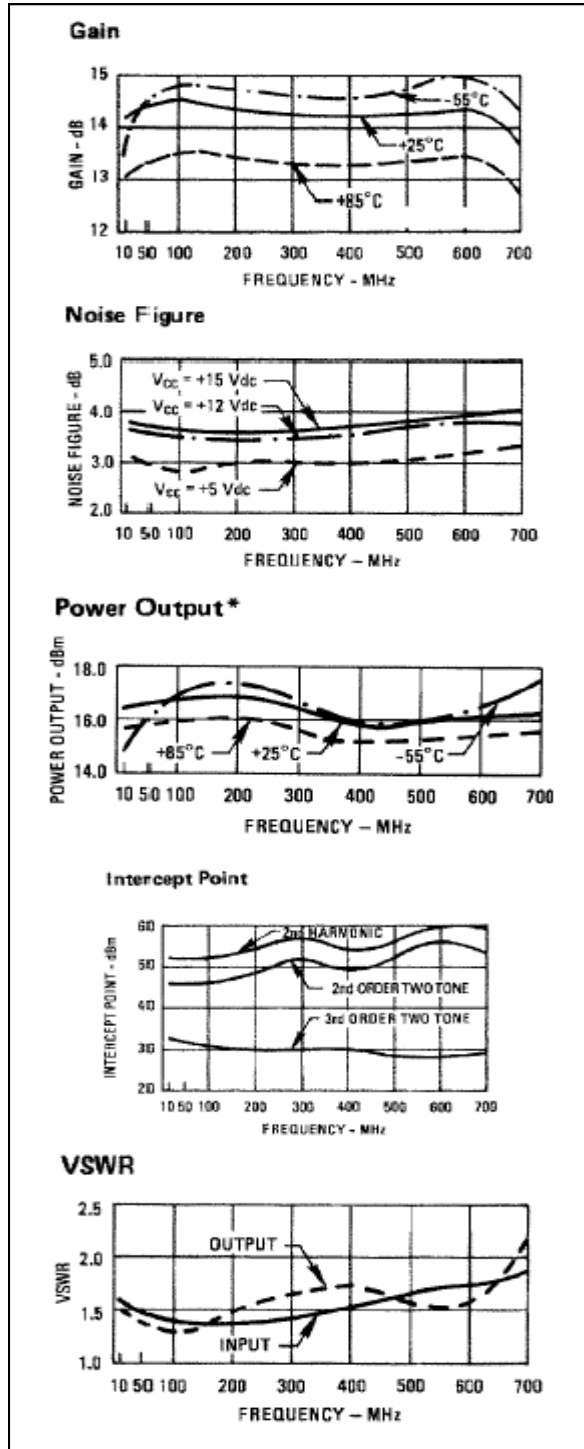
# A67-1 / SMA67-1



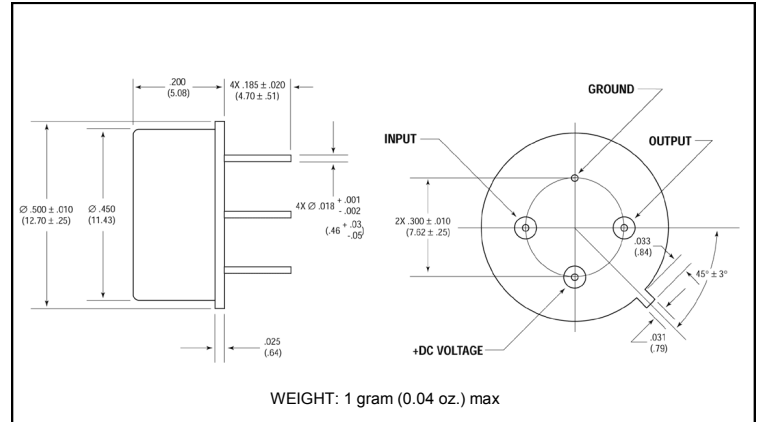
Cascadable Amplifier  
10 to 600 MHz

Rev. V3

## Typical Performance Curves at +25°C



## Outline Drawing: TO-8 \*



## Outline Drawing: Surface Mount \*



## Outline Drawing: SMA Connectorized \*

