

Cascadable Amplifier 10 to 400 MHz

Rev. V2

Features

- HIGH OUTPUT LEVEL: +17.5 dBm (TYP.)
- HIGH THIRD ORDER I.P.: +33 dBm (TYP.)
- WIDE POWER SUPPLY RANGE: +5 TO +15 VOLTS

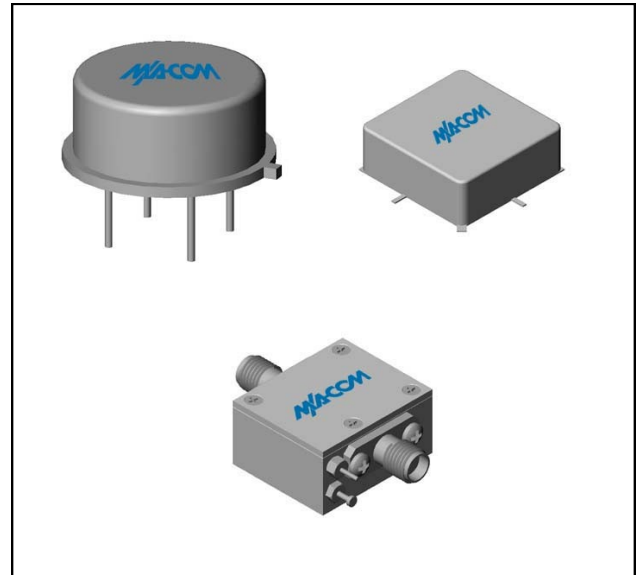
Description

The A87 RF amplifier is a discrete hybrid design, which uses thin film manufacturing processes for accurate performance and high reliability.

This single stage bipolar transistor feedback amplifier design displays impressive performance over a broadband frequency range. Use of an impedance transformer offers the benefit of high dynamic range and high efficiency.

Both TO-8 and Surface Mount packages are hermetically sealed, and MIL-STD-883 environmental screening is available.

Product Image



Ordering Information

Part Number	Package
A87	TO-8
SMA87	Surface Mount
CA87**	SMA Connectorized

** The connectorized version is not RoHs compliant.

Electrical Specifications: $Z_0 = 50\Omega$, $V_{CC} = +15 V_{DC}$

Parameter	Units	Typical	Guaranteed	
		25°C	0° to 50°C	-54° to +85°C*
Frequency	MHz	5-450	10-400	10-400
Small Signal Gain (min)	dB	14.0	13.0	12.5
Gain Flatness (max)	dB	±0.3	±0.5	±0.7
Reverse Isolation	dB	20		
Noise Figure (max)	dB	3.8	4.5	5.0
Power Output @ 1 dB comp. (min)	dBm	17.5	16.5	16.0
IP3	dBm	+33		
IP2	dBm	+47		
Second Order Harmonic IP	dBm	+53		
VSWR Input / Output (max)		1.3:1 / 1.6:1	1.7:1 / 2.0:1	1.9:1 / 2.0:1
DC Current @ 15 Volts (max)	mA	33	35	37

Absolute Maximum Ratings

Parameter	Absolute Maximum
Storage Temperature	-62°C to +125°C
Case Temperature	+125°C
DC Voltage	+17 V
Continuous Input Power	+13 dBm
Short Term Input power (1 minute max.)	50 mW
Peak Power (3 µsec max.)	0.5 W
"S" Series Burn-In Temperature (case)	+125°C

Thermal Data: $V_{CC} = +15 V_{DC}$

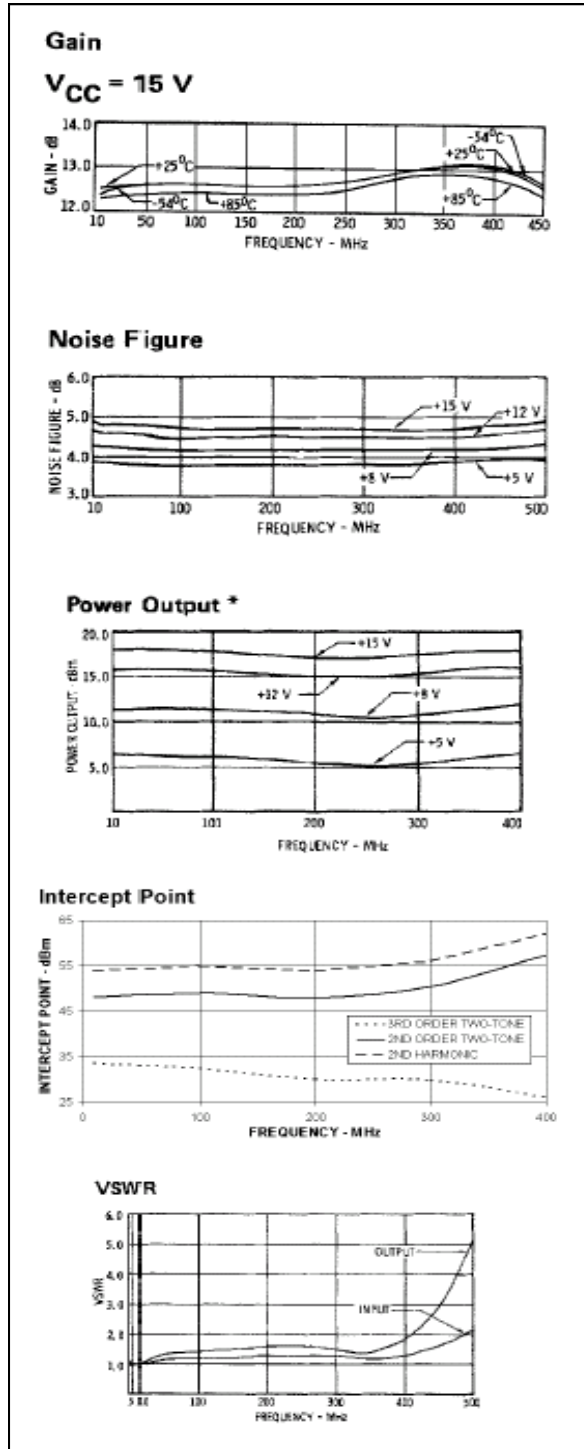
Parameter	Rating
Thermal Resistance θ_{jc}	170°C/W
Transistor Power Dissipation P_d	0.273 W
Junction Temperature Rise Above Case T_{jc}	46°C

1 * Over temperature performance limits for part number CA87, guaranteed from 0°C to +50°C only.

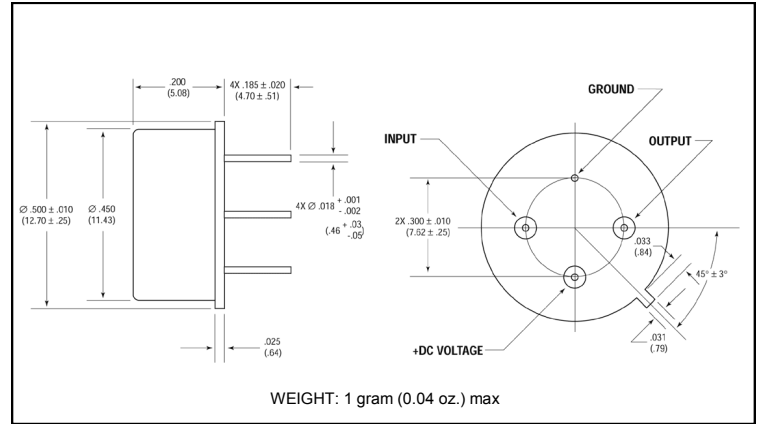
Cascadable Amplifier 10 to 400 MHz

Rev. V2

Typical Performance Curves at +25°C



Outline Drawing: TO-8 *



Outline Drawing: Surface Mount *



Outline Drawing: SMA Connectorized *

