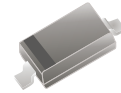


## ABAS16WS-HF

RoHS Device  
Halogen Free

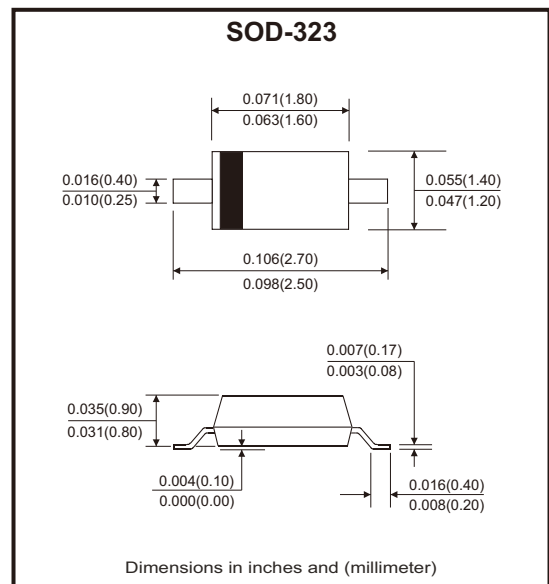


### Features

- Epoxy meets UL-94 V-0 flammability rating.
- Moisture sensitivity Level 1.
- VRRM 100V.
- IFAV 200mA.
- AEC-Q101 Qualified.

### Mechanical data

- Case: SOD-323, molded plastic.
- Terminals: Tin plated leads, solderable per J-STD-002 and JESD22-B102.
- Polarity: Cathode line denotes the cathode end.



### Circuit Diagram



### Maximum Rating (at Ta=25°C unless otherwise noted)

Parameter	Symbol	Value	Unit
Repetitive peak reverse voltage	VRRM	100	V
Average forward current	IFAV	200	mA
Peak forward surge current tp = 1ms	IFSM	1	A
Power dissipation	Ptot	200	mW
Thermal resistance junction to ambient air	RθJA	635	K/W
Maximum junction temperature	TJ	150	°C
Storage temperature range	TSTG	-55 to +150	°C

## Electrical Characteristics (at Ta=25°C unless otherwise noted)

Parameter	Symbol	Conditions	Min	Max	Unit
Forward voltage	V <sub>F1</sub>	I <sub>F</sub> = 1mA		0.715	V
	V <sub>F2</sub>	I <sub>F</sub> = 10mA		0.855	
	V <sub>F3</sub>	I <sub>F</sub> = 50mA		1.0	
	V <sub>F4</sub>	I <sub>F</sub> = 150mA		1.25	
Reverse current	I <sub>R</sub>	V <sub>R</sub> = 75V		1.0	μA
Reverse breakdown voltage	V <sub>BR</sub>	I <sub>R</sub> = 100μA	100		V
Diode capacitance	C <sub>D</sub>	V <sub>R</sub> = V <sub>F</sub> = 0V, f = 1MHz		4	pF
Reverse recovery time	t <sub>rr</sub>	I <sub>F</sub> = I <sub>R</sub> = 10mA, I <sub>rr</sub> = 0.1I <sub>R</sub> , R <sub>L</sub> = 100Ω		6	nS

## Rating and Characteristic Curves (ABAS16WS-HF)

Fig.1 - Power Dissipation Characteristics

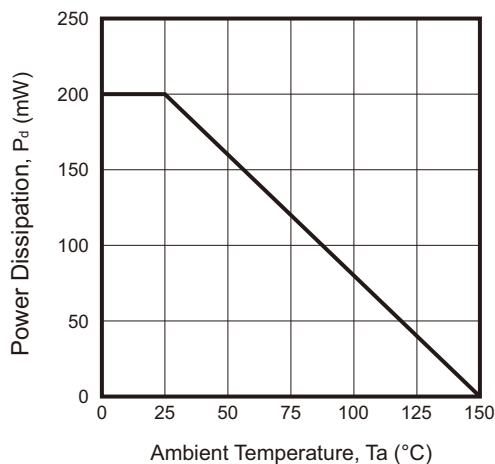


Fig.2 - Capacitance Characteristics

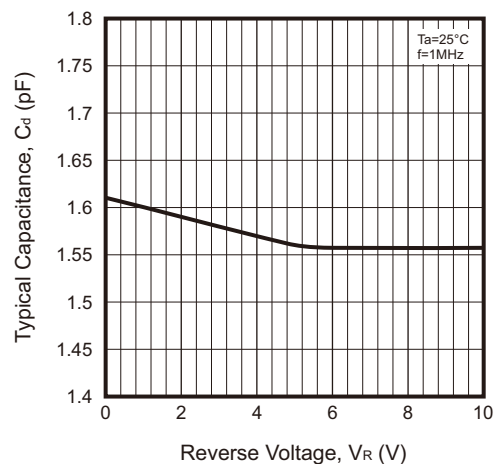


Fig.3 - Forward Characteristics

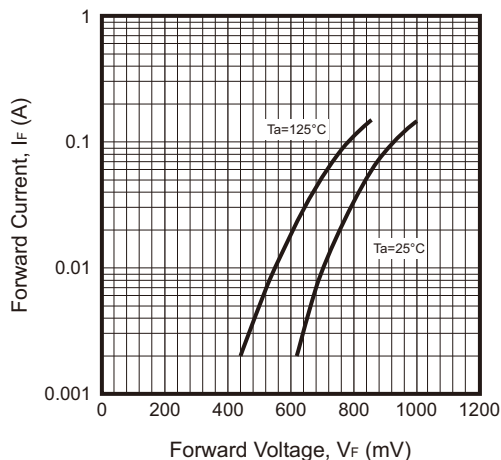
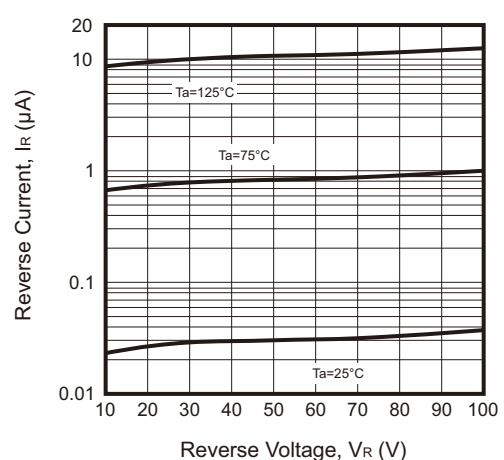


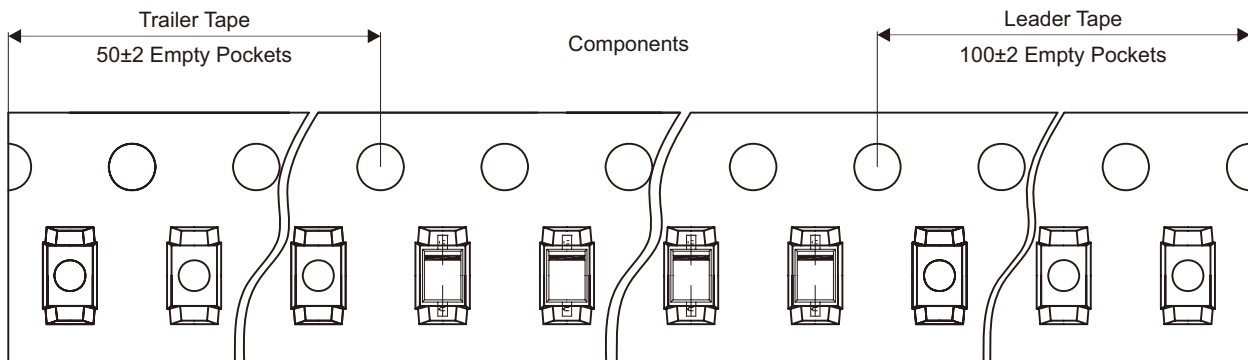
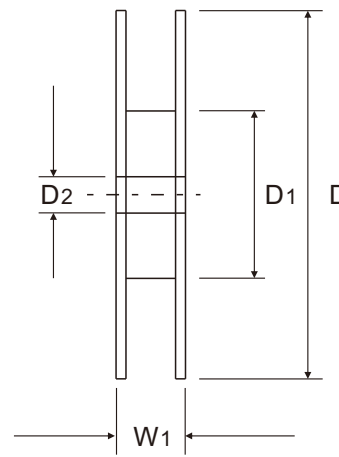
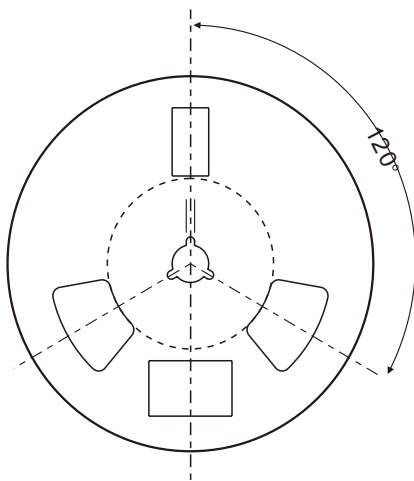
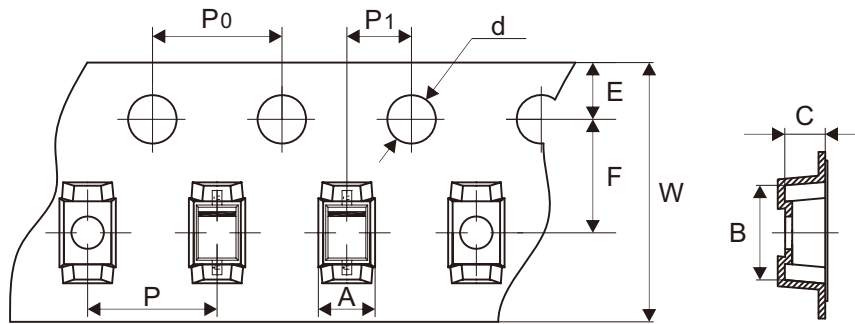
Fig.4 - Reverse Characteristics



Company reserves the right to improve product design, functions and reliability without notice.

REV:A

## Reel Taping Specification



SOD-323	SYMBOL	A	B	C	d	D	D1	D2
	(mm)	1.46 ± 0.10	2.90 ± 0.10	1.25 ± 0.10	1.50 + 0.10 - 0.00	178.00 ± 1.00	54.60 ± 0.20	13.30 ± 0.20
	(inch)	0.057 ± 0.004	0.114 ± 0.004	0.049 ± 0.004	0.059 + 0.004 - 0.000	7.008 ± 0.039	2.150 ± 0.008	0.524 ± 0.008

SOD-323	SYMBOL	E	F	P	P0	P1	W	W1
	(mm)	1.75 ± 0.10	3.50 ± 0.05	4.00 ± 0.10	4.00 ± 0.10	2.00 ± 0.05	8.00 + 0.30 - 0.10	9.60 ± 0.20
	(inch)	0.069 ± 0.004	0.138 ± 0.002	0.157 ± 0.004	0.157 ± 0.004	0.079 ± 0.002	0.315 + 0.012 - 0.004	0.378 ± 0.008

Company reserves the right to improve product design, functions and reliability without notice.

REV:A