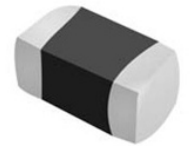


Chip NTC Thermistor

ABNTC-0402

RoHS/RoHS II Compliant



1.0 x 0.5 x 0.5 mm

FEATURES:

- Large B constant for high temperature sensing capability
- Designed for high density
- Available in standard EIA compatible case size
- Internal electrode designed for enhanced reliability
- Excellent aging stability

APPLICATIONS:

- For temperature measurement or sensor: Digital thermometer, measuring instruments, temperature controller
- For temperature compensation: transistor circuit, TCXO, Crystal Oscillator
- LED lighting driver, Notebook, Cell Phone, Power Supplies, Disk Drive

STANDARD SPECIFICATIONS:

Operating Temperature: -55°C ~+125°C

Storage Temperature: -10°C ~ +40°C and RH 75% (Max.)

| Part Number | Resistance at 25°C R25 (kΩ) | R25 Tolerance | B constant (25-50 °C) (K) | B Tolerance | Max. Permissible Operating Current (25 °C) (mA) | Thermal Time Constant | Dissipation Factor (mW/ °C) | Rated Electric Power (mW) |
|-----------------------|--------------------------------|---------------|------------------------------|-------------|--|-----------------------------|-----------------------------------|------------------------------------|
| ABNTC-0402-682Δ-3950□ | 6.8 | H, J, K | 3950 | H | 0.38 | <3sec | 1.0 | 100 |
| ABNTC-0402-103Δ-3380□ | 10 | F, H, J, K | 3380 | F, H | 0.31 | | | |
| ABNTC-0402-103Δ-3950□ | 10 | F, H, J, K | 3950 | F, H | 0.33 | | | |
| ABNTC-0402-103Δ-4050□ | 10 | F, H, J, K | 4050 | H | 0.33 | | | |
| ABNTC-0402-153Δ-3450□ | 15 | F, H, J, K | 3450 | F, H | 0.25 | | | |
| ABNTC-0402-223Δ-3950□ | 22 | F, H, J, K | 3950 | F, H | 0.23 | | | |
| ABNTC-0402-333Δ-3950□ | 33 | F, H, J, K | 3950 | H | 0.15 | | | |
| ABNTC-0402-473Δ-4100□ | 47 | F, H, J, K | 4100 | F, H | 0.12 | | | |
| ABNTC-0402-503Δ-4100□ | 50 | F, H, J, K | 4100 | F, H | 0.12 | | | |
| ABNTC-0402-683Δ-4150□ | 68 | F, H, J, K | 4150 | F, H | 0.11 | | | |
| ABNTC-0402-104Δ-4150□ | 100 | F, H, J, K | 4150 | H | 0.10 | | | |
| ABNTC-0402-104Δ-4250□ | 100 | F, H, J, K | 4250 | F, H | 0.10 | | | |
| ABNTC-0402-154Δ-4150□ | 150 | F, H, J, K | 4150 | F, H | 0.08 | | | |
| ABNTC-0402-224Δ-4250□ | 220 | F, H, J, K | 4250 | F, H | 0.06 | | | |

Δ: Please specify the tolerance code of R25 (F=±1%, H=±3%, J=±5%, K=±10%).

□: Please specify the tolerance code of B value (F=±1%, H=±3%).

Test Conditions

Unless otherwise specified, the standard atmospheric conditions for measurement/test as:

- Ambient Temperature: 20±15°C
- Relative Humidity: 65±20%
- Air Pressure: 86 kPa to 106 kPa

Chip NTC Thermistor

ABNTC-0402

RoHS/RoHS II Compliant



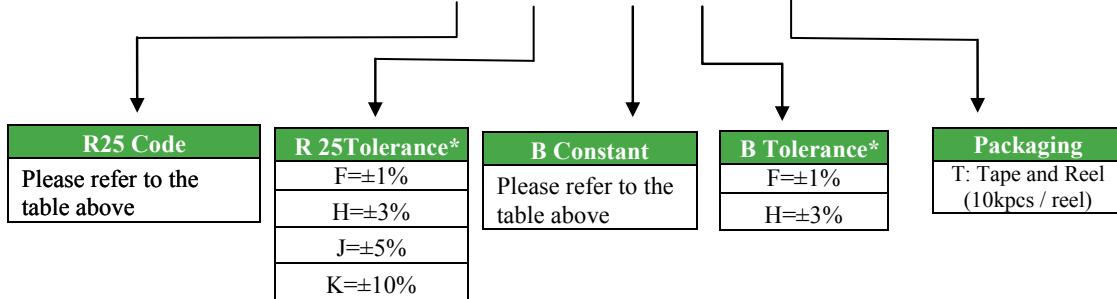
1.0 x 0.5 x 0.5 mm

ELECTRICAL CHARACTERISTICS CURVES



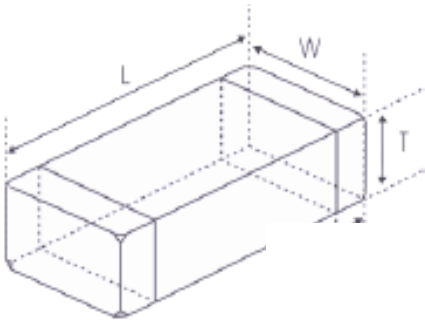
OPTIONS AND PART IDENTIFICATION:

ABNTC-0402- [] [] - [] [] - []



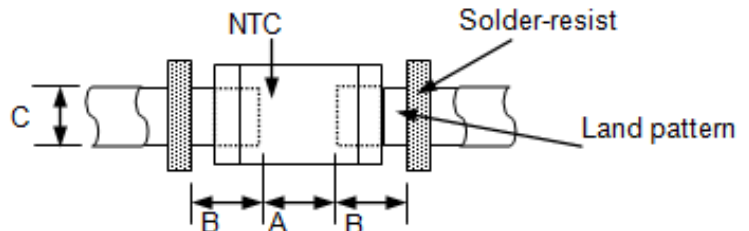
* Please Reference electrical specifications table for available tolerances for each varistor combination.

OUTLINE DIMENSION:



| L | W | T | a |
|----------|----------|----------|----------|
| 1.0±0.15 | 0.5±0.15 | 0.5±0.15 | 0.25±0.1 |

Recommended Land Pattern



| A | B | C |
|-----------|-----------|-----------|
| 0.45~0.55 | 0.40~0.50 | 0.45~0.55 |

Dimension: mm