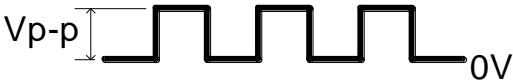
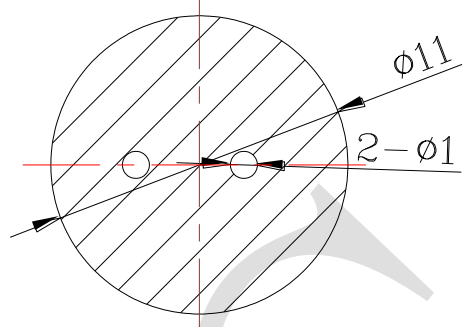
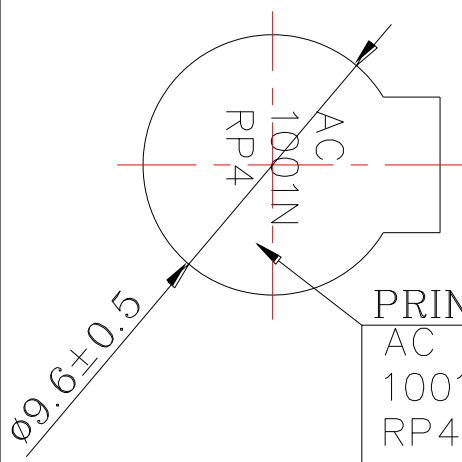


1. SPECIFICATION

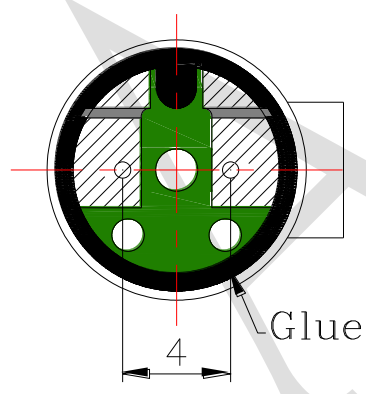
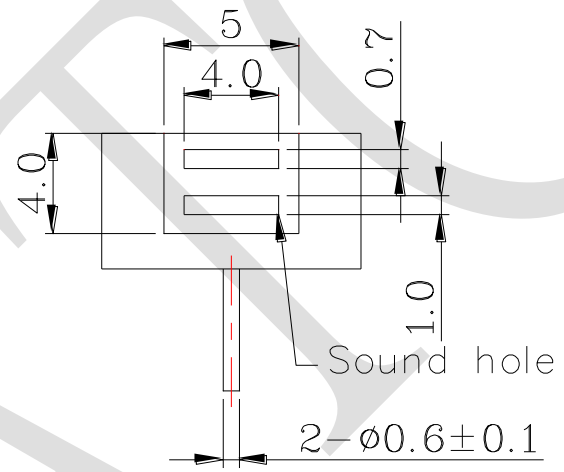
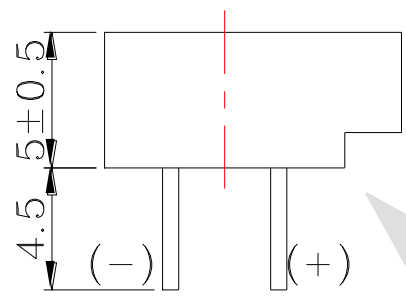
AC-1001N-RP4

ITEM		UNITS	SPECIFICATIONS	CONDITIONS
01	Rated Voltage	V	1.5	
02	Operating Voltage	V	1 ~ 3	
03	Consumption Current	mA Max.	95	Standard state, standard drive circuit. Square wave 1/2 duty.
04	Sound pressure level (Distance at 10cm)	dB(A) Min.	85	Rated voltage, rated frequency.
05	Direct Current Resistance	Ω	5.5 \pm 1	
06	Rated Frequency	Hz	2950	

REV NO.	REVISION NOTE	APPROVAL	DATE
---------	---------------	----------	------



RECOMMEND PCB LAYOUT



RoHS

TITLE: ELECTRO MAGNETIC BUZZER		DRAWN: Moose 2017/06/02	SCALE: 4:1	SHEET: 1 of 1
PART NO. AC-1001N-RP4		DESIGNED: R&D OF AAT	UNITS: mm	TOLERANCE ± 0.5
DWG NO. UGCM0901BPY		CHECKED:	UNLESS OTHERWISE SPECIFIED:	
		APPROVAL:	ONE PLACE DECIMAL \pm ***	
REV 1	MATERIAL: NORYL	TWO PLACE DECIMAL \pm ***		THREE PLACE DECIMAL \pm ***



ADVANCED ACOUSTIC TECHNOLOGY CORPORATION