


1. SPECIFICATION

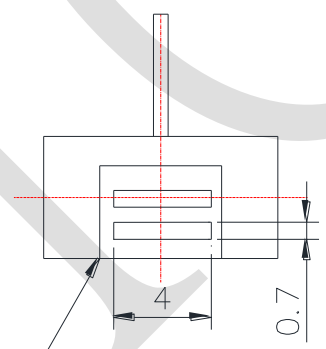
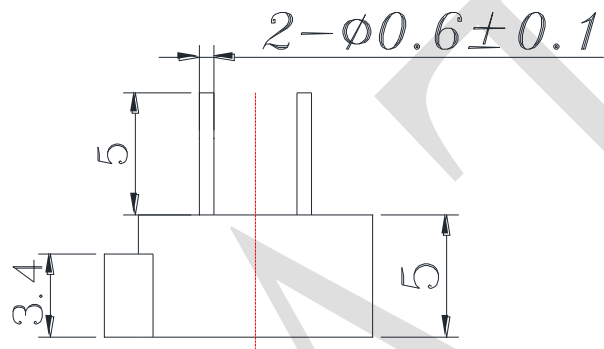
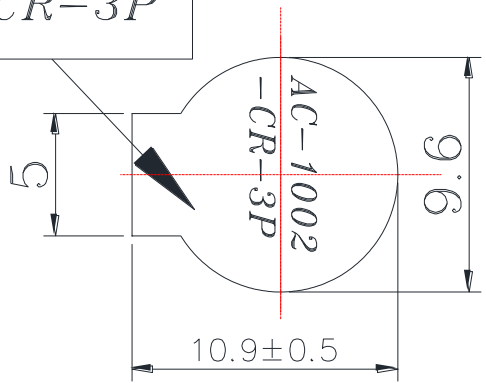
AC-1002-CR-3P

ITEM		UNITS	SPECIFICATIONS	CONDITIONS
01	Rated Voltage	V	1.5	
02	Operating Voltage	V	1 ~ 3	
03	Mean consumption Current	mA Max.	90	Standard state, standard drive circuit. Square wave 1/2 duty.
04	Sound pressure level (Distance at 10cm)	dB(A) Min.	82	Rated voltage, rated frequency.
05	Direct Current Resistance	Ω	5.5 \pm 1	
06	Rated Frequency	Hz	2730	

REV NO.	REVISION NOTE	APPROVAL	DATE
---------	---------------	----------	------

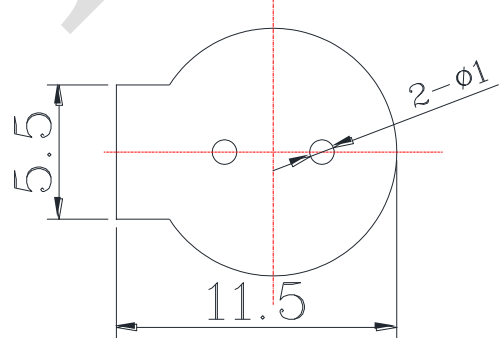
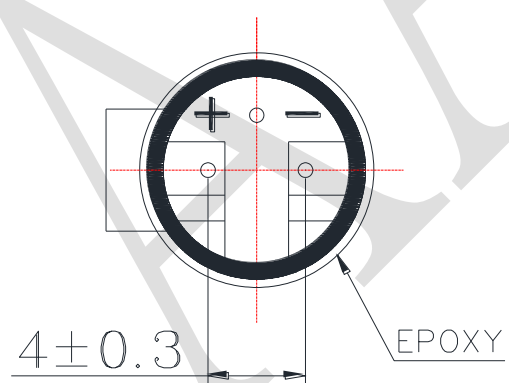
Print

AC-1002
-CR-3P



Sound Hole

RECOMMEND PCB LAYOUT
TOLERANCE ± 0.2



RoHS

TITLE: ELECTRO MAGNETIC BUZZER	DRAWN: Moose 2015/12/9	SCALE: 4:1	SHEET: 1 of 1
PART NO. AC-1002-CR-3P	DESIGNED: R&D OF AAT	UNITS: mm	
DWG NO. BM9650E-0127-5.5	CHECKED:	TOLERANCE ± 0.5	
	APPROVAL:	UNLESS OTHERWISE SPECIFIED:	
REV 1	MATERIAL: NORYL	ONE PLACE DECIMAL ± ***	
		TWO PLACE DECIMAL ± ***	
		THREE PLACE DECIMAL ± ***	



ADVANCED ACOUSTIC TECHNOLOGY CORPORATION