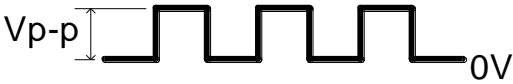
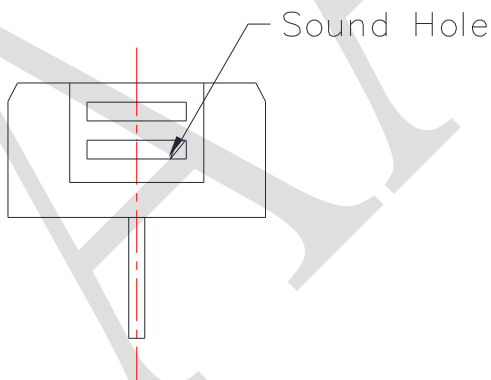
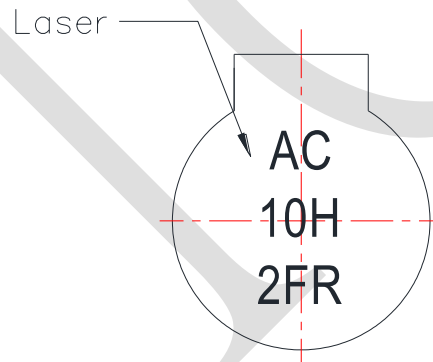
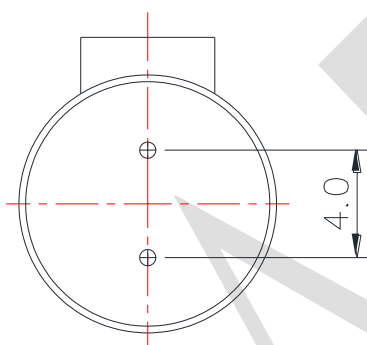
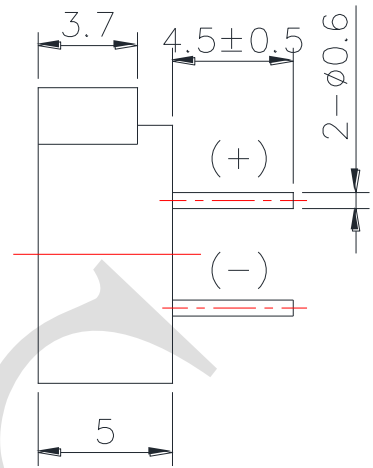
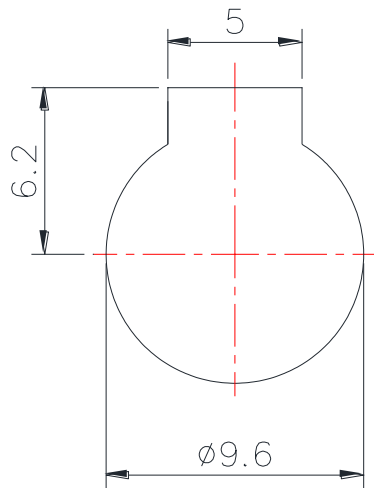


1. SPECIFICATION

AC-10H2FR

ITEM		UNITS	SPECIFICATIONS	CONDITIONS
01	Rated Voltage	V	1.5	 <p>Standard state, standard drive circuit. Square wave 1/2 duty.</p>
02	Operating Voltage	V	1 ~ 3	
03	Consumption Current	mA Max.	80	
04	Sound pressure level (Distance at 10cm)	dB(A) Min.	90	Rated voltage, rated frequency.
05	Direct Current Resistance	Ω	5.5 \pm 1	
06	Rated Frequency	Hz	4000	

REV NO.	REVISION NOTE	APPROVAL	DATE
---------	---------------	----------	------



RoHS

TITLE: ELECTRO MAGNETIC BUZZER		DRAWN: Hank	2020/02/19	SCALE: 4:1	SHEET: 1 of 1
PART NO. AC-10H2FR		DESIGNED: R&D OF AAT	UNITS: mm		
DWG NO. UGCM0901BPF1		CHECKED:	TOLERANCE ± 0.5		
		APPROVAL:	UNLESS OTHERWISE SPECIFIED:		
REV 1		MATERIAL: NORYL	ONE PLACE DECIMAL \pm ***		
			TWO PLACE DECIMAL \pm ***		
			THREE PLACE DECIMAL \pm ***		



ADVANCED ACOUSTIC TECHNOLOGY CORPORATION