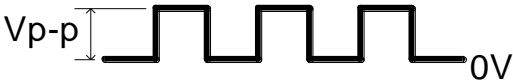
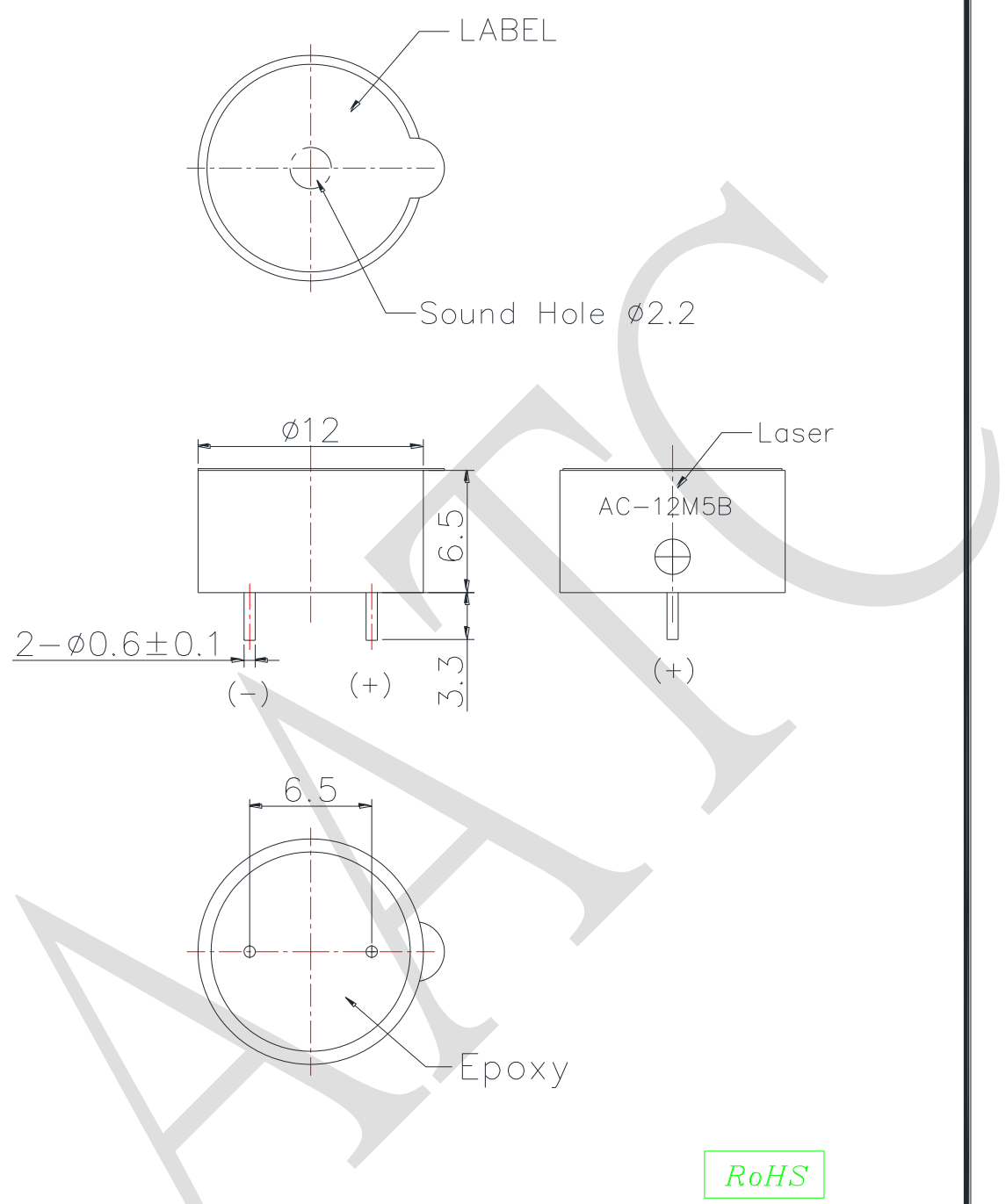


# 1. SPECIFICATION

AC-12M5B

ITEM		UNITS	SPECIFICATIONS	CONDITIONS
01	Rated Voltage	V	5	 <p>V<sub>p-p</sub></p>
02	Operating Voltage	V	3 ~ 8	
03	Consumption Current	mA Max.	55	Standard state, standard drive circuit. Square wave 1/2 duty.
04	Sound pressure level (Distance at 10cm )	dB(A) Min.	85	Rated voltage, rated frequency.
05	Direct Current Resistance	Ω	47 ± 5	
06	Rated Frequency	Hz	2400	

REV NO.	REVISION NOTE	APPROVAL	DATE
---------	---------------	----------	------



TITLE: ELECTRO MAGNETIC BUZZER		DRAWN: Zack	2020/01/03	SCALE: 4:1	SHEET: 1 of 1
PART NO. AC-12M5B		DESIGNED: R&D OF AAT		UNITS: mm	
DWG NO. ****_*****		CHECKED:		TOLERANCE ± 0.5	
		APPROVAL:		UNLESS OTHERWISE SPECIFIED:	
REV 1		MATERIAL: PBT		ONE PLACE DECIMAL ± ***	
				TWO PLACE DECIMAL ± ***	
				THREE PLACE DECIMAL ± ***	



ADVANCED ACOUSTIC TECHNOLOGY CORPORATION