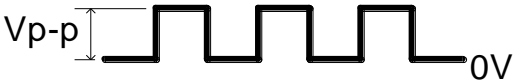
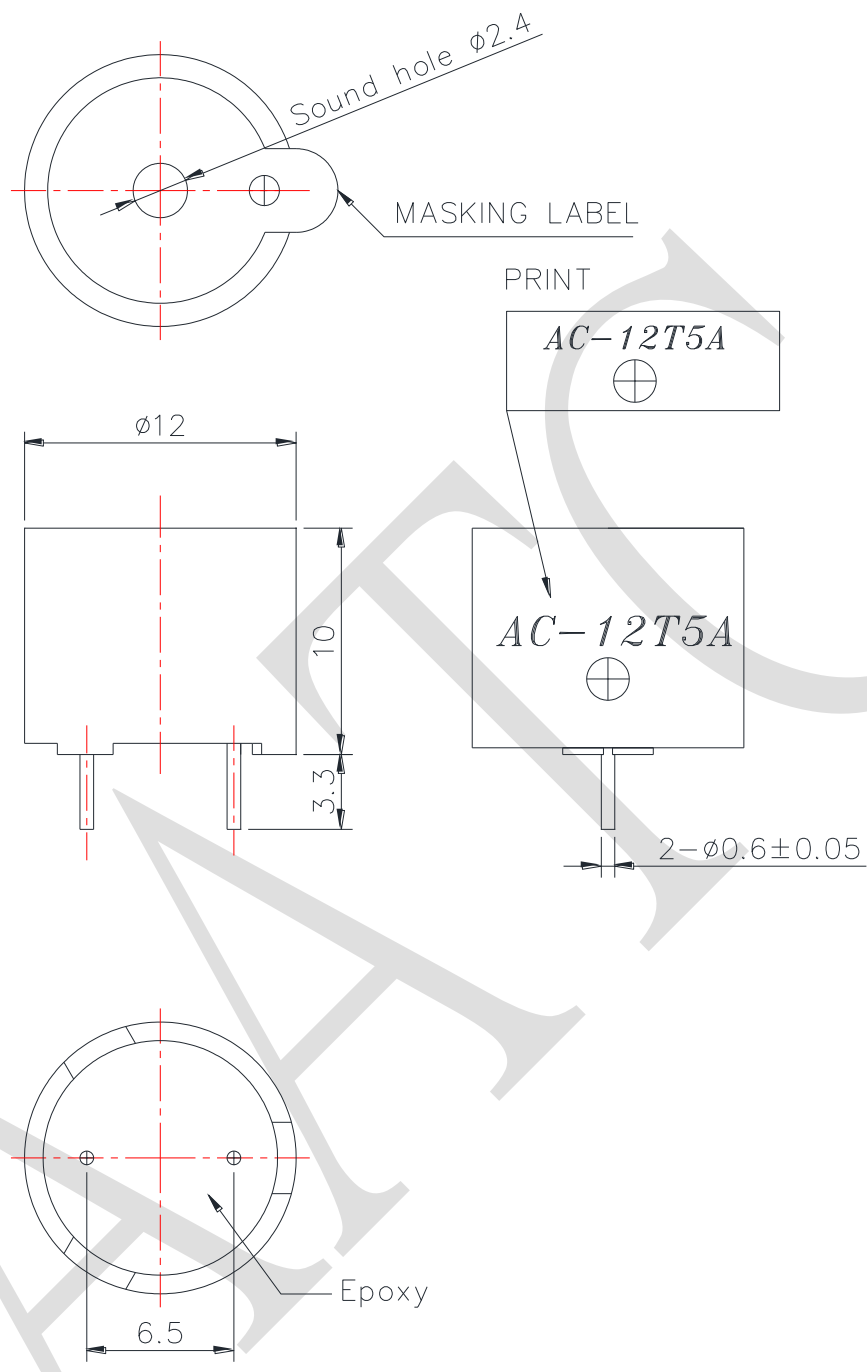


1. SPECIFICATION

AC-12T5A

ITEM		UNITS	SPECIFICATIONS	CONDITIONS
01	Rated Voltage	V	5.0	 <p>Standard state, standard drive circuit. Square wave 1/2 duty.</p>
02	Operating Voltage	V	3.0 ~ 8.0	
03	Consumption Current	mA Max.	100	
04	Sound pressure level (Distance at 10cm)	dB(A) Min.	85	Rated voltage, rated frequency.
05	Direct Current Resistance	Ω	16 \pm 4	
06	Rated Frequency	Hz	2048	

REV NO.	REVISION NOTE	APPROVAL	DATE
---------	---------------	----------	------



RoHS

TITLE: ELECTRO MAGNETIC BUZZER		DRAWN: Hank	2020/02/20	SCALE: 4:1	SHEET: 1 of 1
PART NO. AC-12T5A		DESIGNED: R&D OF AAT	UNITS: mm		
DWG NO. HS-09080501		CHECKED:	TOLERANCE ± 0.5		
		APPROVAL:	UNLESS OTHERWISE SPECIFIED: ONE PLACE DECIMAL \pm *** TWO PLACE DECIMAL \pm *** THREE PLACE DECIMAL \pm ***		
REV	1	MATERIAL: PBT			



ADVANCED ACOUSTIC TECHNOLOGY CORPORATION