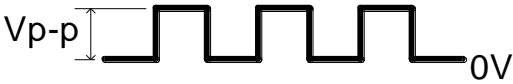
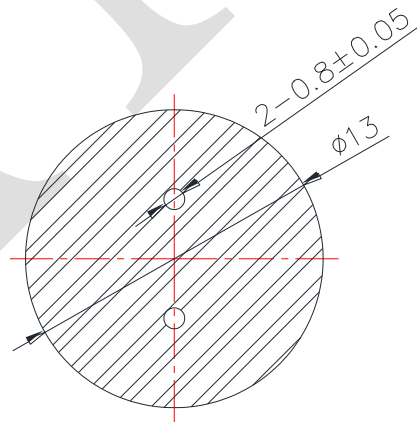
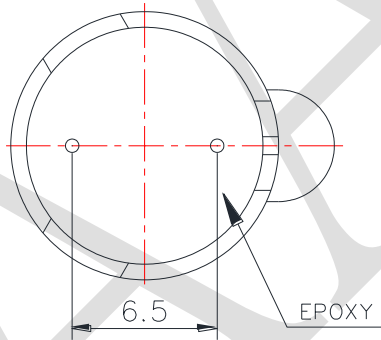
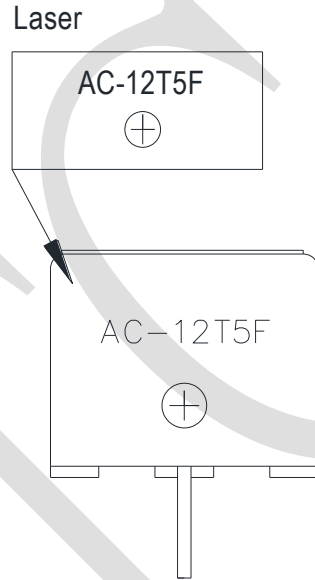
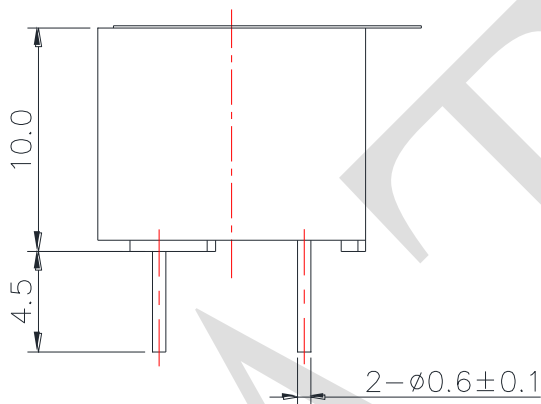
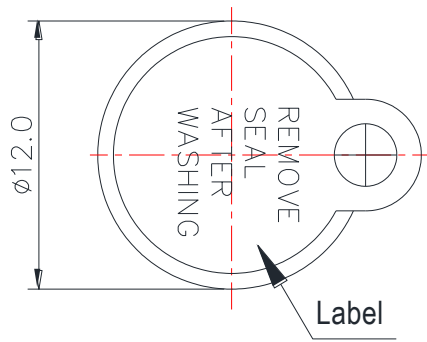


1. SPECIFICATION

AC-12T5F

ITEM		UNITS	SPECIFICATIONS	CONDITIONS
01	Rated Voltage	V	5	 <p>Standard state, standard drive circuit. Square wave 1/2 duty.</p>
02	Operating Voltage	V	3 ~ 8	
03	Consumption Current	mA Max.	100	
04	Sound pressure level (Distance at 10cm)	dB(A) Min.	80	Rated voltage, rated frequency.
05	Direct Current Resistance	Ω	16 \pm 3	
06	Rated Frequency	Hz	4000	

REV NO.	REVISION NOTE	APPROVAL	DATE
---------	---------------	----------	------



Recommended PCB LAYOUT

RoHS

TITLE: ELECTRO MAGNETIC BUZZER		DRAWN: Hank	2020/03/05	SCALE: 4:1	SHEET: 1 of 1
PART NO. AC-12T5F		DESIGNED: R&D OF AAT		UNITS: mm	
DWG NO. UGC12G-05P4.5F1		CHECKED:		TOLERANCE ± 0.5	
		APPROVAL:		UNLESS OTHERWISE SPECIFIED:	
REV 1		MATERIAL: NORYL		ONE PLACE DECIMAL ± ***	
				TWO PLACE DECIMAL ± ***	
				THREE PLACE DECIMAL ± ***	



ADVANCED ACOUSTIC TECHNOLOGY CORPORATION