


1. SPECIFICATION

AC-1612J-PF

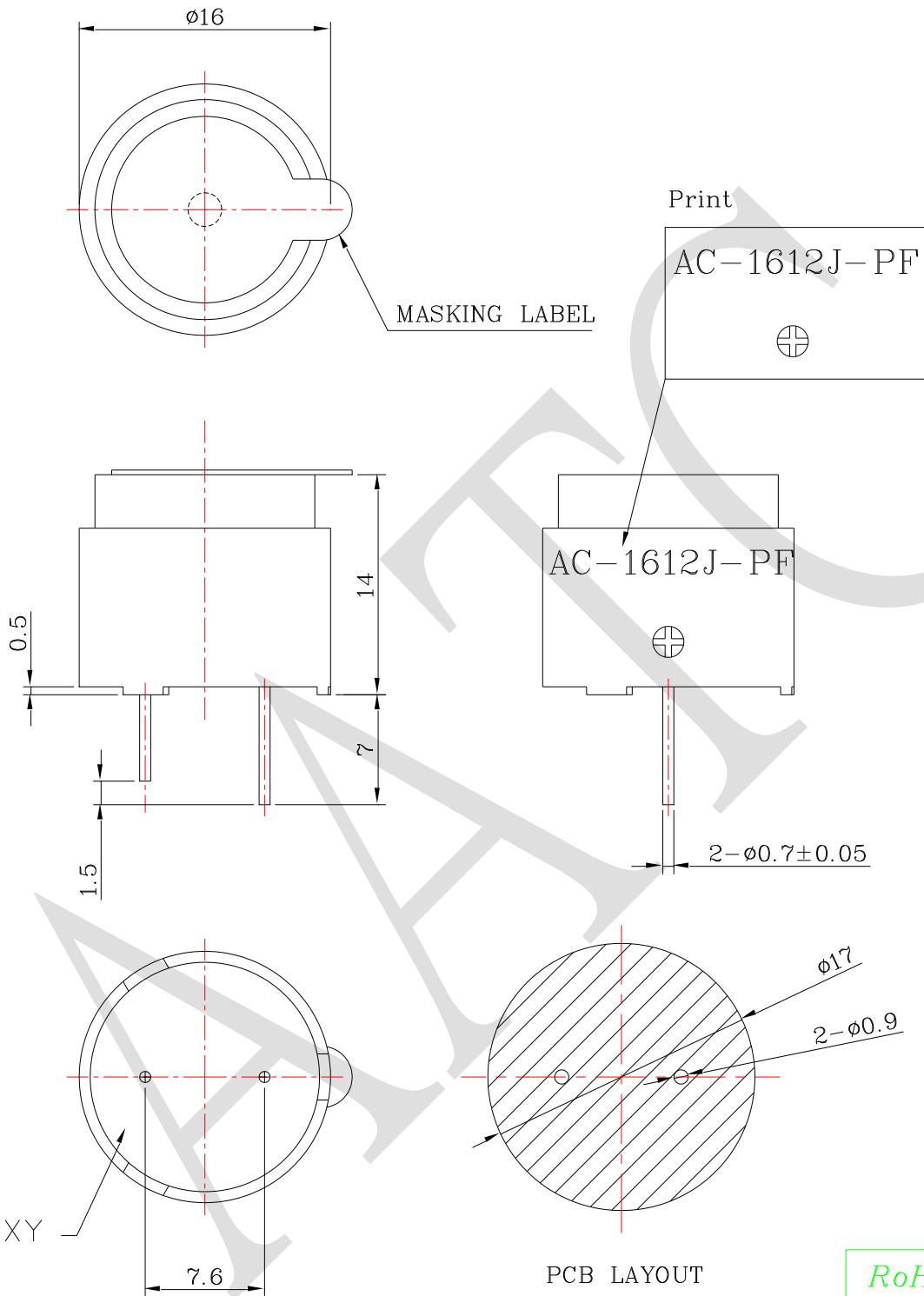
ITEM		UNITS	SPECIFICATIONS	CONDITIONS
01	Rated Voltage	V	12	
02	Operating Voltage	V	9 ~ 15	
03	Consumption Current	mA (Max)	Mean : 50	Applying rated voltage, rated frequency Square wave, 1/2 duty subject to standard state.
			Peak : 150	
04	Direct Current Resistance	Ω	115 ± 12	
05	Sound pressure level (Distance at 10cm)	dBA (Min)	92	Applying rated voltage, rated frequency Square wave, 1/2 duty subject to standard state.
06	Rated Frequency	Hz	2800	

REV NO.

REVISION NOTE

APPROVAL

DATE



RoHS

TITLE: ELECTRO MAGNETIC BUZZER		DRAWN: Zak	2012/10/18	SCALE: 4:1	SHEET: 1 of 1
PART NO. AC-1612J-PF		DESIGNED: R&D OF AAT	UNITS: mm		
DWG NO. UGCM1612APH-92		CHECKED:	TOLERANCE ± 0.5		
		APPROVAL:	UNLESS OTHERWISE SPECIFIED: ONE PLACE DECIMAL \pm *** TWO PLACE DECIMAL \pm *** THREE PLACE DECIMAL \pm ***		
REV	2	MATERIAL: NORYL			



ADVANCED ACOUSTIC TECHNOLOGY CORPORATION