

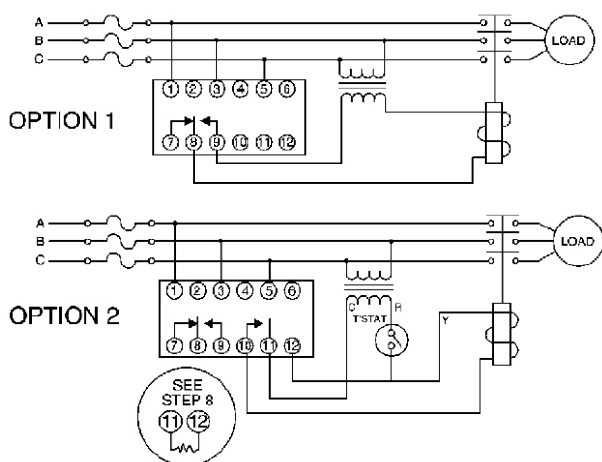
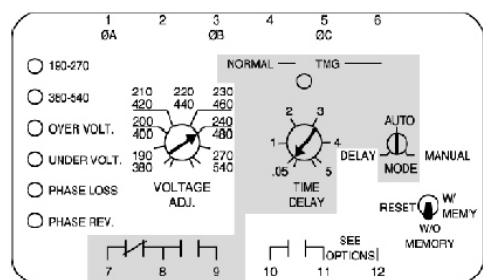
CEUS
E55826

3-Phase Compressor Protector

- Automatic Voltage Ranging
 - Universal Control Voltage
 - Condition/Fault Indicators
 - Automatic/Manual Reset
 - Last Fault Memory
 - Delay-On-Make
 - Delay-On-Break
 - Auxiliary Contacts
 - Easy Installation
- PROTECTS AGAINST:**
- Phase Loss
 - Under Voltage
 - Over Voltage
 - Phase Reversal
 - Short Cycling

ORDERING INFORMATION

MODEL NUMBER	DESCRIPTION
AC-2020	3-Phase Compressor Protector



*See instruction Manual for more information.

The **AC 2020 Compressor Protector** provides multimode **time delays**, **reset** selections and a **memory capability** which indicates using LED's, the last fault condition. This offers not only protection for the compressor in adverse electrical conditions but also a method to readily determine the type of fault occurrence.

OPERATING VOLTAGE

AUTO RANGES

240 VAC	190-270 VAC, Adj., 50/60 Hz
480 VAC	380-540 VAC, Adj., 50/60 Hz

SPECIFICATIONS

CONTROL VOLTAGE 24 or 120 VAC $\pm 10\%$, 50/60 Hz

TRIP POINTS	Under Voltage	-10% of Setting
	Over Voltage	+10% of Setting
	Hysteresis	5% of Nominal Setting

RESPONSE TIMES	Pick-Up	Auto Mode: 0.05 to 5 Min. (Adj) Delay-On-Make Delay Mode: 3 Min. (Fixed) Delay-On-Break
	Drop-Out	Over/Under Voltage, Phase Loss: 2 SEC (Approximately)

POWER REQUIRED <5 VA

MAXIMUM VOLTAGE 550 VAC

PHASE SEQUENCE ABC (Will Not Operate On CBA Sequence)

OUTPUT RATING 9A General Purpose B300 (360VA)

CONFIGURATION Control SPST-N.O.
Auxiliary SPDT

MODE SELECTIONS Automatic; Manual; Delay-On-Break

RESET SWITCH With Memory, Without Memory, Auto Reset, Manual Reset

TRANSIENT WITHSTAND 1500 V @ 8X 20 Microseconds

TEMPERATURE RATING Operate -4° to 131°F (-20° to +55°C)
Storage -40° to 185°F (-40° to +85°C)

ENCLOSURE Style "E" Lexan® Surface Mounted

TERMINATIONS (12) #8-32 Screw Terminals

WEIGHT 6 oz.