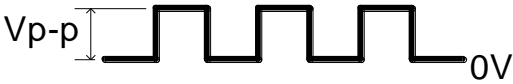
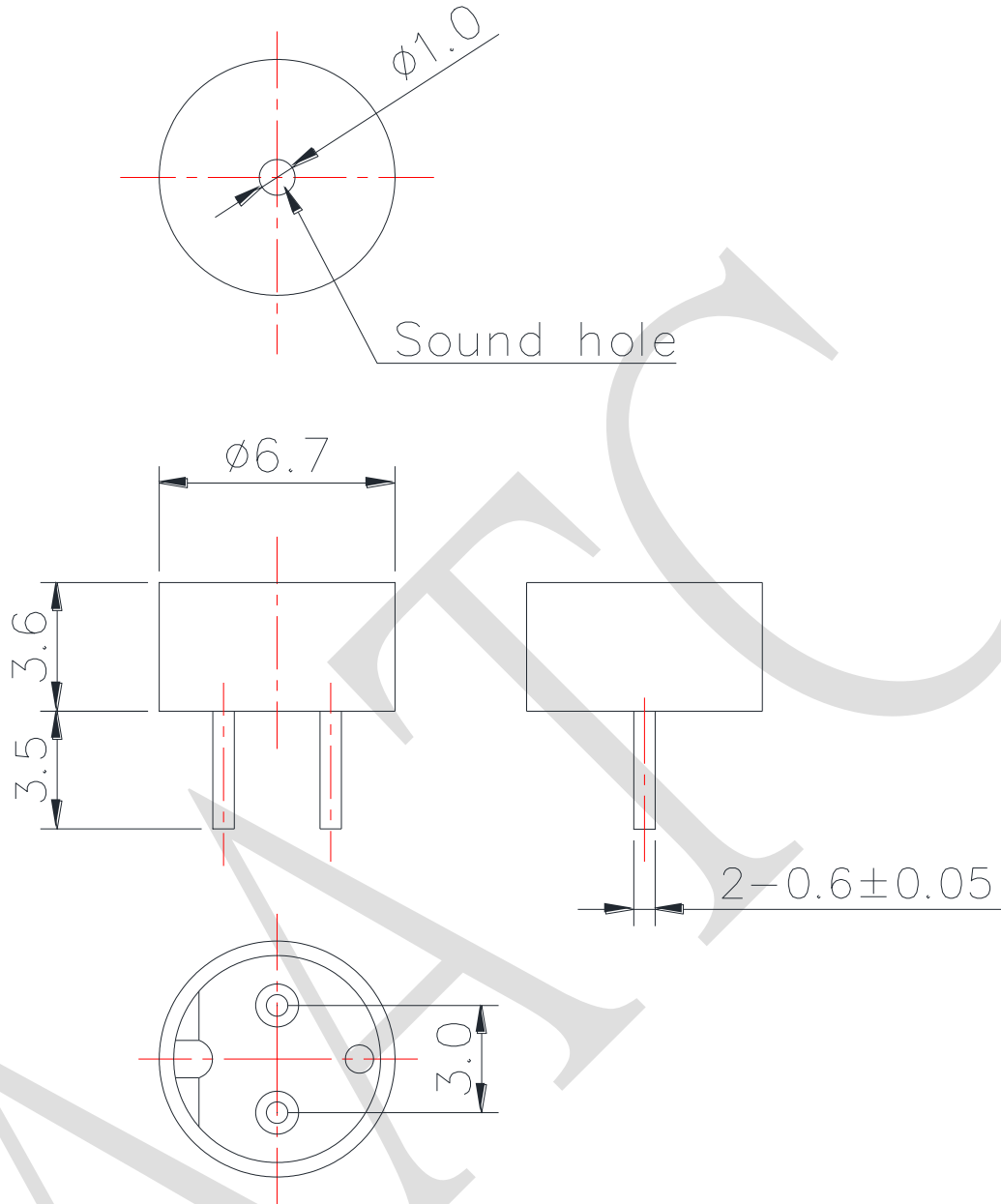


# 1. SPECIFICATION

AC-701R-P1-LF

ITEM		UNITS	SPECIFICATIONS	CONDITIONS
01	Rated Voltage	V	1.5	 <p>Standard state, standard drive circuit. Square wave 1/2 duty.</p>
02	Operating Voltage	V	1.0 ~ 3.0	
03	Consumption Current	mA Max.	210	
04	Sound pressure level (Distance at 10cm )	dB(A) Min.	65	Rated voltage, rated frequency.
05	Direct Current Resistance	$\Omega$	$8\pm 1$	
06	Rated Frequency	Hz	3100	

REV NO.	REVISION NOTE	APPROVAL	DATE
---------	---------------	----------	------



RoHS

TITLE: ELECTRO MAGNETIC BUZZER		DRAWN: Hank	2019/10/05	SCALE: 4:1	SHEET: 1 of 1
PART NO. AC-701R-P1-LF		DESIGNED: R&D OF AAT	UNITS: mm		
DWC NO. UGCM0601APE-65		CHECKED:	TOLERANCE $\pm 0.5$		
3		APPROVAL:	UNLESS OTHERWISE SPECIFIED:		
REV		MATERIAL: NORYL	ONE PLACE DECIMAL $\pm$ ***		
			TWO PLACE DECIMAL $\pm$ ***		
			THREE PLACE DECIMAL $\pm$ ***		



ADVANCED ACOUSTIC TECHNOLOGY CORPORATION