


1. SPECIFICATION

AC-903Q-RPA

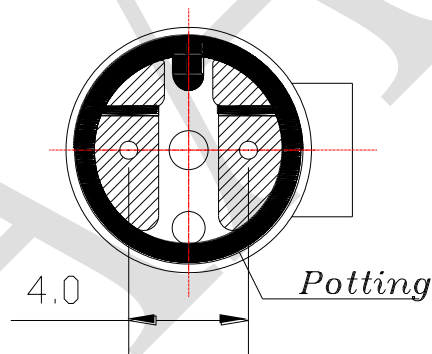
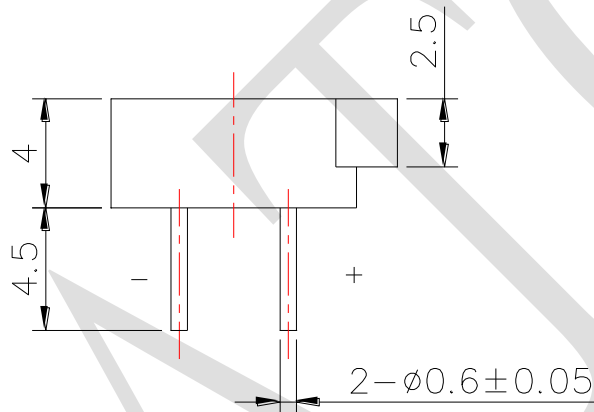
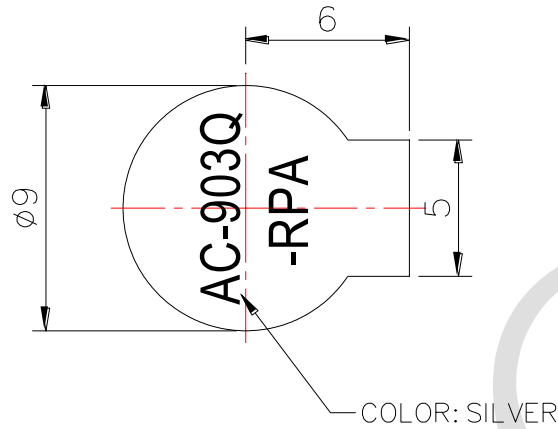
ITEM		UNITS	SPECIFICATIONS	CONDITIONS
01	Rated Voltage	V	3.0	
02	Operating Voltage	V	2.0 ~ 4.0	
03	Mean consumption Current	mA Max.	70	Standard state, standard drive circuit. Square wave 1/2 duty.
04	Sound pressure level (Distance at 10cm)	dB(A) Min.	85	Rated voltage, rated frequency.
05	Direct Current Resistance	Ω	15 \pm 3	
06	Rated Frequency	Hz	2731	

REV NO.

REVISION NOTE

APPROVAL

DATE



RoHS

TITLE: ELECTRO MAGNETIC BUZZER		DRAWN: Zack	2015/10/16	SCALE: 4:1	SHEET: 1 of 1
PART NO. AC-903Q-RPA		DESIGNED: R&D OF AAT		UNITS: mm	
DWG NO. UGCM0903DPD		CHECKED:		TOLERANCE ± 0.5	
		APPROVAL:		UNLESS OTHERWISE SPECIFIED:	
REV 3		MATERIAL: NORYL		ONE PLACE DECIMAL \pm ***	
				TWO PLACE DECIMAL \pm ***	
				THREE PLACE DECIMAL \pm ***	



ADVANCED ACOUSTIC TECHNOLOGY CORPORATION