
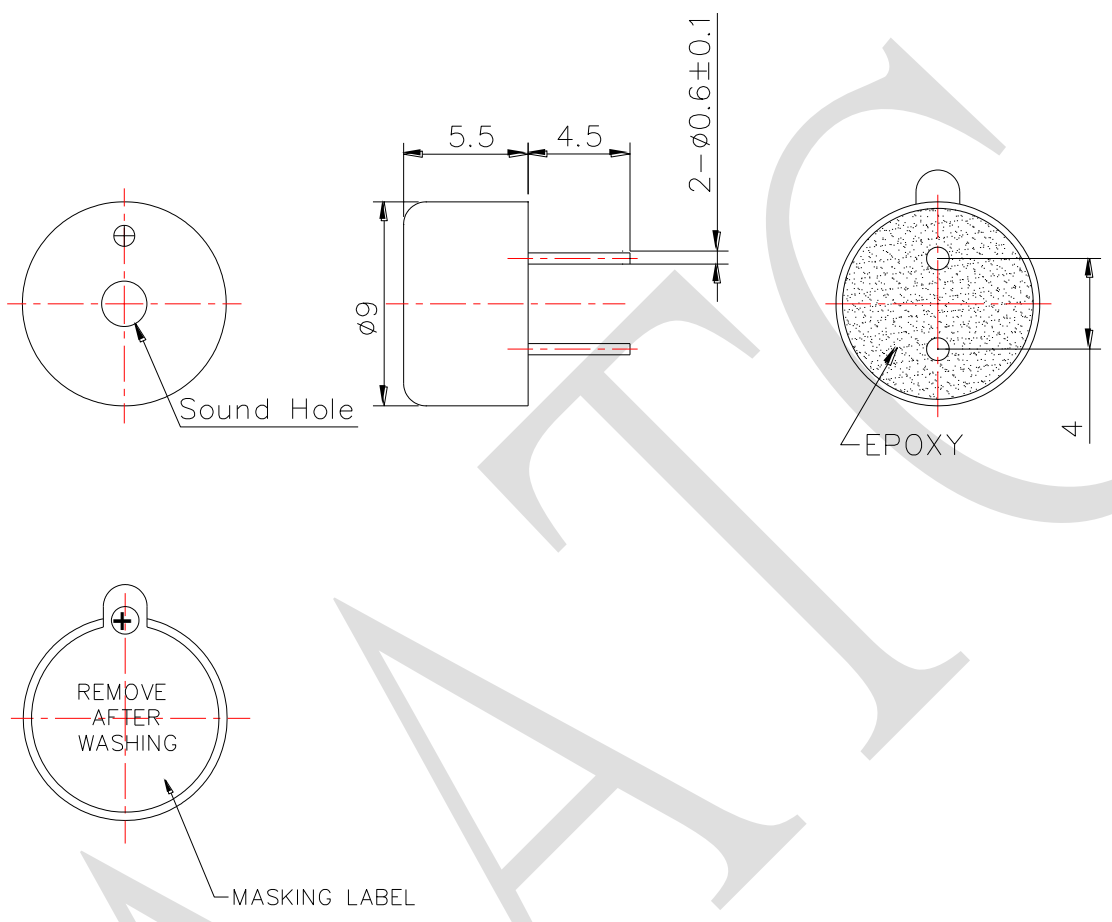


# 1. SPECIFICATION

AC-903X-PD-LF

ITEM		UNITS	SPECIFICATIONS	CONDITIONS
01	Rated Voltage	V	3	
02	Operating Voltage	V	2 ~ 4	
03	Consumption Current	mA (Max)	Mean : 60	Standard state, standard drive circuit. Rated voltage, rated frequency, Square wave 1/2 duty.
			Peak : 180	
04	Sound pressure level (Distance at 10cm )	dB(A) (Min)	85	
05	Direct Current Resistance	$\Omega$	$25 \pm 3$	
06	Rated Frequency	Hz	2731	

REV NO.	REVISION NOTE	APPROVAL	DATE
---------	---------------	----------	------



RoHS

TITLE: ELECTRO MAGNETIC BUZZER		DRAWN: <b>Zack</b>	2014/10/14	SCALE: 4:1	SHEET: 1 of 1
PART NO. AC-903X-PD-LF		DESIGNED: R&D OF AAT	UNITS: mm		
DWG NO. UGCM0903EPD		CHECKED:	TOLERANCE $\pm 0.5$		
		APPROVAL:	UNLESS OTHERWISE SPECIFIED: ONE PLACE DECIMAL $\pm$ *** TWO PLACE DECIMAL $\pm$ *** THREE PLACE DECIMAL $\pm$ ***		
REV 2		MATERIAL: *****			



ADVANCED ACOUSTIC TECHNOLOGY CORPORATION