

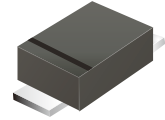
## ACDBMS240-HF Thru. ACDBMS2100-HF

Reverse Voltage: 40 to 100 Volts

Forward Current: 2.0 Amp

RoHS Device

Halogen Free

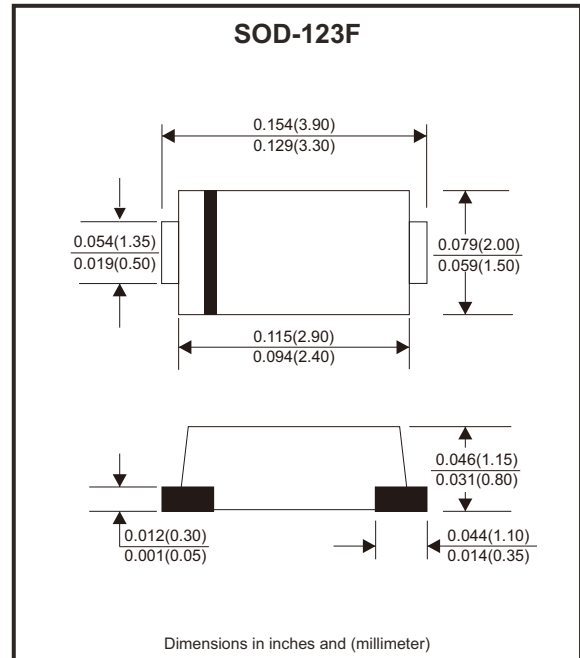


### Features

- Ideal for surface mount applications.
- Easy pick and place.
- Built-in strain relief.
- Fast switching speed.
- AEC-Q101 Qualified

### Mechanical data

- Epoxy: UL 94V-0 rated flame retardant.
- Case: SOD-123F, molded plastic.
- Terminals: Lead Free Plating (Tin Finish)  
Solderable per MIL-STD-202, method 208.
- Polarity: Indicated by cathode band.
- Weight: 0.022 grams (approx.).



### Circuit diagram



### Maximum Ratings (at TA=25°C unless otherwise noted)

Parameter	Symbol	ACDBMS240-HF	ACDBMS260-HF	ACDBMS2100-HF	Unit
Max. Repetitive peak reverse voltage	V <sub>RRM</sub>	40	60	100	V
Max. RMS voltage	V <sub>RMS</sub>	28	42	70	V
Max. DC blocking voltage	V <sub>DC</sub>	40	60	100	V
Max. Average forward rectified current	I <sub>F</sub>	2			A
Peak forward surge current, 8.3ms single half sine-wave superimposed on rated load (JEDEC methode)	I <sub>FSM</sub>	40			A
Max. Instantaneous forward voltage I <sub>F</sub> =2A @TA=25°C	V <sub>F</sub>	0.52	0.66	0.83	V
Max. DC reverse current @TA=25°C at Rated DC blocking voltage @TA=100°C	I <sub>R</sub>	0.5 30		0.2 15	mA
Typical junction capacitance (Note 1)	C <sub>J</sub>	180	95	60	pF
Typical thermal resistance	R <sub>θJC</sub>	35			°C/W
Operating temperature range	T <sub>J</sub>	-55 to +125		-55 to +150	°C
Storage temperature range	T <sub>STG</sub>	-55 to +150			°C

Note: 1. Measured at 1.0MHZ and applied reverse voltage of 4V DC.

Company reserves the right to improve product design , functions and reliability without notice.

## Rating and Characteristic Curves (ACDBMS240-HF Thru. ACDBMS2100-HF)

Fig.1 - Typical Forward Current Derating Curve

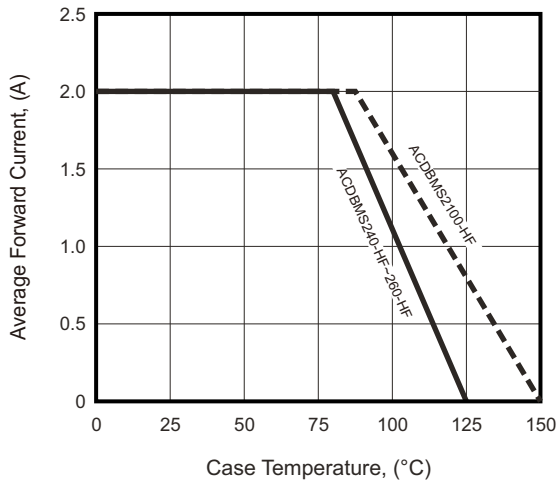


Fig.2 - Typical Forward Characteristics

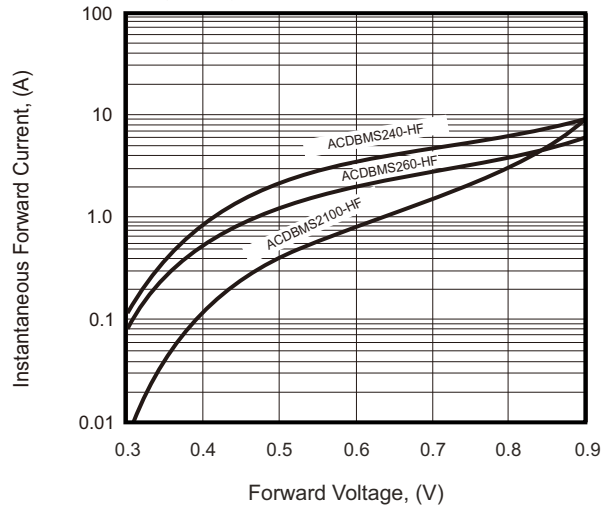


Fig.3 - Maximum Non-repetitive Forward Surge Current

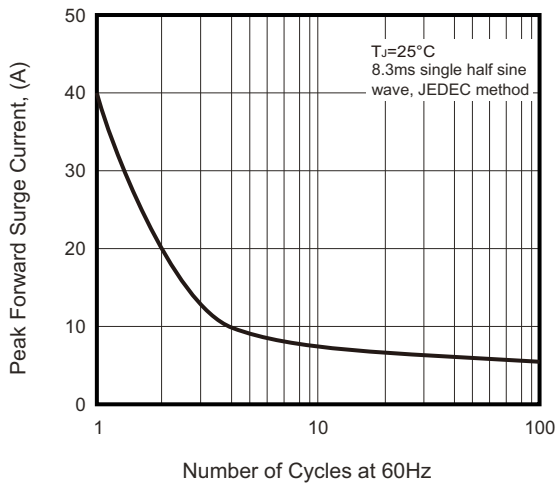


Fig.4 - Typical Reverse Characteristics

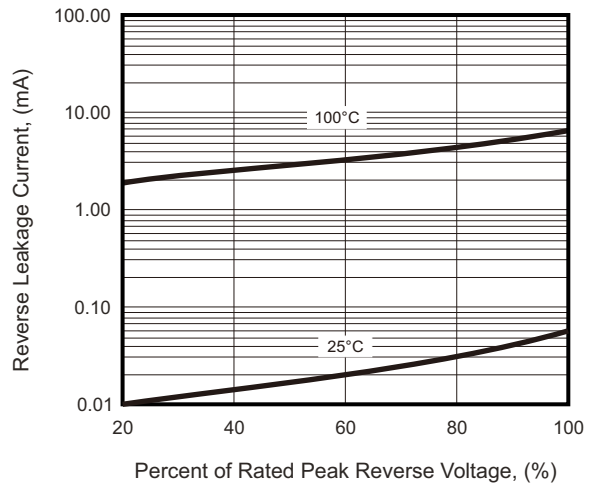
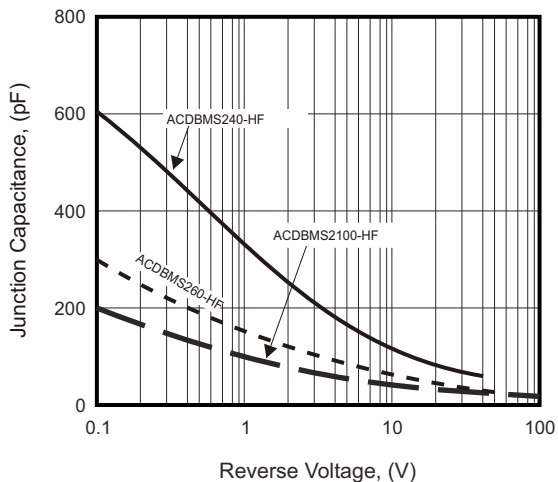
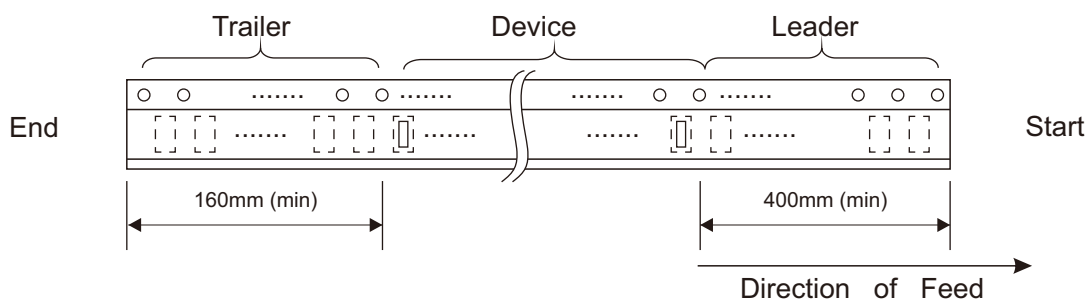
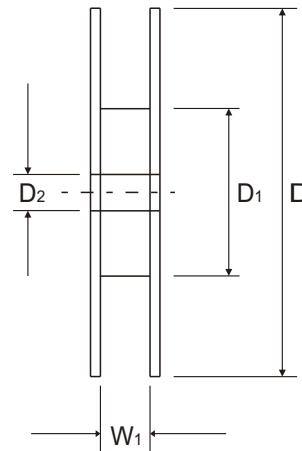
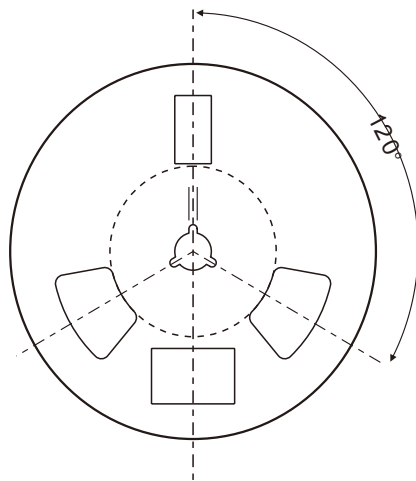
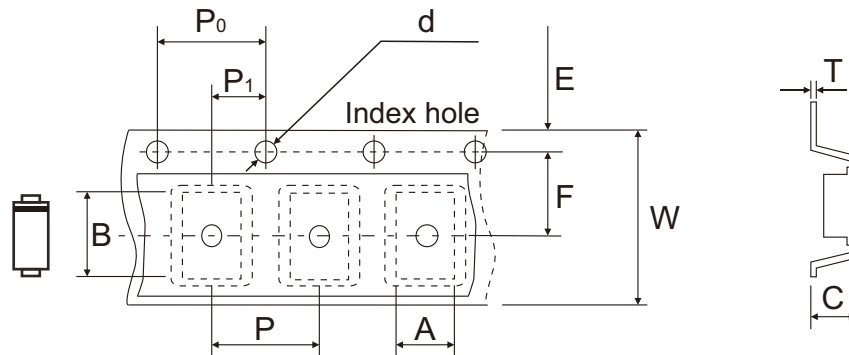


Fig.5 - Typical Junction Capacitance



Company reserves the right to improve product design, functions and reliability without notice.

## Reel Taping Specification



SOD-123F	SYMBOL	A	B	C	d	D	D <sub>1</sub>	D <sub>2</sub>
	(mm)		2.05 ± 0.10	4.01 ± 0.10	1.32 ± 0.10	2.00 ± 0.10	178 Max.	50 Min.
	(inch)	0.081 ± 0.004	0.158 ± 0.004	0.052 ± 0.004	0.079 ± 0.004	7.008 Max.	1.969 Min.	0.524 ± 0.039

SOD-123F	SYMBOL	E	F	P	P <sub>0</sub>	P <sub>1</sub>	T	W	W <sub>1</sub>
	(mm)		1.75 ± 0.10	3.50 ± 0.10	4.00 ± 0.10	4.00 ± 0.10	2.00 ± 0.05	0.24 ± 0.03	8.00 ± 0.30
	(inch)	0.069 ± 0.004	0.138 ± 0.004	0.157 ± 0.004	0.157 ± 0.004	0.079 ± 0.002	0.009 ± 0.001	0.315 ± 0.012	0.366 ± 0.039

Company reserves the right to improve product design, functions and reliability without notice.

REV:A