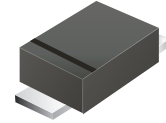


ACGRMS4007-HF

Reverse Voltage: 1000 Volts
Forward Current: 1.0 Amp
RoHS Device
Halogen Free

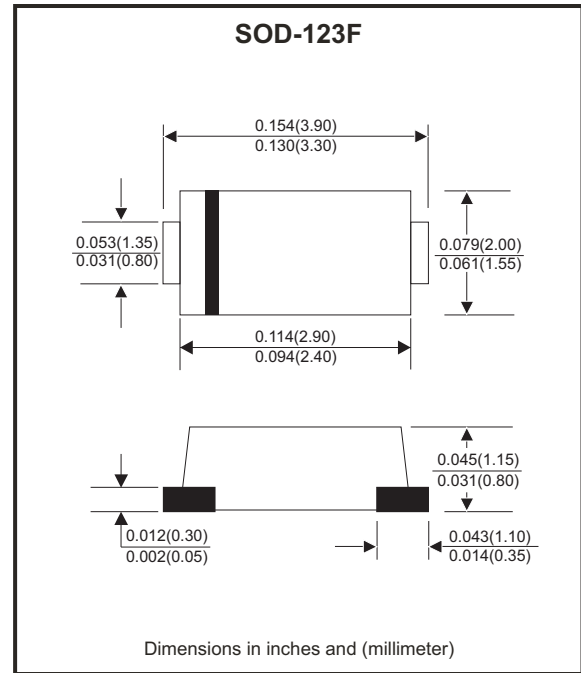


Features

- Glass Passivation Junction.
- High current capability.
- High surge current capability.
- Low reverse current.
- Comply with AEC-Q101

Mechanical data

- Case: SOD-123F, molded plastic.
- Epoxy: UL flammability classification rate 94V-0.
- Terminals: Lead free plating (Tin finish).
 Solderable per MIL-STD-202, Method 208.
- Polarity: Indicated by cathode band.
- Weight: 0.022 grams(approx.).



Circuit diagram



Maximum Ratings (at TA=25°C unless otherwise noted)

Parameter	Symbol	ACGRMS4007-HF	Units
Max. repetitive peak reverse voltage	V_{RRM}	1000	V
Max. DC blocking voltage	V_{DC}	1000	V
Max. RMS voltage	V_{RMS}	700	V
Peak forward surge current, 8.3ms single half sine-wave superimposed on rated load (JEDEC method)	I_{FSM}	30	A
Max. average forward rectified current	I_F	1.0	A
Max. instantaneous forward voltage $I_F=1.0A @ 25^\circ C$	V_F	1.1	V
Max. DC reverse current at rated	I_R	10	μA
DC blocking voltage	I_R	100	
Typical junction capacitance (Note 1)	C_J	10	pF
Typical thermal resistance	$R_{\theta JC}$	50	$^\circ C/W$
Operating temperature range	T_J	-55 to +150	$^\circ C$
Storage temperature range	T_{STG}	-55 to +150	$^\circ C$

Notes: 1. Measured at 1.0MHZ and applied reverse voltage of 4.0V DC.

Company reserves the right to improve product design , functions and reliability without notice.

REV: A

Rating and Characteristic Curves (ACGRMS4007-HF)

Fig.1 - Typical Forward Current Derating Curve

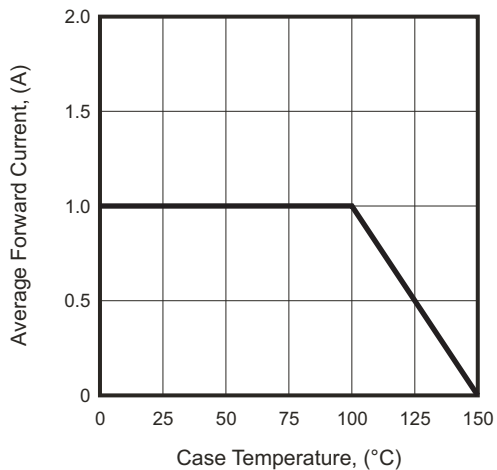


Fig.2 - Typical Forward Characteristics

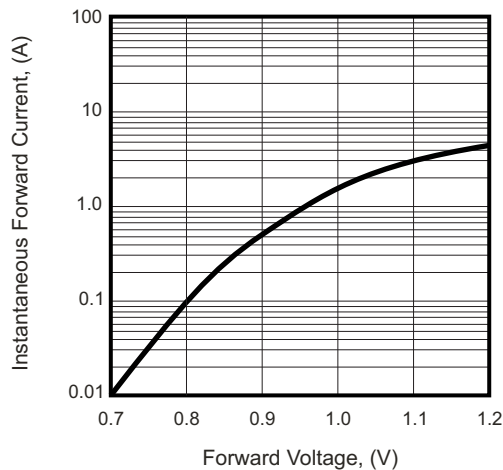


Fig.3 - Maximum Non-repetitive Forward Surge Current

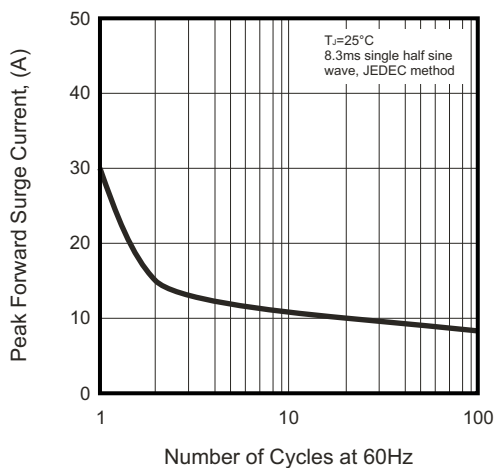


Fig.4 - Typical Reverse Characteristics

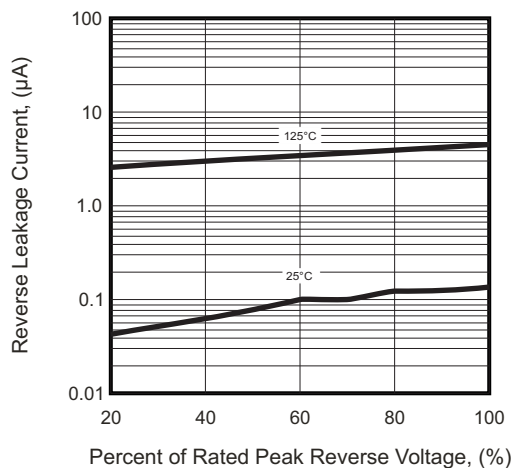
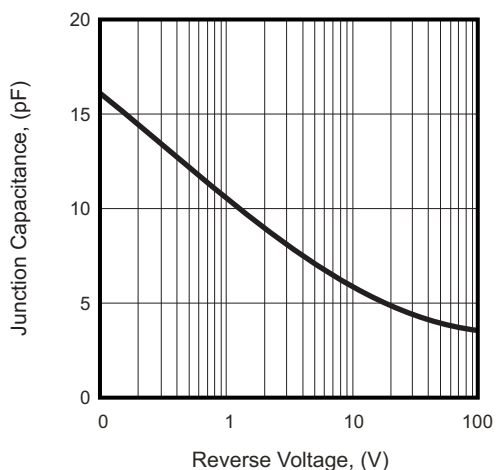


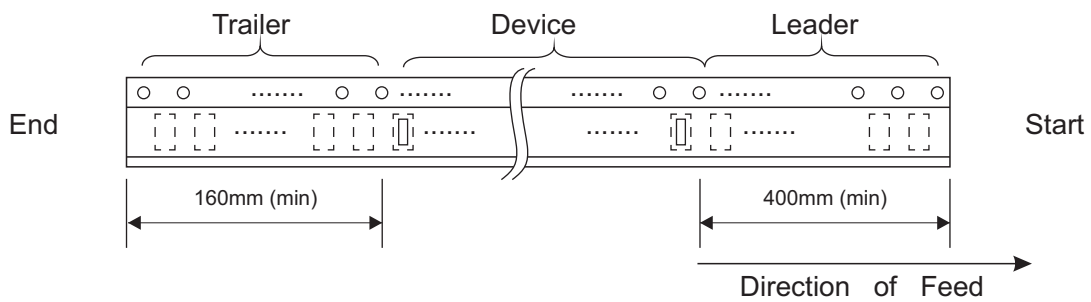
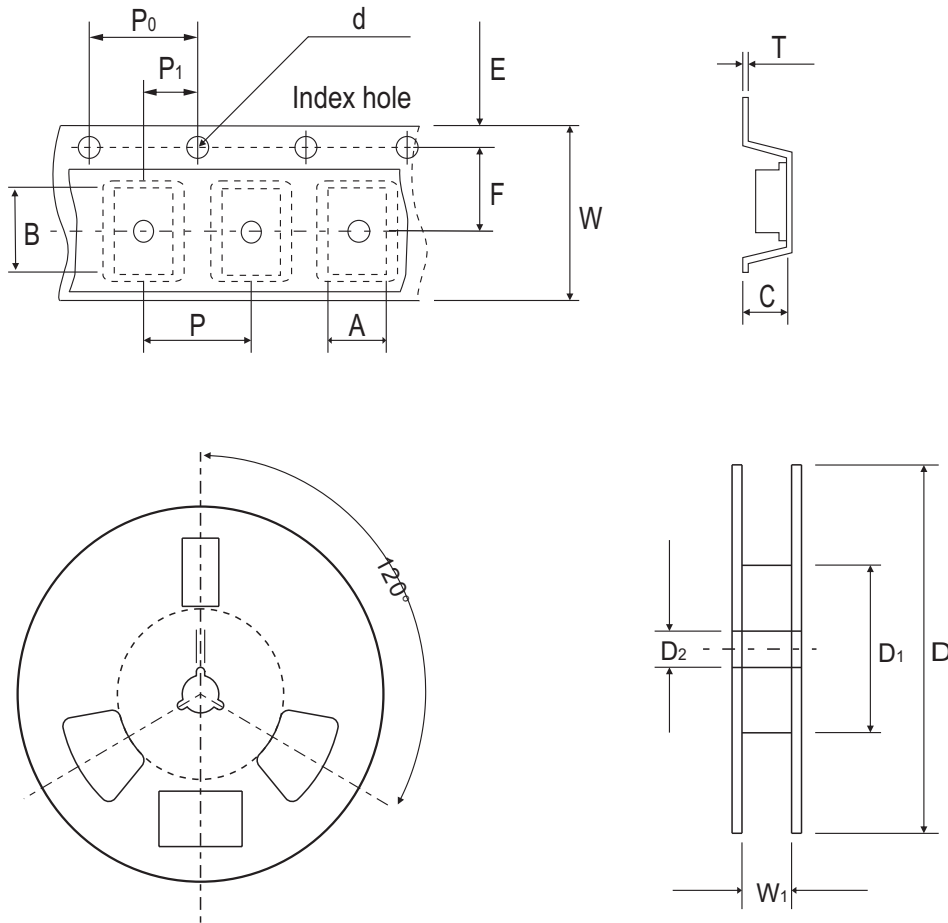
Fig.5 - Typical Junction Capacitance



Company reserves the right to improve product design, functions and reliability without notice.

REV: A

Reel Taping Specification



SOD-123F	SYMBOL	A	B	C	d	D	D1	D2
	(mm)	1.90 ± 0.10	4.01 ± 0.10	1.32 ± 0.10	1.50 ± 0.10	178 Max.	60.30 ± 1.00	13.30 ± 0.10
	(inch)	0.075 ± 0.004	0.158 ± 0.004	0.052 ± 0.004	0.059 ± 0.004	7.00 Max.	2.374 ± 0.039	0.524 ± 0.004

SOD-123F	SYMBOL	E	F	P	P0	P1	W	W1
	(mm)	1.75 ± 0.10	3.50 ± 0.05	4.00 ± 0.10	4.00 ± 0.10	2.00 ± 0.05	8.00 + 0.30 - 0.10	9.30 ± 1.00
	(inch)	0.069 ± 0.004	0.138 ± 0.002	0.158 ± 0.004	0.158 ± 0.004	0.079 ± 0.002	0.315 + 0.012 - 0.004	0.366 ± 0.039

Company reserves the right to improve product design, functions and reliability without notice.

REV: A