

# ACNT-H87B, ACNT-H87A, ACNT-H870

## Precision Optically Isolated Voltage Sensor in a 15-mm Stretched SO-8 Package

### Overview

The ACNT-H87B/H87A/H870 voltage sensors are optical isolation amplifiers designed specifically for voltage sensing. Its 2V input range and high 1-GW input impedance makes it well suited for isolated voltage sensing requirements in electronic power converters applications including motor drives and renewable energy systems. In a typical voltage sensing implementation, a resistive voltage divider is used to scale the DC-link voltage to suit the input range of the voltage sensor. A differential output voltage that is proportional to the input voltage is created on the other side of the optical isolation barrier.

For general applications, the ACNT-H87A ( $\pm 1\%$  gain tolerance) and the ACNT-H870 ( $\pm 3\%$  gain tolerance) are recommended. For high precision requirements, the ACNT-H87B ( $\pm 0.5\%$  gain tolerance) can be used. The ACNT-H87B/H87A/H870 family operates from a single 5V supply and provides excellent linearity. An active-high shutdown pin is available, which reduces the  $I_{DD1}$  current to only 15  $\mu\text{A}$ , making them suitable for battery-powered and other power-sensitive applications.

The high common-mode transient immunity (15 kV/ $\mu\text{s}$ ) of the ACNT-H87B/H87A/H870 provides the precision and stability needed to accurately monitor DC-link voltage in high noise environments. Combined with superior optical coupling technology, the ACNT-H87B/H87A/H870 implements sigma-delta ( $\Sigma-\Delta$ ) modulation, chopper stabilized amplifiers, and differential outputs to provide unequalled isolation-mode noise rejection, low offset, high gain accuracy and stability. This performance is delivered in a compact, auto-insertable 15-mm Stretched SO-8 (SSO-8) package that meets worldwide regulatory safety standards.

**CAUTION!** It is advised that normal static precautions be taken in handling and assembly of this component to prevent damage and/or degradation which may be induced by ESD.

### Features

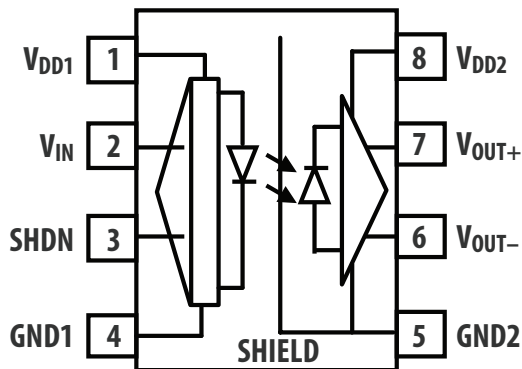
- Advanced sigma-delta ( $\Sigma-\Delta$ ) modulation technology
- Unity gain 1V/V,  $\pm 0.5\%$  high gain accuracy (ACNT-H87B)
- 1 G $\Omega$  input impedance
- 0 to 2V nominal input range
- $-35$  ppm/ $^{\circ}\text{C}$  low gain drift
- 21  $\mu\text{V}/^{\circ}\text{C}$  offset voltage drift
- 0.1% non-linearity maximum
- Active-high shutdown pin
- 100 kHz wide bandwidth
- 3V to 5.5V wide supply range for output side
- $-40^{\circ}\text{C}$  to  $+110^{\circ}\text{C}$  operating temperature range
- 15 kV/ $\mu\text{s}$  common-mode transient immunity
- Compact, auto-insertable 15-mm Stretched SO-8 package
- Safety and regulatory approvals:
  - IEC/EN/DIN EN 60747-5-5: 2262  $V_{\text{peak}}$  working insulation voltage
  - UL 1577: 7500  $V_{\text{rms}}$ /1 min double protection rating
  - CSA: Component Acceptance Notice #5

### Applications

- Isolated voltage sensing in AC and servo motor drives
- Isolated DC-bus voltage sensing in solar inverters, wind turbine inverters
- Isolated sensor interfaces
- Signal isolation in data acquisition systems
- General-purpose voltage isolation

## Functional Diagram

Figure 1: Functional Diagram



**NOTE:** A 0.1- $\mu$ F bypass capacitor must be connected between pins 1 and 4 and between pins 5 and 8.

## Pin Description

| Pin No. | Symbol | Description   |
|---------|--------|---|
| 1       | VDD1   | Supply voltage for input side (4.5V to 5.5V), relative to GND1  |
| 2       | VIN    | Voltage input   |
| 3       | SHDN   | Shutdown pin (Active High)                                      |
| 4       | GND1   | Input side ground   |
| 5       | GND2   | Output side ground  |
| 6       | VOUT-  | Negative output   |
| 7       | VOUT+  | Positive output   |
| 8       | VDD2   | Supply voltage for output side (3V to 5.5V), referenced to GND2 |

## Ordering Information

ACNT-H87B/H87A/H870 is UL recognized with 7500  $V_{rms}$ /1 minute rating per UL 1577.

| Part Number            | Option (RoHS Compliant) | Package              | Surface Mount | Tape and Reel | IEC/EN/DIN EN 60747-5-5 | Quantity      |
|------------------------|-------------------------|----------------------|---------------|---------------|-------------------------|---------------|
| ACNT-H87B              | -000E                   | 15-mm Stretched SO-8 | X             | —             | X                       | 80 per tube   |
| ACNT-H87A<br>ACNT-H870 | -500E                   |                      | X             | X             | X                       | 1000 per reel |

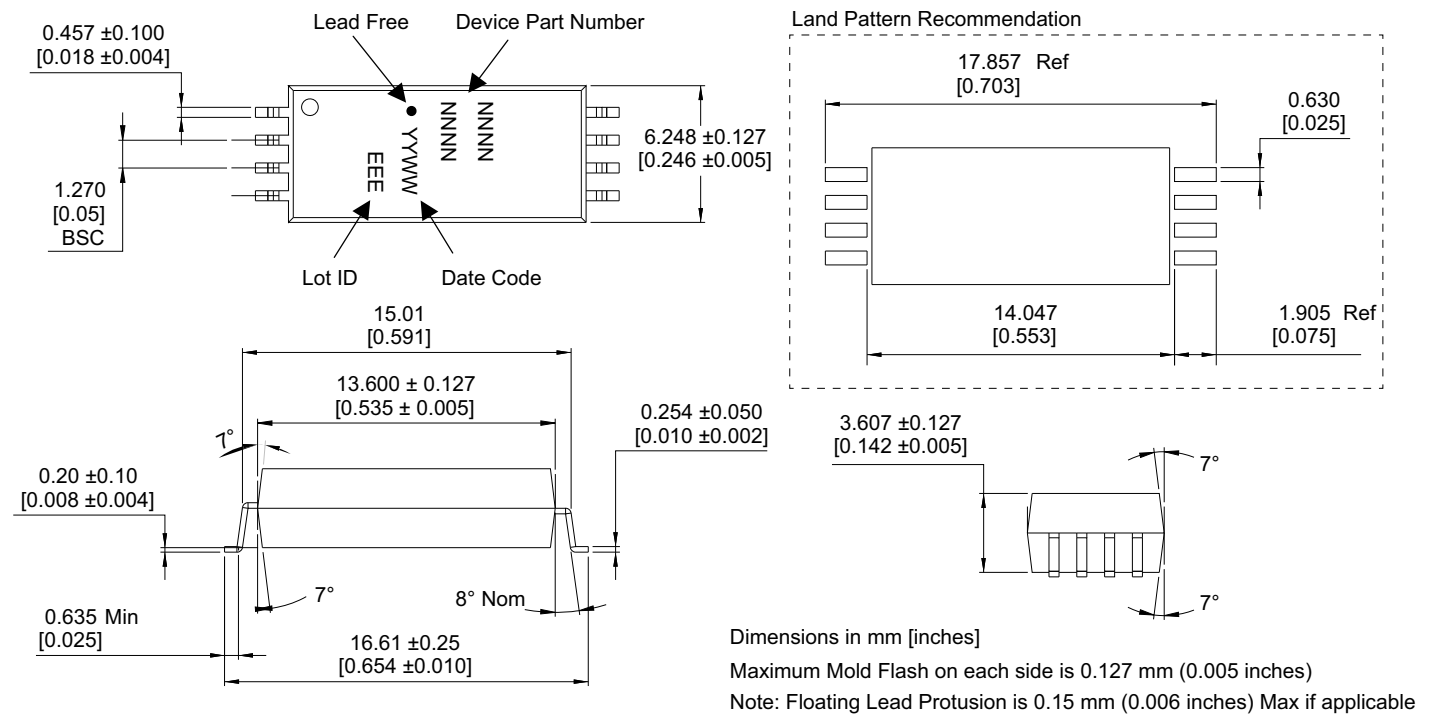
To order, choose a part number from the part number column and combine with the desired option from the option column to form an order entry.

**Example:** ACNT-H87A-500E to order product of Surface Mount package in Tape and Reel packaging with IEC/EN/DIN EN 60747-5-5 Safety Approval and RoHS compliance.

Contact your Broadcom sales representative or authorized distributor for information.

# Package Outline Drawing

Figure 2: 15-mm Stretched SO-8 Package



## Recommended Pb-Free IR Profile

Recommended reflow condition as per JEDEC Standard, J-STD-020 (latest revision). Non-Halide Flux should be used.

## Regulatory Information

The ACNT-H87B/H87A/H870 is approved by the following organizations:

|                         |   |
|-------------------------|---|
| IEC/EN/DIN EN 60747-5-5 | Approval with Maximum Working Insulation Voltage VIORM = 2262V <sub>peak</sub> .                            |
| UL                      | Approval under UL 1577, component recognition program up to VISO = 7500V <sub>rms</sub> /1 min. File 55361. |
| CSA                     | Approval under CSA Component Acceptance Notice #5, File CA 88324  |

## Insulation and Safety Related Specifications

| Parameter   | Symbol | Value | Unit | Conditions  |
|---|--------|-------|------|---|
| Minimum External Air Gap (External Clearance)     | L(101) | 14.2  | mm   | Measured from input terminals to output terminals, shortest distance through air  |
| Minimum External Tracking (External Creepage)     | L(102) | 15.0  | mm   | Measured from input terminals to output terminals, shortest distance path along body  |
| Minimum Internal Plastic Gap (Internal Clearance) | —      | 0.5   | mm   | Through insulation distance, conductor to conductor, usually the direct distance between the photoemitter and photodetector inside the optocoupler cavity |
| Tracking Resistance (Comparative Tracking Index)  | CTI    | >300  | V    | DIN IEC 112/VDE 0303 Part 1   |
| Isolation Group                                   | —      | IIIa  | —    | Material Group (DIN VDE 0110, 1/89, Table 1)  |

## EC/EN/DIN EN 60747-5-5 Insulation Characteristics

| Description  | Symbol                | Value                                | Unit              |
|--|-----------------------|--------------------------------------|-------------------|
| Installation classification per DIN VDE 0110/1.89, Table 1<br>for rated mains voltage 150V <sub>rms</sub><br>for rated mains voltage 399V <sub>rms</sub><br>for rated mains voltage 450V <sub>rms</sub><br>for rated mains voltage 600V <sub>rms</sub><br>for rated mains voltage 1000V <sub>rms</sub> | —                     | I-IV<br>I-IV<br>I-IV<br>I-IV<br>I-IV | —                 |
| Climatic Classification  | —                     | 55/110/21                            | —                 |
| Pollution Degree (DIN VDE 0110/1.89)   | —                     | 2                                    | —                 |
| Maximum Working Insulation Voltage (Pending Qualification)   | V <sub>IORM</sub>     | 2262                                 | V <sub>peak</sub> |
| Input to Output Test Voltage, Method b<br>V <sub>IORM</sub> × 1.875 = V <sub>PR</sub> , 100% Production Test with t <sub>m</sub> = 1s, Partial Discharge < 5 pC  | V <sub>PR</sub>       | 4242                                 | V <sub>peak</sub> |
| Input to Output Test Voltage, Method a<br>V <sub>IORM</sub> × 1.6 = V <sub>PR</sub> , Type and Sample Test, t <sub>m</sub> = 10s, Partial Discharge < 5 pC   | V <sub>PR</sub>       | 3619                                 | V <sub>peak</sub> |
| Highest Allowable Overvoltage (Transient Overvoltage, t <sub>ini</sub> = 60 sec)   | V <sub>IOTM</sub>     | 12,000                               | V <sub>peak</sub> |
| Safety-limiting values (Maximum values allowed in the event of a failure)  |                       |                                      |                   |
| Case Temperature   | T <sub>S</sub>        | 175                                  | °C                |
| Input Current [2]  | I <sub>S,INPUT</sub>  | 230                                  | mA                |
| Output Power [2]   | P <sub>S,OUTPUT</sub> | 600                                  | mW                |
| Insulation Resistance at T <sub>S</sub> , V <sub>IO</sub> = 500V   | R <sub>S</sub>        | ≥10 <sup>9</sup>                     | W                 |

**NOTE:** Insulation characteristics are guaranteed only within the safety maximum ratings, which must be ensured by protective circuits within the application.

## Absolute Maximum Ratings

| Parameter                                       | Symbol               | Min.          | Max.            | Unit |
|---|----------------------|---------------|-----------------|------|
| Storage Temperature                             | $T_S$                | -55           | +125            | °C   |
| Ambient Operating Temperature                   | $T_A$                | -40           | +110            | °C   |
| Supply Voltage                                  | $V_{DD1}, V_{DD2}$   | -0.5          | 6.0             | V    |
| Steady-State Input Voltage <sup>a b</sup>       | $V_{IN}$             | -2            | $V_{DD1} + 0.5$ | V    |
| Two-Second Transient Input Voltage <sup>c</sup> | $V_{IN}$             | -6            | $V_{DD1} + 0.5$ | V    |
| Logic Input                                     | $V_{SD}$             | -0.5          | $V_{DD1} + 0.5$ | V    |
| Output Voltages                                 | $V_{OUT+}, V_{OUT-}$ | -0.5          | $V_{DD2} + 0.5$ | V    |
| Lead Solder Temperature                         |                      | 260°C for 10s |                 |      |

- a. DC voltage of up to -2V on the inputs does not cause latch-up or damage to the device.
- b. Absolute maximum DC current on the inputs = 100 mA, no latch-up or device damage occurs.
- c. Transient voltage of 2 seconds up to -6V on the inputs does not cause latch-up or damage to the device.

## Recommended Operating Conditions

| Parameter                        | Symbol    | Min.            | Max.      | Unit |
|----------------------------------|-----------|-----------------|-----------|------|
| Ambient Operating Temperature    | $T_A$     | -40             | +110      | °C   |
| $V_{DD1}$ Supply Voltage         | $V_{DD1}$ | 4.5             | 5.5       | V    |
| $V_{DD2}$ Supply Voltage         | $V_{DD2}$ | 3.0             | 5.5       | V    |
| Input Voltage Range <sup>a</sup> | $V_{IN}$  | 0               | 2.0       | V    |
| Shutdown Enable Voltage          | $V_{SD}$  | $V_{DD1} - 0.5$ | $V_{DD1}$ | V    |

- a. 2V is the nominal input range. Full scale input range (FSR) is 2.46V.

## Electrical Specifications

Unless otherwise noted,  $T_A = -40^\circ\text{C}$  to  $+110^\circ\text{C}$ ,  $V_{DD1} = 4.5\text{V}$  to  $5.5\text{V}$ ,  $V_{DD2} = 3.3\text{V}$  to  $5.5\text{V}$ ,  $V_{IN} = 0\text{V} - 2\text{V}$ , and  $V_{SD} = 0\text{V}$ .

| Parameter  | Symbol            | Min.           | Typ. <sup>a</sup>  | Max.  | Unit                         | Test Conditions   | Note | Figure                 |
|--|-------------------|----------------|--------------------|-------|------------------------------|---|------|------------------------|
| <b>DC Characteristics</b>                        |                   |                |                    |       |                              |   |      |                        |
| Input Offset Voltage                             | $V_{OS}$          | -9.9           | -0.3               | 9.9   | mV                           | $T_A = 25^\circ\text{C}$  | —    | Figure 3,<br>Figure 4  |
| Magnitude of Input Offset Change vs. Temperature | $ dV_{OS}/dT_A $  | —              | 21                 | —     | $\mu\text{V}/^\circ\text{C}$ | $T_A = -40^\circ\text{C}$ to $+110^\circ\text{C}$ ; Direct short across inputs. | —    | Figure 5               |
| Gain (ACNT-H87B, $\pm 0.5\%$ )                   | G0                | 0.995          | 1                  | 1.005 | V/V                          | $T_A = 25^\circ\text{C}$ ;<br>$V_{DD2} = 5\text{V}$ ;                           | b    | Figure 6,<br>Figure 7  |
|  |                   | 0.994          | 0.999              | 1.004 | V/V                          | $T_A = 25^\circ\text{C}$ ;<br>$V_{DD2} = 3.3\text{V}$                           | b    | Figure 6,<br>Figure 7  |
| Gain (ACNT-H87A, $\pm 1\%$ )                     | G1                | 0.99           | 1                  | 1.01  | V/V                          | $T_A = 25^\circ\text{C}$  | b    | Figure 6,<br>Figure 7  |
| Gain (ACNT-H870, $\pm 3\%$ )                     | G3                | 0.97           | 1                  | 1.03  | V/V                          | $T_A = 25^\circ\text{C}$  | b    | Figure 6,<br>Figure 7  |
| Magnitude of Gain Change vs. Temperature         | $dG/dT_A$         | —              | -35                | —     | ppm/ $^\circ\text{C}$        | $T_A = -40^\circ\text{C}$ to $+110^\circ\text{C}$                               | —    | Figure 8               |
| Nonlinearity                                     | NL                | —              | 0.05               | 0.1   | %                            | $V_{IN} = 0\text{V}$ to $2\text{V}$ ,<br>$T_A = 25^\circ\text{C}$               | —    | Figure 9,<br>Figure 10 |
| Magnitude of NL Change vs. Temperature           | $ dNL/dT_A $      | —              | 0.0002             | —     | %/ $^\circ\text{C}$          | $T_A = -40^\circ\text{C}$ to $+110^\circ\text{C}$                               | —    | Figure 11              |
| <b>Inputs and Outputs</b>                        |                   |                |                    |       |                              |   |      |                        |
| Recommended Input Range                          | VINR              | —              | 2                  | —     | V                            | Referenced to GND1  | —    | —                      |
| Full-Scale Differential Voltage Input Range      | FSR               | —              | 2.46               | —     | V                            | Referenced to GND1  | —    | —                      |
| Shutdown Logic Low Input Voltage                 | $V_{IL}$          | —              | 0.8                | —     | —                            | $T_A = 25^\circ\text{C}$  | —    | —                      |
| Shutdown Logic High Input Voltage                | $V_{IH}$          | $V_{DD} - 0.5$ | 5                  | —     | —                            | $T_A = 25^\circ\text{C}$  | —    | —                      |
| Input Bias Current                               | IIN               | -0.1           | -0.0015            | —     | $\mu\text{A}$                | $V_{IN} = 0\text{V}$  | —    | —                      |
| Magnitude of $I_{IN}$ Change vs. Temperature     | $dI_{IN}/dT_A$    | —              | 1                  | —     | nA/ $^\circ\text{C}$         | —   | —    | —                      |
| Equivalent Input Impedance                       | $R_{IN}$          | —              | 1000               | —     | M $\Omega$                   | —   | —    | —                      |
| Output Common-Mode Voltage                       | $V_{OCM}$         | —              | 1.23               | —     | V                            | $V_{OUT+}$ or $V_{OUT-}$  | —    | —                      |
| Output Voltage Range                             | $V_{OUTR}$        | —              | $V_{OCM} \pm 1.23$ | —     | V                            | $V_{SD} = 0\text{V}$  | c    | Figure 13              |
| Output Short-Circuit Current                     | $ I_{OSCL} $      | —              | 30                 | —     | mA                           | $V_{OUT+}$ or $V_{OUT-}$ ,<br>shorted to GND2 or $V_{DD2}$                      | —    | —                      |
| Output Resistance                                | $R_{OUT}$         | —              | 36                 | —     | $\Omega$                     | $V_{OUT+}$ or $V_{OUT-}$  | —    | —                      |
| <b>AC Characteristics</b>                        |                   |                |                    |       |                              |   |      |                        |
| $V_{OUT}$ Noise                                  | $N_{out}$         | —              | 1.3                | —     | mV <sub>rms</sub>            | $V_{IN} = 2\text{V}$ ; BW = 1 kHz   | —    | Figure 12              |
| Small-Signal Bandwidth (-3 dB)                   | $f_{-3\text{dB}}$ | 70             | 100                | —     | kHz                          | Guaranteed by design  | —    | —                      |

| Parameter                          | Symbol     | Min.       | Typ. <sup>a</sup> | Max. | Unit              | Test Conditions   | Note        | Figure    |           |
|------------------------------------|------------|------------|-------------------|------|-------------------|---|-------------|-----------|-----------|
| Input to Output Propagation Delay  | 50% to 10% | $t_{PD10}$ | —                 | 2.2  | 3.0               | $\mu\text{s}$   | Step input. | —         | Figure 18 |
|                                    | 50% to 50% | $t_{PD50}$ | —                 | 3.7  | 5.5               | $\mu\text{s}$   | Step input. | —         | Figure 18 |
|                                    | 50% to 90% | $t_{PD90}$ | —                 | 5.3  | 6.5               | $\mu\text{s}$   | Step input. | —         | Figure 18 |
| Output Rise/Fall Time (10% to 90%) | $t_{R/F}$  | —          | 2.7               | 4.0  | $\mu\text{s}$     | Step input ( $t_{PD90} - t_{PD10}$ )  | —           | —         |           |
| Shutdown Delay                     | $t_{SD}$   | —          | 25                | 40   | $\mu\text{s}$     | $V_{IN} = 2V$   | —           | Figure 17 |           |
| Enable Delay                       | $t_{ON}$   | —          | 150               | 200  | $\mu\text{s}$     | —   | —           | —         |           |
| Common Mode Transient Immunity     | CMTI       | 10         | 15                | —    | kV/ $\mu\text{s}$ | $V_{CM} = 1\text{ kV}$ , $T_A = 25^\circ\text{C}$                           | —           | —         |           |
| Power Supply Rejection             | PSR        | —          | -78               | —    | dB                | 1 V <sub>pp</sub> 1 kHz sine wave ripple on $V_{DD1}$ , differential output | —           | —         |           |
| <b>Power Supplies</b>              |            |            |                   |      |                   |   |             |           |           |
| Input Side Supply Current          | $I_{DD1}$  | —          | 10.5              | 15   | mA                | $V_{SD} = 0V$   | —           | —         |           |
|                                    |            | —          | 15                | —    | $\mu\text{A}$     | $V_{SD} = 5V$   | —           | —         |           |
|                                    | $I_{DD2}$  | —          | 6.5               | 12   | mA                | 5V supply   | —           | —         |           |
|                                    |            | —          | 6.1               | 11   | mA                | 3.3V supply   | —           | —         |           |

- a. All Typical values are under typical operating conditions at  $T_A = 25^\circ\text{C}$ ,  $V_{DD1} = 5V$ ,  $V_{DD2} = 5V$ .
- b. Gain is defined as the slope of the best-fit line of differential output voltage ( $V_{OUT+} - V_{OUT-}$ ) versus input voltage over the nominal range, with offset error adjusted.
- c. When is  $V_{SD} = 5V$  or when shutdown is enabled,  $V_{OUT+}$  is close to 0V and  $V_{OUT-}$  is at close to 2.46V. This is similar to when  $V_{DD1}$  is not supplied.

## Package Characteristics

| Parameter                                | Symbol    | Min. | Typ. | Max. | Unit      | Test Conditions  | Note            |
|--|-----------|------|------|------|-----------|--|-----------------|
| Input-Output Momentary Withstand Voltage | $V_{ISO}$ | 7500 | —    | —    | $V_{rms}$ | RH < 50%, $t = 1\text{ min.}$ , $T_A = 25^\circ\text{C}$ | — <sup>ab</sup> |
| Resistance (Input-Output)                | $R_{I-O}$ | —    | >109 | —    | $\Omega$  | $V_{I-O} = 500V_{DC}$                                    | — <sup>c</sup>  |
| Capacitance (Input-Output)               | $C_{I-O}$ | —    | 0.5  | —    | pF        | $f = 1\text{ MHz}$                                       | c               |

- a. In accordance with UL 1577, each optocoupler is proof tested by applying an insulation test voltage  $\geq 6000V_{rms}$  for 1 second (leakage detection current limit,  $I_{I-O} \leq 5\ \mu\text{A}$ ). This test is performed before the 100% production test for partial discharge (method b) shown in IEC/EN/DIN EN 60747-5-5 Insulation Characteristic Table.
- b. The Input-Output Momentary Withstand Voltage is a dielectric voltage rating that should not be interpreted as an input-output continuous voltage rating. For the continuous voltage rating, refer to the IEC/EN/DIN EN 60747-5-5 insulation characteristics table and your equipment level safety specification.
- c. This is a two-terminal measurement: pins 1–4 are shorted together, and pins 5–8 are shorted together.

## Typical Performance Plots

All  $\pm 3\sigma$  plots are based on characterization test results at the point of product release. For guaranteed specification, refer to the respective Electrical Specifications section.

Figure 3: Input Offset vs. Supply  $V_{DD1}$

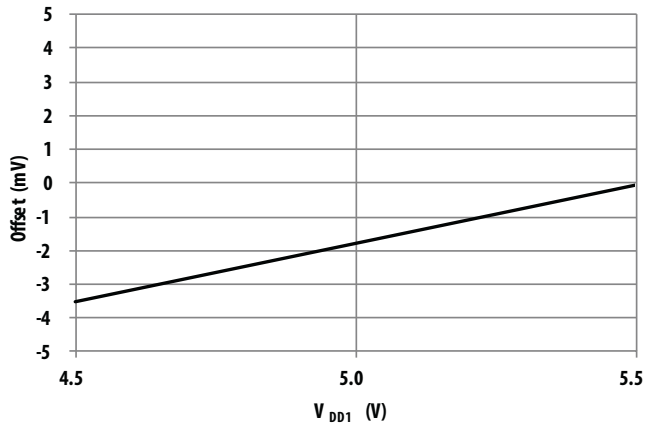


Figure 4: Input Offset vs. Supply  $V_{DD2}$

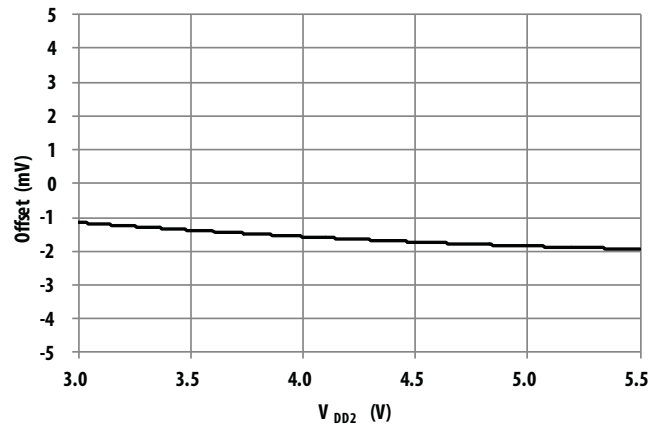


Figure 5: Input Offset vs. Temperature

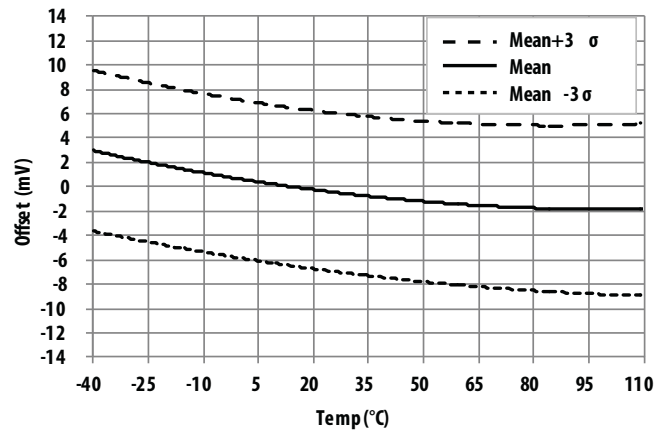


Figure 6: Gain vs. Supply  $V_{DD1}$

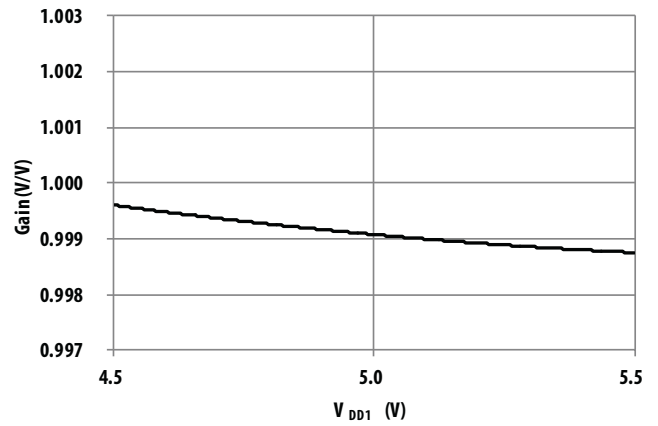


Figure 7: Gain vs. Supply  $V_{DD2}$

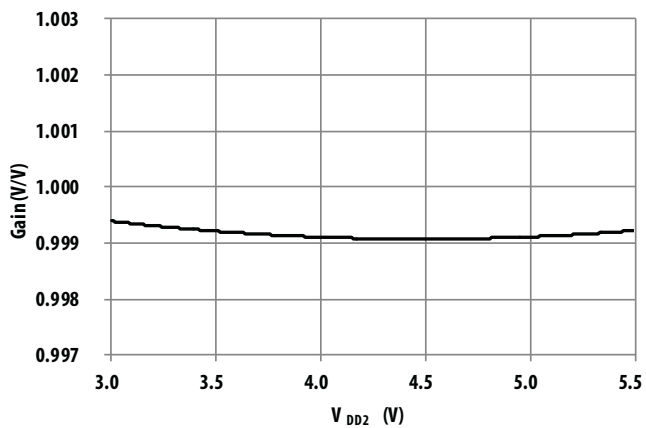


Figure 8: Gain vs. Temperature

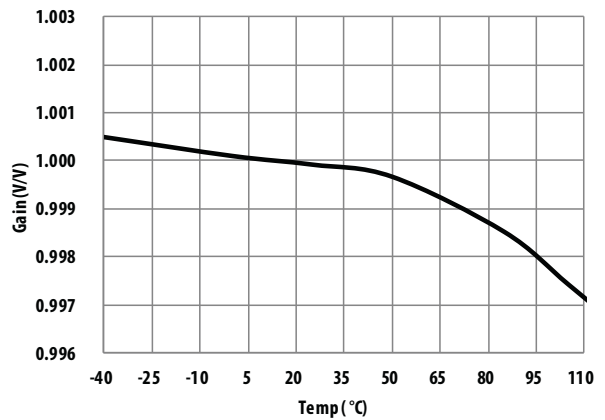




Figure 9: Non-Linearity vs. Supply  $V_{DD1}$

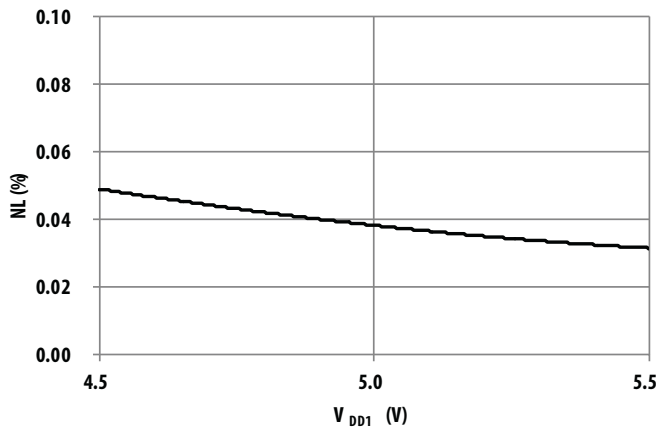


Figure 10: Non-Linearity vs. Supply  $V_{DD2}$

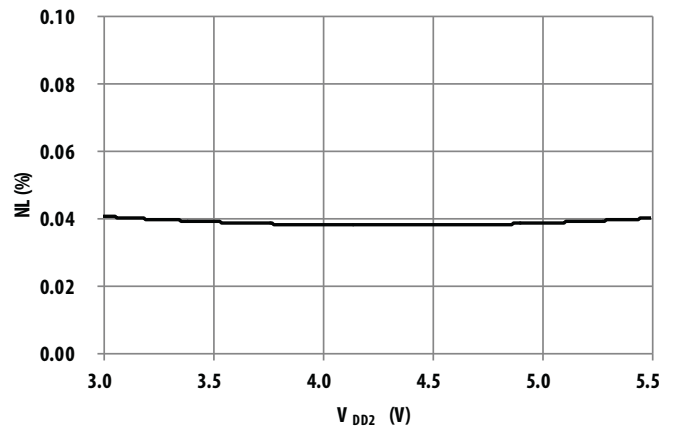


Figure 11: Non-Linearity vs. Temperature

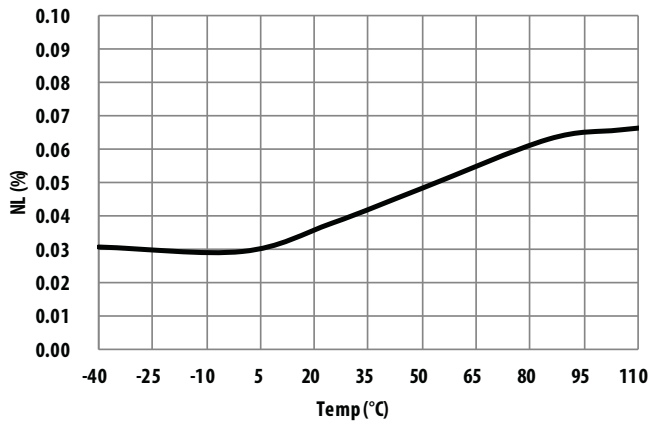


Figure 12: AC Noise vs. Filter Bandwidth

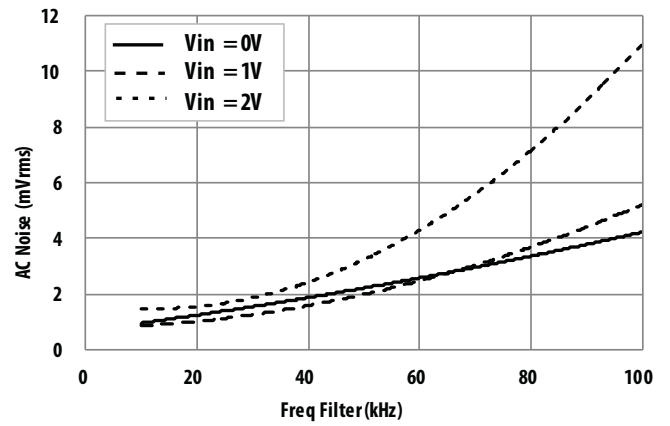


Figure 13:  $V_{IN}$  vs.  $V_{OUT+}$ ,  $V_{OUT-}$

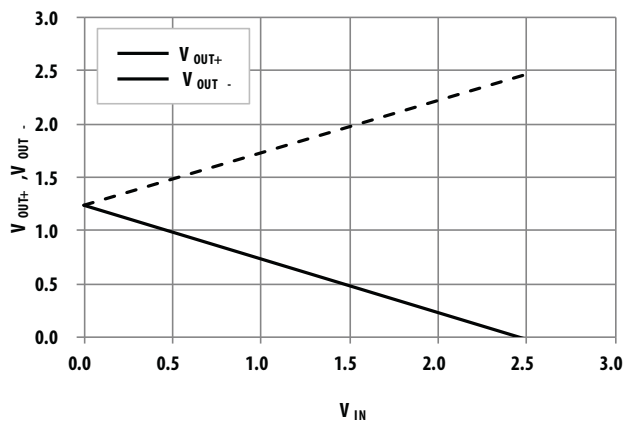


Figure 14: Frequency Response

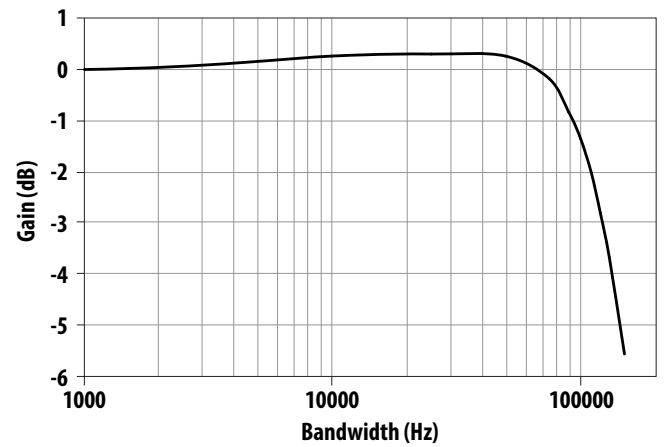


Figure 15: Phase Response

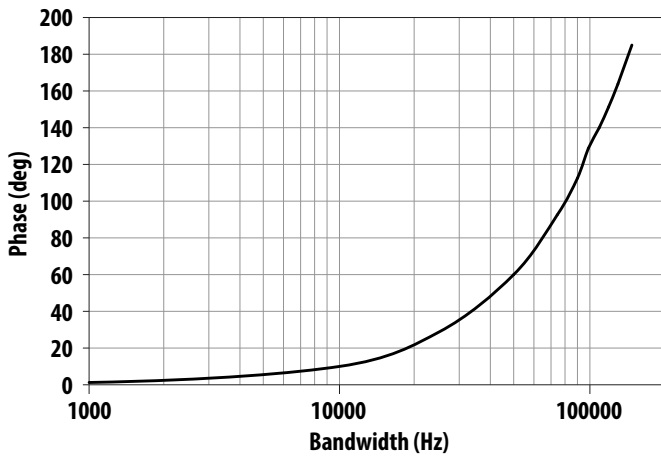


Figure 16: Propagation Delay vs. Temperature

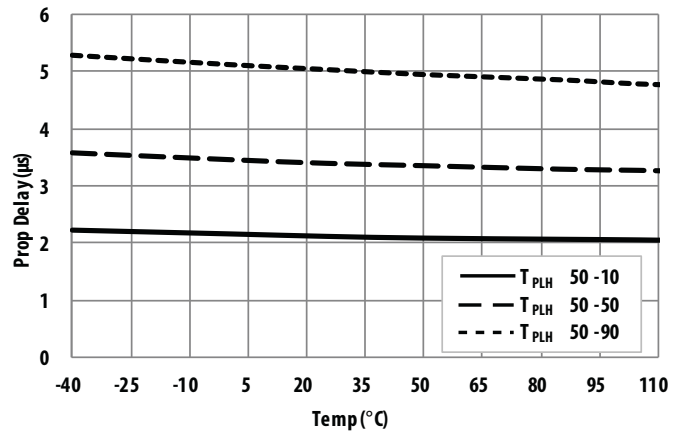


Figure 17: Shutdown And Wakeup Input To Output Timing Diagram.  $V_{Out\ Diff} = V_{Out+} - V_{Out-}$

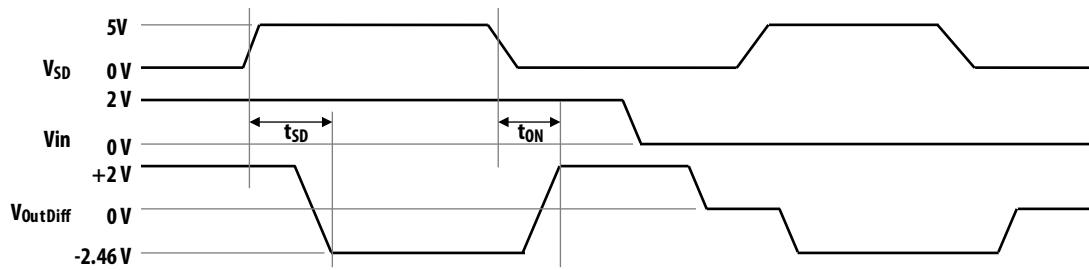
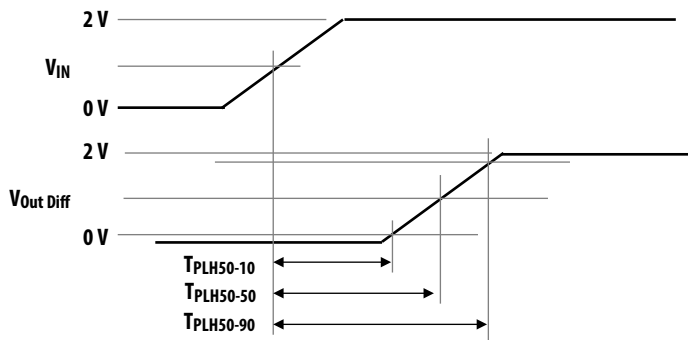


Figure 18: Input to Output Propagation Delay Timing Diagram.  $V_{Out\ Diff} = V_{Out+} - V_{Out-}$



## Definitions

### Gain

Gain is defined as the slope of the best-fit line of differential output voltage ( $V_{OUT+} - V_{OUT-}$ ) over the nominal input range, with offset error adjusted out.

### Nonlinearity

Nonlinearity is defined as half of the peak-to-peak output deviation from the best-fit gain line, expressed as a percentage of the full-scale differential output voltage.

### Common Mode Transient Immunity (CMTI) or Common-Mode Rejection

CMTI is tested by applying an exponentially rising/falling voltage step on pin 4 (GND1) with respect to pin 5 (GND2). The rise time of the test waveform is set to approximately 50 ns. The amplitude of the step is adjusted until the differential output ( $V_{OUT+} - V_{OUT-}$ ) exhibits more than a 200 mV deviation from the average output voltage for more than 1  $\mu$ s. The ACNT-H87x will continue to function if more than 10 kV/s common-mode slopes are applied, as long as the breakdown voltage limitations are observed.

### Power Supply Rejection, PSR

PSRR is the ratio of differential amplitude of the ripple outputs over power supply ripple voltage, referred to the input, expressed in dB.

## Application Information

### Application Circuit

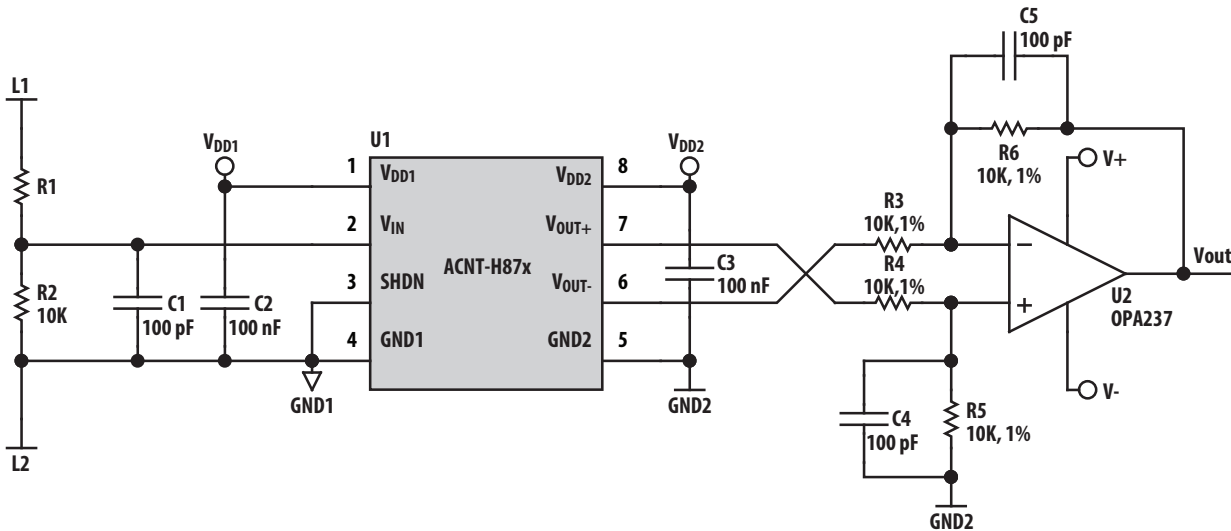
The typical application circuit is shown in [Figure 19](#). The ACNT-H87X voltage sensor is often used in photo-voltaic (PV) panel voltage measurement and tracking in PV inverters, and DC bus voltage monitoring in motor drivers. The high voltage across rails needs to be scaled down to fit the input range of the iso-amp by choosing R1 and R2 values according to appropriate ratio.

The ACNT-H87X senses the single-ended input signal and produces differential outputs across the galvanic isolation barrier. The differential outputs ( $V_{OUT+}$ ,  $V_{OUT-}$ ) can be connected to an op-amp to convert to a single-ended signal or directly to two ADCs. The op-amp used in the external post-amplifier circuit should be of sufficiently high precision so that it does not contribute a significant amount of offset or offset drift relative to the contribution from the isolation amplifier. Generally, op-amps with bipolar input stages exhibit better offset performance than op-amps with JFET or MOSFET input stages.

In addition, the op-amp should also have enough bandwidth and slew rate so that it does not adversely affect the response speed of the overall circuit. The post-amplifier circuit includes a pair of capacitors (C4 and C5) that form a single-pole low-pass filter; these capacitors allow the bandwidth of the post-amp to be adjusted independently of the gain and are useful for reducing the output noise from the isolation amplifier.

The gain-setting resistors in the post-amp should have a tolerance of 1% or better to ensure adequate CMRR and adequate gain tolerance for the overall circuit. Resistor networks can be used that have much better ratio tolerances than can be achieved using discrete resistors. A resistor network also reduces the total number of components for the circuit as well as the required board space.

Figure 19: Typical Application Circuit



## Measurement Accuracy and Power Dissipation of the Resistive Divider

The input stage of the typical application circuit in [Figure 19](#) can be simplified as the diagram shown in [Figure 20](#). R2 and R<sub>IN</sub>, input resistance of the ACNT-H87x, create a current divider that results in an additional measurement error component that will add on to the tot on top of the device gain error. With the assumption that R1 and R<sub>IN</sub> have a much higher value than R2, the resulting error can be estimated to be R2/R<sub>IN</sub>.

With R<sub>IN</sub> of 1 GW for the ACNT-H87x, this additional measurement error is negligible with R2 up to 1 MW, where the error is approximately 0.1%. Though small, it can be further reduced by reducing the R2 to 100k (error of 0.01% approximately), or 10 kW (error of 0.001% approximately). However with lower R2, a drawback of higher power dissipation in the resistive divider string needs to be considered, especially in higher voltage sensing applications. For example, with 600V<sub>DC</sub> across L1 and L2 and R2 of 100 kΩ for 0.01% measurement error, the resistive divider string consumes about 12 mW, assuming V<sub>IN</sub> is set at 2V. If the R2 is reduced to 10 kW to reduce error to 0.001%, the power consumption will increase to about 120 mW. In energy efficiency critical applications, such as PV inverters and battery-powered applications, this trade-off between measurement accuracy and power dissipation in the resistive string provides flexibility in design priority.

## Isolated Temperature Sensing Using Thermistor

IGBTs are an integral part of a motor or servo drive system and because of the high power that they usually handle, it is essential that they have proper thermal management and are sufficiently cooled. Long-term overload conditions could raise the IGBT module temperature permanently or failure of the thermal management system could subject the module to package overstress and lead to catastrophic failures. One common way to monitor the temperature of the module is through using a NTC-type thermistor mounted onto the IGBT module. Some IGBT module manufacturers also have IGBTs that comes with the thermistor integrated inside the module. In some cases, it is necessary to isolate this thermistor to provide added isolation and insulation due to the high power nature of the IGBTs. The ACNT-H87x voltage sensor can be used to easily meet such a requirement, while providing good accuracy and non-linearity. [Figure 21](#) shows an example of such an implementation. The ACNT-H87x is used to isolate the thermistor voltage which is later fed by the post amp stage to an ADC onboard the microcontroller (MCU) to determine the module temperature. The thermistor needs to be biased in way that its voltage output will optimize the 2-V input range of the ACNT-H87x across the intended temperature measurement range.

Figure 20: Simplified Input Stage

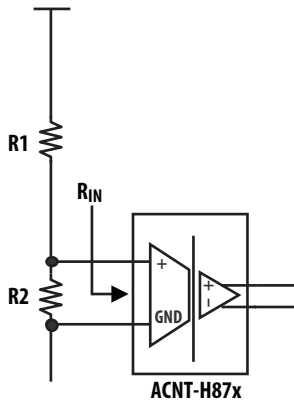
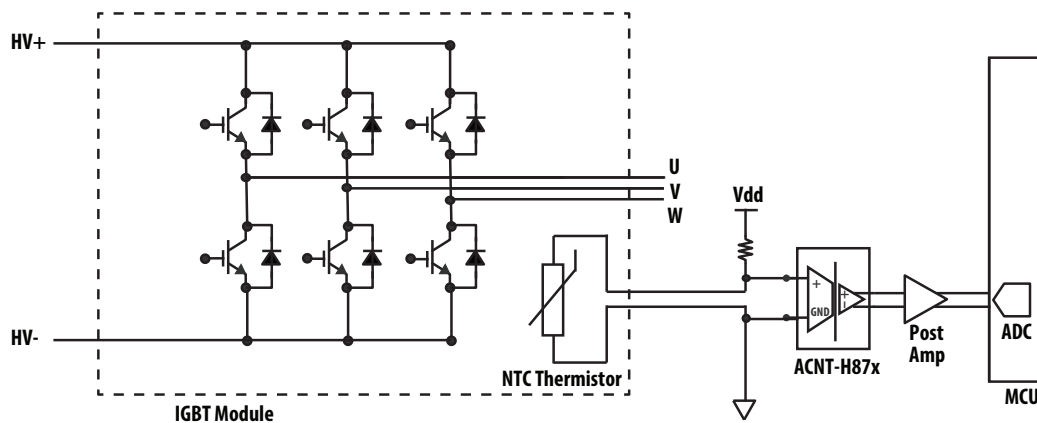


Figure 21: Thermistor Sensing in IGBT Module



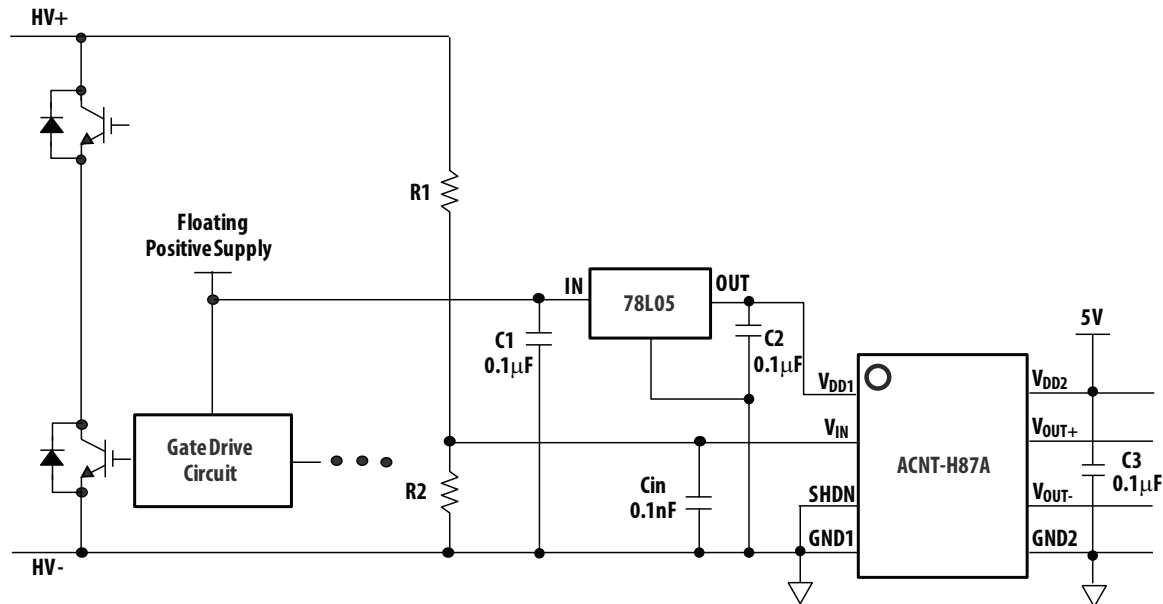
## Power Supplies and Bypassing

A power supply of 5V is required to power the ACNT-H87x input side VDD1. In many motor drive DC bus voltage sensing applications, this 5V supply is most often obtained from the same supply used to power the power transistor gate drive circuit using an inexpensive 78L05 three-terminal regulator. To help attenuate high frequency power supply noise or ripple, a resistor or inductor can be used in series with the input of the regulator to form a low-pass filter with the regulator's input bypass capacitor.

In some other applications a dedicated supply might be required to supply the  $V_{DD1}$ . These applications include photovoltaic (PV) inverter voltage tracking and measurement, temperature sensor signal isolation. In these cases it is possible to add an additional winding on an existing transformer. Otherwise, some sort of simple isolated supply can be used, such as a line powered transformer or a high-frequency DC-DC converter module.

As shown in [Figure 22](#), 100-nF bypass capacitors (C2, C3) should be located as close as possible to the pins of the isolation amplifier. The bypass capacitors are required because of the high-speed digital nature of the signals inside the isolation amplifier. A 100-pF bypass capacitor ( $C_{in}$ ) is also recommended at the input pins due to the switched-capacitor nature of the input circuit. The input bypass capacitor  $C_{in}$  also forms part of the anti-aliasing filter, which is recommended to prevent high-frequency noise from aliasing down to lower frequencies and interfering with the input signal. When  $R1$  is far greater than  $R2$ , the low-pass anti-aliasing filter corner frequency can be calculated by  $1/(2\pi R2C_{in})$ . The input filter also performs an important reliability function: it reduces transient spikes from ESD events flowing through the high voltage rails.

Figure 22: Recommended Power Supply and Bypassing



## PC Board Layout

The design of the printed circuit board (PCB) should follow good layout practices, such as keeping bypass capacitors close to the supply pins, keeping output signals away from input signals, the use of ground and power planes, etc. In addition, the layout of the PCB can also affect the isolation transient immunity (CMTI) of the ACNT-H87x, primarily due to stray capacitive coupling between the input and the output circuits.

To obtain optimal CMTI performance, the layout of the PC board should minimize any stray coupling by maintaining the maximum possible distance between the input and output sides of the circuit and ensuring that any ground or power plane on the PC board does not pass directly below or extend much wider than the body of the ACNT-H87A. The placement of the input capacitor which forms part of the anti-aliasing filter together with the resistor network should also be placed as close as possible to the Vin pin.