

### Data Sheet

#### Description

The ACPL-W454/P454 is similar to Broadcom's other high speed transistor output optocouplers, but with shorter propagation delays and higher CTR. The ACPL-W454/P454 also has a guaranteed propagation delay difference ( $t_{PLH} - t_{PHL}$ ). These features make the ACPL-W454/P454 an excellent solution to IPM inverter dead time and other switching problems.

The ACPL-W454/P454 CTR, propagation delays, and CMR are specified both for TTL load and drive conditions and for IPM (Intelligent Power Module) load and drive conditions. Specifications and typical performance plots for both TTL and IPM conditions are provided for ease of application.

This diode-transistor optocoupler uses an insulating layer between the light emitting diode and an integrated photo detector to provide electrical insulation between input and output. Separate connections for the photodiode bias and output transistor collector increase the speed up to a hundred times over that of a conventional phototransistor coupler by reducing the base-collector capacitance.

**CAUTION** It is advised that normal static precautions be taken in handling and assembly of this component to prevent damage and/or degradation which may be induced by ESD.

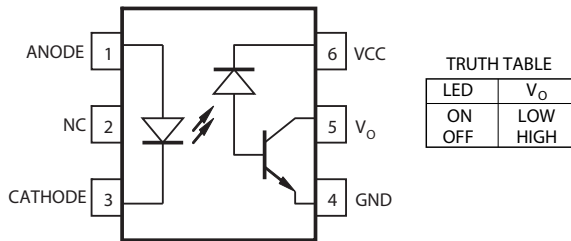
#### Features

- Package clearance/creepage at 8 mm (ACPL-W454)
- Function compatible with HCPL-4504
- Surface mountable in 6-pin stretched SO-6
- Short propagation delays for TTL and IPM applications
- Very high common mode transient immunity: guaranteed 15 kV/ $\mu$ s at  $V_{CM} = 1500V$
- High CTR: >25% at 25°C
- Guaranteed specifications for common IPM applications
- TTL compatible
- Guaranteed AC and DC performance over temperature: 0°C to 70°C
- Open collector output
- Safety approval
  - UL recognized 3750V<sub>RMS</sub> for 1 minute (5000V<sub>RMS</sub> for 1 minute under ACPL-W454 devices) per UL1577
  - CSA approved
  - IEC/EN/DIN EN 60747-5-5 approved with  $V_{IORM} = 1140V_{peak}$  (ACPL-W454) and  $V_{IORM} = 891V_{peak}$  (ACPL-P454) for Option 060.

#### Applications

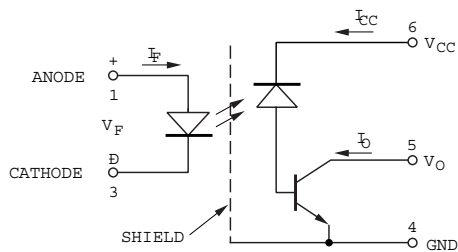
- Inverter circuits and intelligent power module (IPM) Interfacing – Shorter propagation delays and guaranteed ( $t_{PLH} - t_{PHL}$ ) specifications.
- High-speed logic ground isolation – TTL/TTL, TTL/LTTL, TTL/CMOS, TTL/LSTTL
- Line receivers – High common mode transient immunity (>15 kV/ $\mu$ s for a TTL load/drive) and low input-output capacitance (0.6 pF).
- Replace pulse transformers – Save board space and weight
- Analog signal ground isolation – Integrated photo detector provides improved linearity over phototransistors

## Functional Diagram



A 0.1  $\mu$ F bypass capacitor between pins 4 and 6 is recommended.

## Schematic



## Ordering Information

ACPL-P454 and ACPL-W454 are UL Recognized with 3750V<sub>RMS</sub> (5000V<sub>RMS</sub> under ACPL-W454) for 1 minute per UL1577 and are approved under CSA Component Acceptance Notice #5, File CA 88324.

Part Number	Option RoHS Compliant	Package	Surface Mount	Tape and Reel	IEC/EN/DIN EN 60747-5-5	Quantity
ACPL-P454 ACPL-W454	-000E	Stretched SO-6	X			100 per tube
	-500E		X	X		1000 per reel
	-060E		X		X	100 per tube
	-560E		X	X	X	1000 per reel

To order, choose a part number from the part number column and combine with the desired option from the option column to form an order entry.

Example 1:

ACPL-P454-560E to order product of Stretched SO-6 package in Tape and Reel packaging with IEC/EN/DIN EN 60747-5-5 Safety Approval in RoHS compliant.

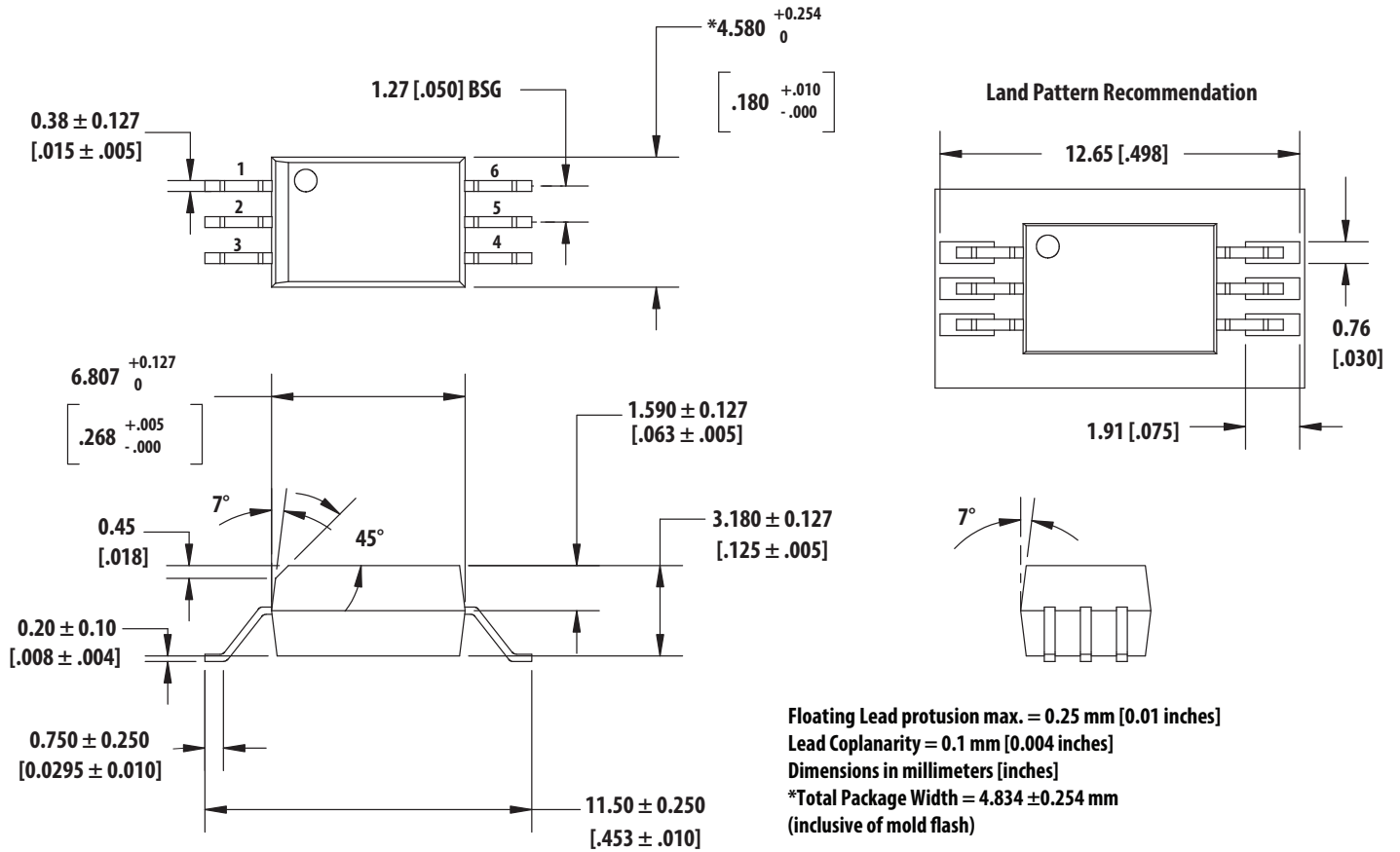
Example 2:

ACPL-P454-000E to order product of Stretched SO-6 package in tube packaging and RoHS compliant.

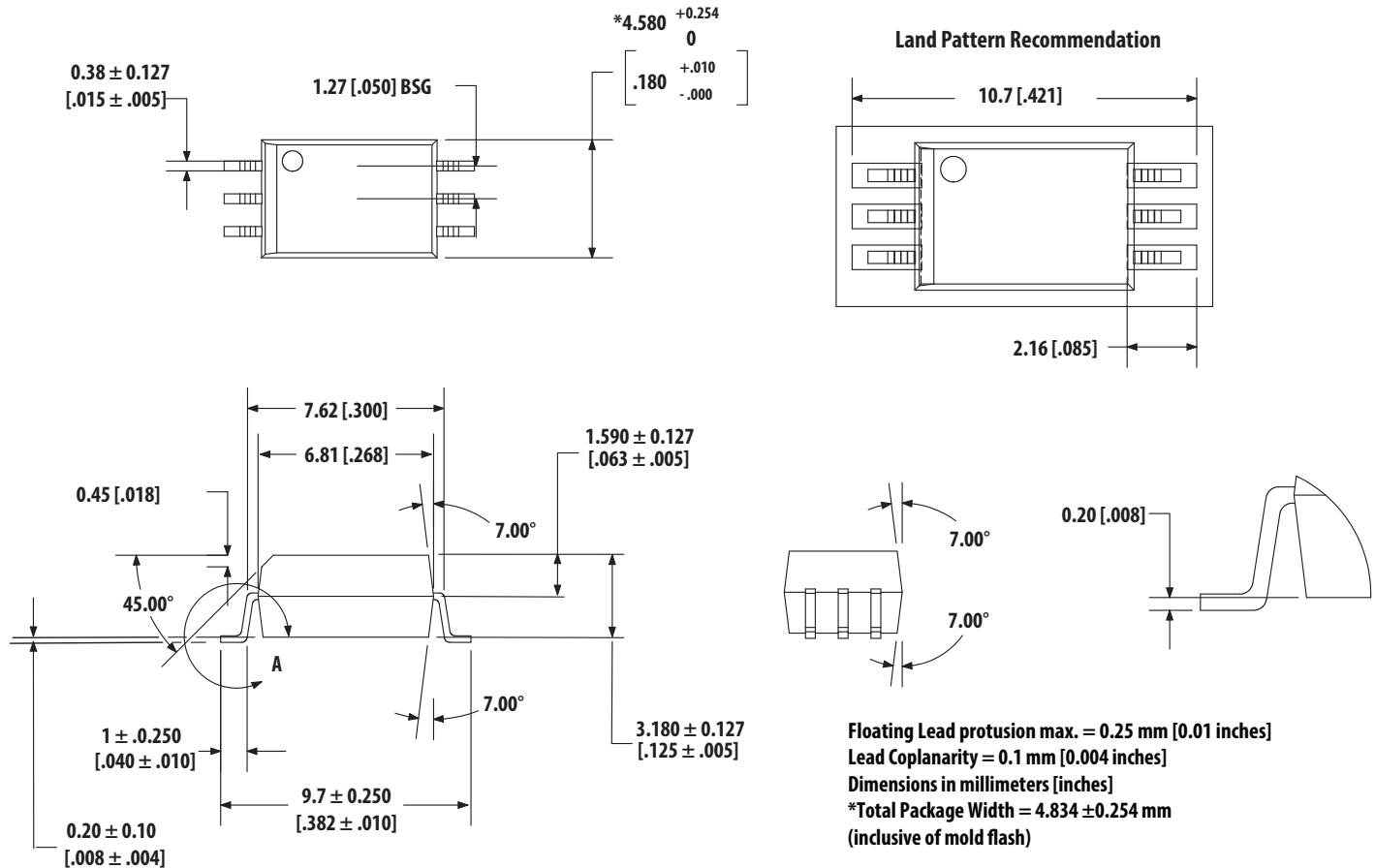
Option data sheets are available. Contact your Broadcom sales representative or authorized distributor for information.

# Package Outline Drawings

## ACPL-W454 (Stretched SO-6, 8 mm Clearance)



## ACPL-P454 (Stretched SO-6, 7 mm Clearance)



## Recommended Pb-Free IR Profile

Recommended reflow condition as per JEDEC Standard, J-STD-020 (latest revision). Use non-halide flux.

## Regulatory Information

The ACPL-W454/P454 are approved by the following organizations:

- **IEC/EN/DIN EN 60747-5-5 (Option 060 only)**
- **UL** – Approval under UL 1577, component recognition program up to  $V_{ISO} = 3750V_{RMS}$  ( $5000V_{RMS}$  for ACPL-W454). File E55361.
- **CSA** – Approval under CSA Component Acceptance Notice #5, File CA 88324.

## Insulation Related Specifications

Parameter	Symbol	ACPL-W454	ACPL-P454	Units	Conditions
Min External Air Gap (Clearance)	L(IO1)	8	7	mm	Measured from input terminals to output terminals
Min. External Tracking Path (Creepage)	L(IO2)	8	8	mm	Measured from input terminals to output terminals
Min. Internal Plastic Gap (Clearance)		0.08	0.08	mm	Through insulation distance conductor to conductor
Tracking Resistance	CTI	175	175	V	DIN IEC 112/VDE 0303 Part 1
Isolation Group (per DIN VDE 0109)		IIIa	—	—	Material Group DIN VDE 0109

## IEC/EN/DIN EN 60747-5-5 Insulation Characteristics

Description	Symbol	ACPL-P454 Option 060	ACPL-W454 Option 060	Unit
Installation classification per DIN VDE 0110/39, Table 1				
for rated mains voltage $\leq 150V_{RMS}$		I-IV	I-IV	
for rated mains voltage $\leq 300V_{RMS}$		I-IV	I-IV	
for rated mains voltage $\leq 600V_{RMS}$		I-III	I-III	
for rated mains voltage $\leq 1000V_{RMS}$			I-III	
Climatic Classification		55/85/21	55/85/21	—
Pollution Degree (DIN VDE 0110/39)		2	2	—
Maximum Working Insulation Voltage	$V_{IORM}$	891	1140	$V_{peak}$
Input to Output Test Voltage, Method b <sup>a</sup> $V_{IORM} \times 1.875 = V_{PR}$ , 100% Production Test with $t_m=1$ sec, Partial discharge $< 5$ pC	$V_{PR}$	1671	2137	$V_{peak}$
Input to Output Test Voltage, Method a <sup>a</sup> $V_{IORM} \times 1.6 = V_{PR}$ , Type and Sample Test, $t_m=10$ sec, Partial discharge $< 5$ pC	$V_{PR}$	1426	1824	$V_{peak}$
Highest Allowable Overvoltage (Transient Overvoltage $t_{ini} = 60$ sec)	$V_{IOTM}$	6000	8000	$V_{peak}$
Safety-limiting values - maximum values allowed in the event of a failure.				
Case Temperature	$T_S$	175	175	$^{\circ}C$
Input Current	$I_{S, INPUT}$	230	230	mA
Output Power	$P_{S, OUTPUT}$	600	600	mW
Insulation Resistance at $T_S, V_{IO} = 500V$	$R_S$	$\geq 10^9$	$\geq 10^9$	$\Omega$

- a. Refer to the optocoupler section of the Isolation and Control Components Designer's Catalog, under Product Safety Regulations section, (IEC/EN/DIN EN 60747-5-5) for a detailed description of Method a and Method b partial discharge test profiles.

## Absolute Maximum Ratings

Parameter	Value
Storage Temperature	-55°C to +125°C
Operating Temperature	-55°C to +100°C
Average Input Current – $I_F$	25 mA <sup>a</sup>
Peak Input Current – $I_F$	50 mA <sup>b</sup> (50% duty cycle, 1 ms pulse width)
Peak Transient Input Current – $I_F$	1.0A ( $\leq$ 1 ms pulse width, 300 pps)
Reverse Input Voltage – $V_R$ (Pin 3-1)	5V
Input Power Dissipation	45 mW <sup>c</sup>
Average Output Current – $I_O$ (Pin 5)	8 mA
Peak Output Current	16 mA
Output Voltage – $V_O$ (Pin 5-4)	-0.5V to +20V
Supply Voltage – $V_{CC}$ (Pin 6-4)	-0.5V to +30V
Output Power Dissipation	100 mW <sup>d</sup>
Solder Reflow Temperature Profile	See Package Outline Drawings section

- Derate linearly above 70°C free-air temperature at a rate of 0.8 mA/°C.
- Derate linearly above 70°C free-air temperature at a rate of 1.6 mA/°C.
- Derate linearly above 70°C free-air temperature at a rate of 0.9 mW/°C.
- Derate linearly above 70°C free-air temperature at a rate of 2.0 mW/°C.

## DC Electrical Specifications

Over recommended temperature ( $T_A = 0^\circ\text{C}$  to  $70^\circ\text{C}$ ) unless otherwise specified.

Parameter	Symbol	Min.	Typ. <sup>a</sup>	Max.	Unit	Test Conditions			Fig.	Note
Current Transfer Ratio	CTR	25	32	60	%	$T_A = 25^\circ\text{C}$	$V_O = 0.4\text{V}$	$I_F = 16\text{ mA}$ $V_{CC} = 4.5\text{V}$	1, 2, 4	b
		21	34	—		—	$V_O = 0.5\text{V}$			
Current Transfer Ratio	CTR	26	35	65	%	$T_A = 25^\circ\text{C}$	$V_O = 0.4\text{V}$	$I_F = 12\text{ mA}$ $V_{CC} = 4.5\text{V}$		b
		22	37	—		—	$V_O = 0.5\text{V}$			
Logic Low Output Voltage	$V_{OL}$	—	0.2	0.4	V	$T_A = 25^\circ\text{C}$	$I_O = 3.0\text{ mA}$	$I_F = 16\text{ mA}$ $V_{CC} = 4.5\text{V}$	1	
			0.2	0.5		—	$I_O = 2.4\text{ mA}$			
Logic High Output Current	$I_{OH}$	—	0.003	0.5	$\mu\text{A}$	$T_A = 25^\circ\text{C}$	$V_O = V_{CC} = 5.5\text{V}$	$I_F = 0\text{ mA}$	5	
			0.01	1		$T_A = 25^\circ\text{C}$	$V_O = V_{CC} = 15.0\text{V}$			
			—	50		—				
Logic Low Supply Current	$I_{CCL}$	—	50	200	$\mu\text{A}$	$I_F = 16\text{ mA}$ ,	$V_{CC} = 15\text{V}$	$V_O = \text{Open}$		c
Logic High Supply Current	$I_{CCH}$	—	0.02	1	$\mu\text{A}$	$T_A = 25^\circ\text{C}$	$I_F = 0\text{ mA}$ ,	$V_{CC} = 15\text{V}$		c
			0.02	2		—				
Input Forward Voltage	$V_F$	—	1.5	1.7	V	$T_A = 25^\circ\text{C}$	$I_F = 16\text{ mA}$		3	
			1.5	1.8		—				
Input Reverse Breakdown Voltage	$BV_R$	5	—	—	V	$I_R = 10\text{A}$				
Temperature Coefficient of Forward Voltage	$\Delta V_F / \Delta T_A$	—	-1.6	—	$\text{mV}/^\circ\text{C}$	$I_F = 16\text{ mA}$				
Input Capacitance	$C_{IN}$	—	60	—	pF	$f = 1\text{ MHz}$ , $V_F = 0$				

a. All typicals at  $T_A = 25^\circ\text{C}$ .

b. CURRENT TRANSFER RATIO in percent is defined as the ratio of output collector current ( $I_O$ ), to the forward LED input current ( $I_F$ ), times 100.

c. Use of a 0.1  $\mu\text{F}$  bypass capacitor connected between pins 4 and 6 is recommended.

## Switching Specifications

Over recommended temperature ( $T_A = 0^\circ\text{C}$  to  $70^\circ\text{C}$ ) unless otherwise specified

Parameter	Symbol	Min.	Typ. <sup>a</sup>	Max.	Unit	Test Conditions	Fig.	Notes				
Propagation Delay Time to Logic Low at Output	$t_{\text{PHL}}$	—	0.2	0.3	$\mu\text{s}$	$T_A = 25^\circ\text{C}$	Pulse: $f = 20\text{ kHz}$ , Duty Cycle = 10% $I_F = 16\text{ mA}$ , $V_{\text{CC}} = 5.0\text{V}$ $R_L = 1.9\text{ k}\Omega$ , $C_L = 15\text{ pF}$ , $V_{\text{THHL}} = 1.5\text{V}$	6, 8, 9	b			
		—	0.2	0.5		—						
		0.2	0.5	0.7	$\mu\text{s}$	$T_A = 25^\circ\text{C}$	Pulse: $f = 10\text{ kHz}$ , Duty Cycle = 50% $I_F = 12\text{ mA}$ , $V_{\text{CC}} = 15.0\text{V}$ $R_L = 20\text{ k}\Omega$ , $C_L = 100\text{ pF}$ , $V_{\text{THHL}} = 1.5\text{V}$	6, 10–14	c			
		0.1	0.5	1.0		—						
Propagation Delay Time to Logic High at Output	$t_{\text{PLH}}$	—	0.3	0.5	$\mu\text{s}$	$T_A = 25^\circ\text{C}$	Pulse: $f = 20\text{ kHz}$ , Duty Cycle = 10% $I_F = 16\text{ mA}$ , $V_{\text{CC}} = 5.0\text{V}$ $R_L = 1.9\text{ k}\Omega$ , $C_L = 15\text{ pF}$ , $V_{\text{THHL}} = 1.5\text{V}$	6, 8, 9	b			
		—	0.3	0.7		—						
		0.3	0.8	1.1	$\mu\text{s}$	$T_A = 25^\circ\text{C}$	Pulse: $f = 10\text{ kHz}$ , Duty Cycle = 50% $I_F = 12\text{ mA}$ , $V_{\text{CC}} = 15.0\text{V}$ $R_L = 20\text{ k}\Omega$ , $C_L = 100\text{ pF}$ , $V_{\text{THHL}} = 2.0\text{V}$	6, 10–14	c			
		0.2	0.8	1.4		—						
Propagation Delay Difference Between Any 2 Parts	$t_{\text{PLH}} - t_{\text{PHL}}$	-0.4	+0.3	+0.9	$\mu\text{s}$	$T_A = 25^\circ\text{C}$	Pulse: $f = 10\text{ kHz}$ , Duty Cycle = 50% $I_F = 12\text{ mA}$ , $V_{\text{CC}} = 15.0\text{V}$ $R_L = 20\text{ k}\Omega$ , $C_L = 100\text{ pF}$ $V_{\text{THHL}} = 1.5\text{V}$ , $V_{\text{THLH}} = 2.0\text{V}$	6, 10–14	d			
		-0.7	+0.3	+1.3		—						
Common Mode Transient Immunity at Logic High Level Output	$ CM_H $	15	30	—	kV/s	$T_A = 25^\circ\text{C}$	$V_{\text{CC}} = 5.0\text{V}$ , $R_L = 1.9\text{ k}\Omega$ $C_L = 15\text{ pF}$ , $I_F = 0\text{ mA}$ , $V_{\text{CM}} = 1500\text{ V}_{\text{P-P}}$	7	b, e			
		15	30	—		$T_A = 25^\circ\text{C}$				$V_{\text{CC}} = 15.0\text{V}$ , $R_L = 20\text{ k}\Omega$ $C_L = 100\text{ pF}$ , $I_F = 0\text{ mA}$ $V_{\text{CM}} = 1500\text{ V}_{\text{P-P}}$	7	c, f
Common Mode Transient Immunity at Logic Low Level Output	$ CM_L $	15	30	—	kV/ $\mu\text{s}$	$T_A = 25^\circ\text{C}$	$V_{\text{CC}} = 5.0\text{V}$ , $R_L = 1.9\text{ k}\Omega$ $C_L = 15\text{ pF}$ , $I_F = 16\text{ mA}$ $V_{\text{CM}} = 1500\text{ V}_{\text{P-P}}$	7	b, e			
		15	30	—		$T_A = 25^\circ\text{C}$				$V_{\text{CC}} = 15.0\text{V}$ , $R_L = 20\text{ k}\Omega$ $C_L = 100\text{ pF}$ , $I_F = 12\text{ mA}$ $V_{\text{CM}} = 1500\text{ V}_{\text{P-P}}$	7	c, f
		15	30	—		$T_A = 25^\circ\text{C}$				$V_{\text{CC}} = 15.0\text{V}$ , $R_L = 20\text{ k}\Omega$ $C_L = 100\text{ pF}$ , $I_F = 16\text{ mA}$ $V_{\text{CM}} = 1500\text{ V}_{\text{P-P}}$	7	c, f

- All typicals at  $T_A = 25^\circ\text{C}$ .
- The  $1.9\text{ k}\Omega$  load represents 1 TTL unit load of  $1.6\text{ mA}$  and the  $5.6\text{ k}\Omega$  pull-up resistor.
- The  $R_L = 20\text{ k}\Omega$ ,  $C_L = 100\text{ pF}$  load represents an IPM (Intelligent Power Mode) load.
- The difference between  $t_{\text{PLH}}$  and  $t_{\text{PHL}}$ , between any two ACPL-W454/P454 parts under the same test condition. (See Power Inverter Dead Time and Propagation Delay Specifications section).
- Under TTL load and drive conditions: Common mode transient immunity in a Logic High level is the maximum tolerable (positive)  $dV_{\text{CM}}/dt$  on the leading edge of the common mode pulse,  $V_{\text{CM}}$ , to assure that the output will remain in a Logic High state (that is,  $V_O > 2.0\text{V}$ ). Common mode transient immunity in a Logic Low level is the maximum tolerable (negative)  $dV_{\text{CM}}/dt$  on the trailing edge of the common mode pulse signal,  $V_{\text{CM}}$ , to assure that the output will remain in a Logic Low state (that is,  $V_O < 0.8\text{V}$ ).
- Under IPM (Intelligent Power Module) load and LED drive conditions: Common mode transient immunity in a Logic High level is the maximum tolerable  $dV_{\text{CM}}/dt$  on the leading edge of the common mode pulse,  $V_{\text{CM}}$ , to assure that the output will remain in a Logic High state (that is,  $V_O > 3.0\text{V}$ ). Common mode transient immunity in a Logic Low level is the maximum tolerable  $dV_{\text{CM}}/dt$  on the trailing edge of the common mode pulse signal,  $V_{\text{CM}}$ , to assure that the output will remain in a Logic Low state that is,  $V_O < 1.0\text{V}$ .



## Package Characteristics

Over recommended temperature ( $T_A = 0^\circ\text{C}$  to  $70^\circ\text{C}$ ) unless otherwise specified. All typicals at  $T_A = 25^\circ\text{C}$ .

Parameter	Symbol	Min.	Typ.	Max.	Units	Test Conditions	Fig.	Notes
Input-Output Momentary Withstand Voltage <sup>a</sup>	$V_{ISO}$	3750	—	—	Vrms	RH $\leq$ 50%, t = 1 min, $T_A = 25^\circ\text{C}$		b, c
		5000 (For "ACPL-W454")						
Input-Output Resistance	$R_{I-O}$	—	$10^{12}$	—	$\Omega$	$V_{I-O} = 500V_{DC}$		b
Input-Output Capacitance	$C_{I-O}$	—	0.6	—	pF	f = 1 MHz; $V_{I-O} = 0V_{DC}$		b

- The Input-Output Momentary Withstand Voltage is a dielectric voltage rating that should not be interpreted as an input-output continuous voltage rating. For the continuous voltage rating refer to the IEC/EN/DIN EN 60747-5-5 Insulation Characteristics Table (if applicable).
- Device considered a two-terminal device: Pins 1 and 3 shorted together and Pins 4, 5, and 6 shorted together.
- In accordance with UL 1577, each optocoupler is proof tested by applying an insulation test voltage  $\geq 4500 V_{RMS}$  for 1 second (leakage detection current limit,  $I_{I-O} \leq 5 \mu\text{A}$ ); each optocoupler under ACPL-W454 is proof tested by applying an insulation test voltage  $\geq 6000 V_{RMS}$  for 1 second (leakage detection current limit,  $I_{I-O} \leq 5 \mu\text{A}$ ).

Figure 1 DC and Pulsed Transfer Characteristics

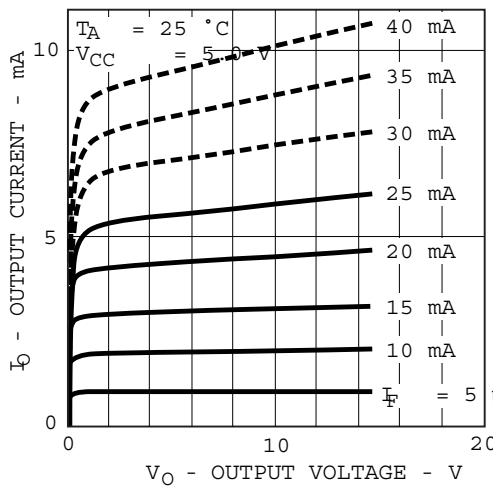


Figure 2 Current Transfer Ratio vs. Input Current

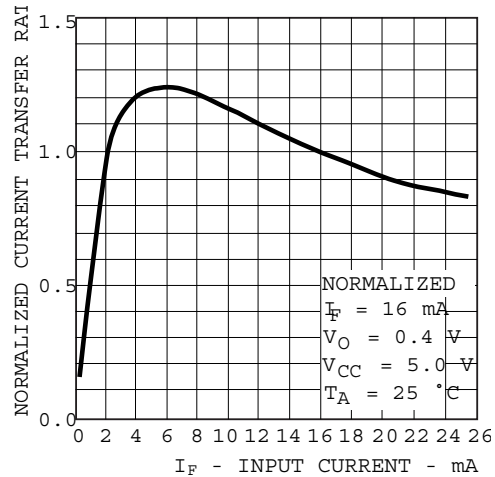


Figure 3 Input Current vs. Forward Voltage

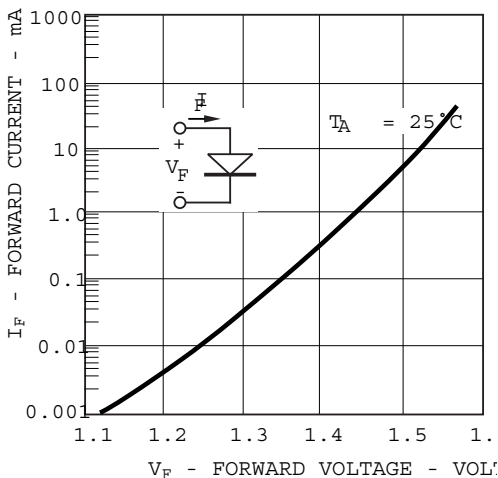
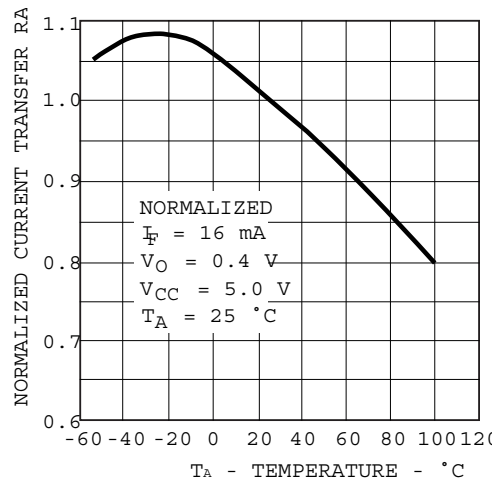
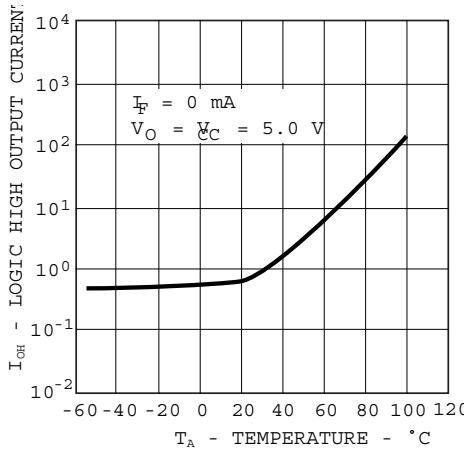


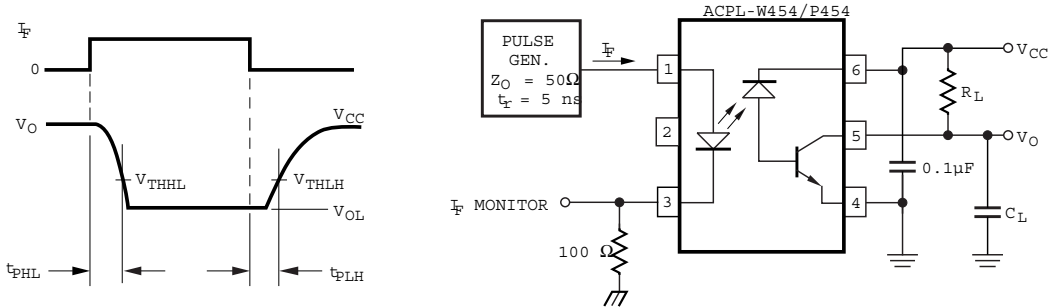
Figure 4 Current Transfer Ratio vs. Temperature



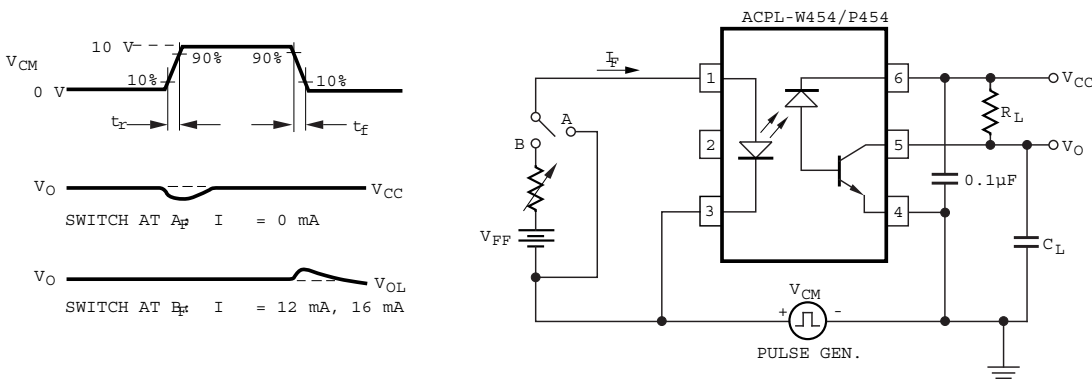
**Figure 5 Logic High Output Current vs. Temperature**



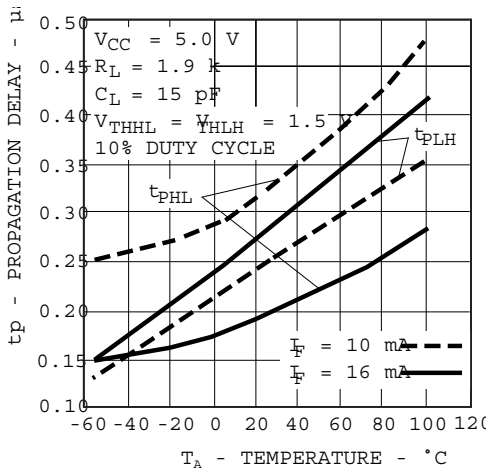
**Figure 6 Switching Test Circuit**



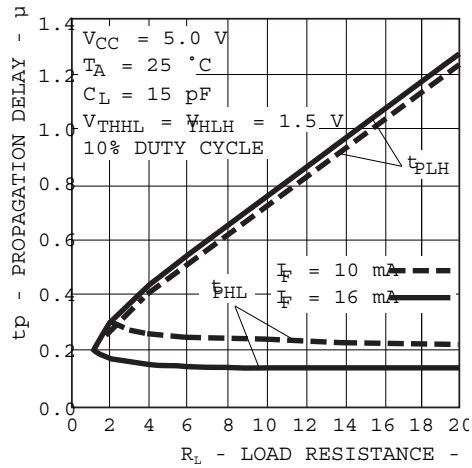
**Figure 7 Test Circuit for Transient Immunity and Typical Waveforms**



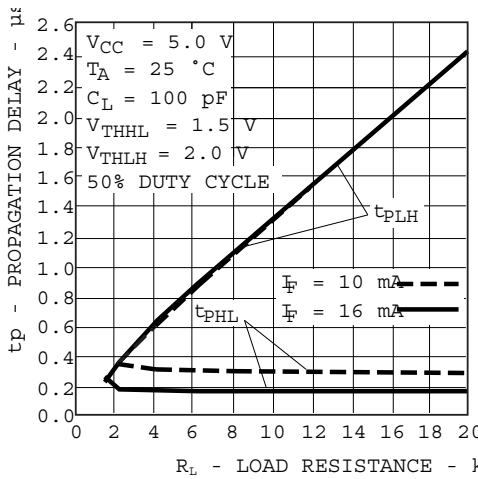
**Figure 8 Propagation Delay Time vs. Temperature**



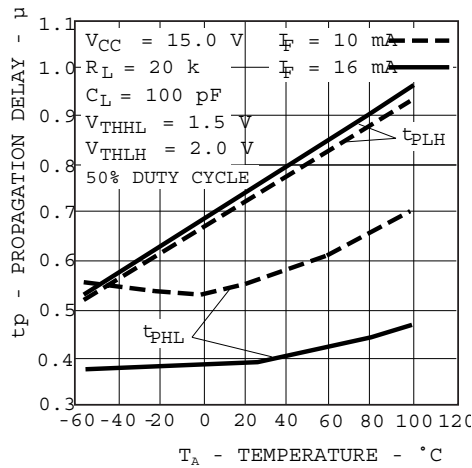
**Figure 9 Propagation Delay Time vs. Load Resistance**



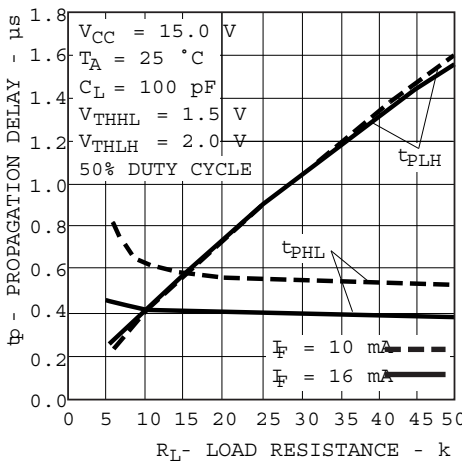
**Figure 10 Propagation Delay Time vs. Load Resistance**



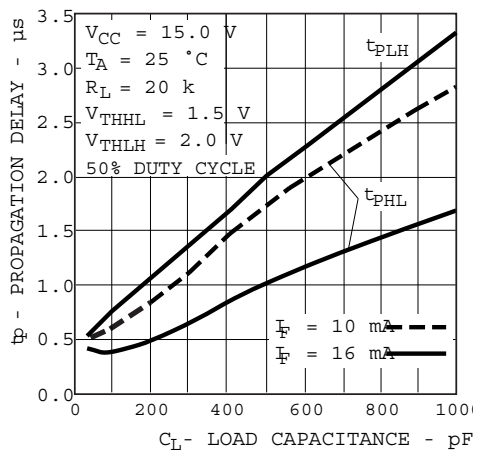
**Figure 11 Propagation Delay Time vs. Temperature**



**Figure 12 Propagation Delay Time vs. Load Resistance**



**Figure 13 Propagation Delay Time vs. Load Capacitance**



**Figure 14 Propagation Delay Time vs. Supply Voltage**

