

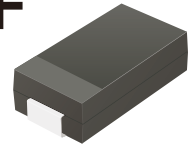
## ACURB201-HF Thru. ACURB207-HF

Reverse Voltage: 50 to 1000 Volts

Forward Current: 2 Amp

RoHS Device

Halogen Free

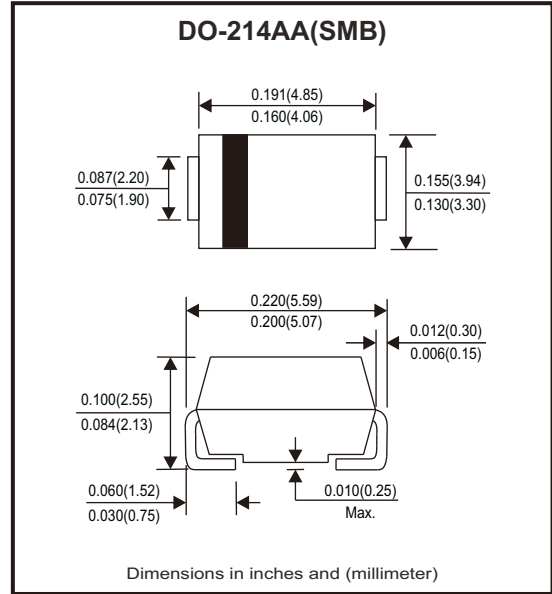


### Features

- High current capability.
- High surge current capability.
- Low reverse current.
- AEC-Q101 Qualified

### Mechanical data

- Epoxy: UL flammability classification rating 94V-0
- Case: Molded plastic, DO-214AA/SMB
- Terminals: Lead free plating(Tin Finish), Solderable per MIL-STD-202, method 208.
- Polarity: Cathode band.



### Circuit Diagram



### Maximum Ratings and Electrical Characteristics (at TA=25°C unless otherwise noted)

Parameter	Symbol	ACURB 201-HF	ACURB 202-HF	ACURB 203-HF	ACURB 204-HF	ACURB 205-HF	ACURB 206-HF	ACURB 207-HF	Unit
Max. repetitive peak reverse voltage	V <sub>RRM</sub>	50	100	200	400	600	800	1000	V
Max. DC blocking voltage	V <sub>DC</sub>	50	100	200	400	600	800	1000	V
Max. RMS voltage	V <sub>RMS</sub>	35	70	140	280	420	560	700	V
Max. average forward rectified current	I <sub>F</sub>	2							A
Peak forward surge current, 8.3ms single half sine-wave superimposed on rated load	I <sub>FSM</sub>	50							A
Max. instantaneous forward voltage I <sub>F</sub> =2A @ 25°C	V <sub>F</sub>	1.0			1.3	1.7		V	
Max. reverse recovery time (Note 2)	T <sub>rr</sub>	50				75			nS
Max. DC reverse current T <sub>A</sub> =25°C at rated DC blocking voltage T <sub>A</sub> =100°C	I <sub>R</sub>	5				100			µA
Typical junction capacitance (Note 1)	C <sub>J</sub>	20				pF			
Typical thermal resistance	R <sub>θJC</sub>	40				°C/W			
Operating temperature range	T <sub>J</sub>	-55 to +150							°C
Storage temperature range	T <sub>STG</sub>	-55 to +150							°C

Notes: 1. Measured at 1.0MHz and applied reverse voltage of 4.0V DC  
2. Reverse recovery test conditions: I<sub>F</sub>=0.5A, I<sub>R</sub>=1A, I<sub>RR</sub>=0.25A

Company reserves the right to improve product design , functions and reliability without notice.

REV:A

## Rating and Characteristics Curvers (ACURB201-HF Thru. ACURB207-HF)

Fig.1 - Typical Forward Current Derating Curve

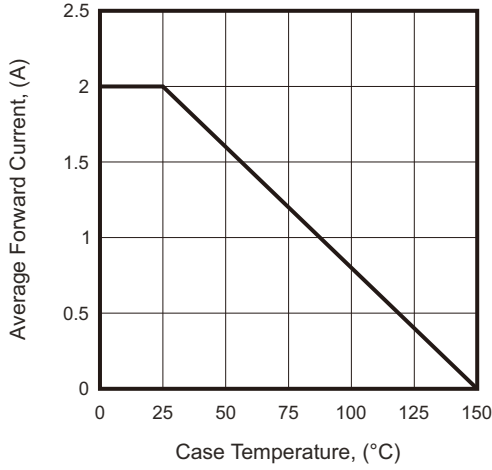


Fig.2 - Typical Forward Characteristics

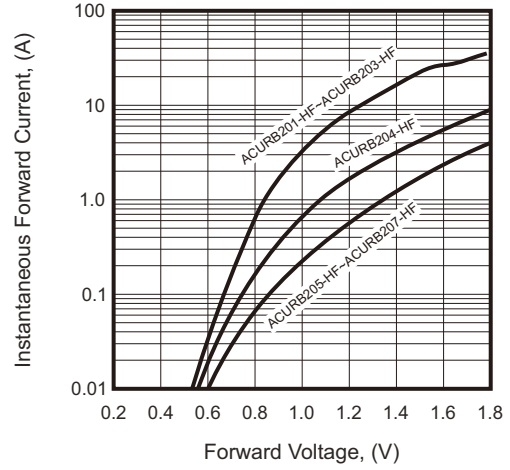


Fig.3 - Maximum Non-repetitive Forward Surge Current

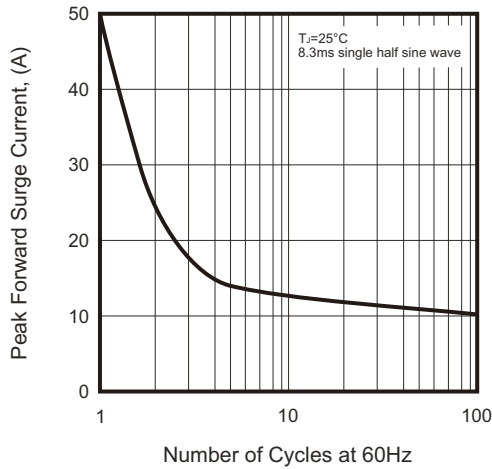


Fig.4 - Typical Reverse Characteristics

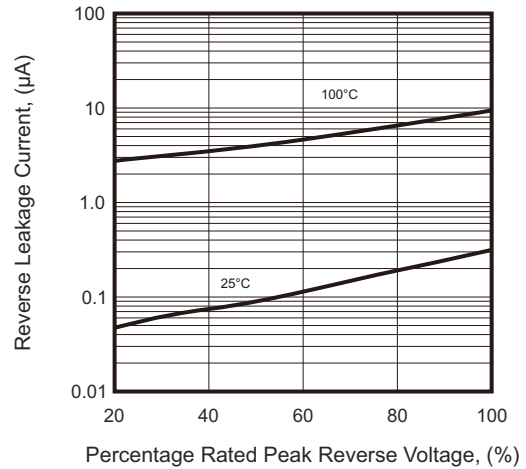
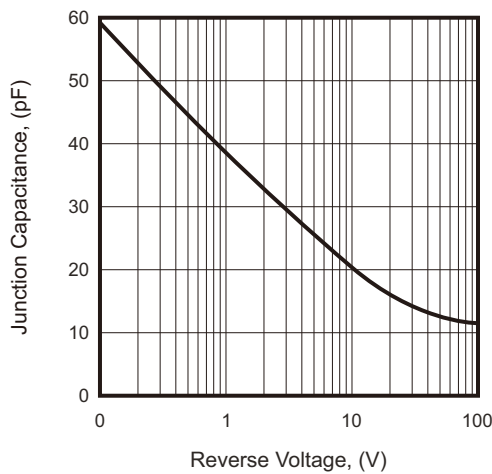
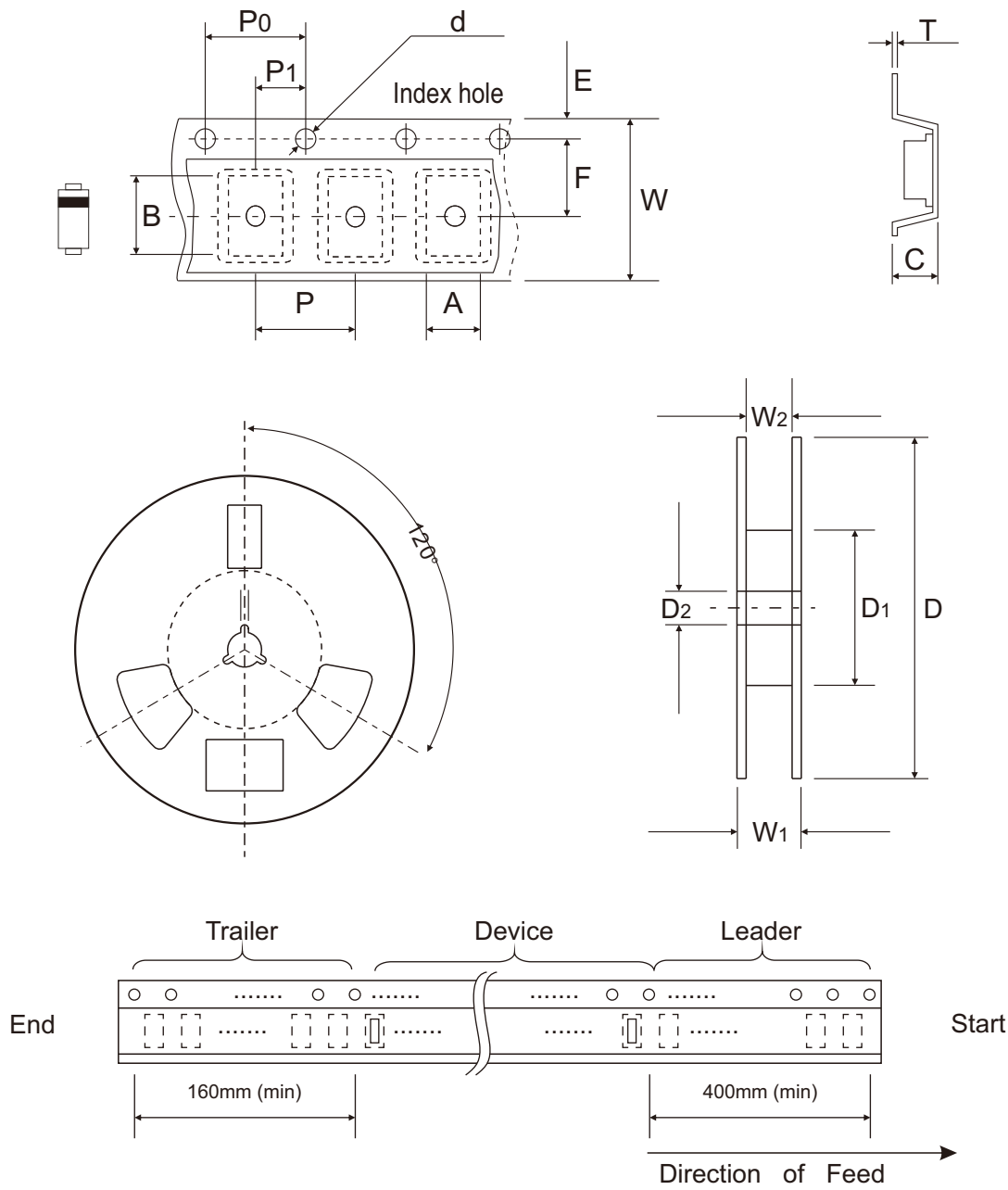


Fig.5 - Typical Junction Capacitance



## Reel Taping Specification



DO-214AA (SMB)	SYMBOL	A	B	C	d	D	D1	D2	E
	(mm)	4.00 Max.	5.90 Max.	3.00 Max.	1.50 ± 0.10	330.00 ± 2.00	50.00 Min.	13.50 ± 1.00	1.75 ± 0.10
	(inch)	0.157 Max.	0.232 Max.	0.118 Max.	0.059 ± 0.004	12.992 ± 0.079	1.969 Min.	0.531 ± 0.039	0.069 ± 0.004
DO-214AA (SMB)	SYMBOL	F	P	P0	P1	T	W	W1	W2
	(mm)	5.50 ± 0.05	8.00 ± 0.10	4.00 ± 0.10	2.00 ± 0.05	0.60 Max.	12.00 ± 0.30	18.40 Max.	14.40 Max.
	(inch)	0.217 ± 0.002	0.315 ± 0.004	0.157 ± 0.004	0.079 ± 0.002	0.024 Max.	0.472 ± 0.012	0.724 Max.	0.567 Max.

Company reserves the right to improve product design, functions and reliability without notice. REV:A