

**SERIES:** ACZ16 | **DESCRIPTION:** MECHANICAL INCREMENTAL ENCODER

## ELECTRICAL SPECIFICATIONS

parameter	conditions/description	min	typ	max	units
output waveform	square wave				
output signals	A, B phase				
current consumption	0.5 mA				
output phase difference	T1, T2, T3, T4 ≥ 3.5 ms @ 60 rpm (see output waveform)				
supply voltage	5 V dc max.				
output resolution	12, 24 ppr				
insulation resistance	50 V dc, 100 MΩ				
withstand voltage	50 V ac				

## MECHANICAL SPECIFICATIONS

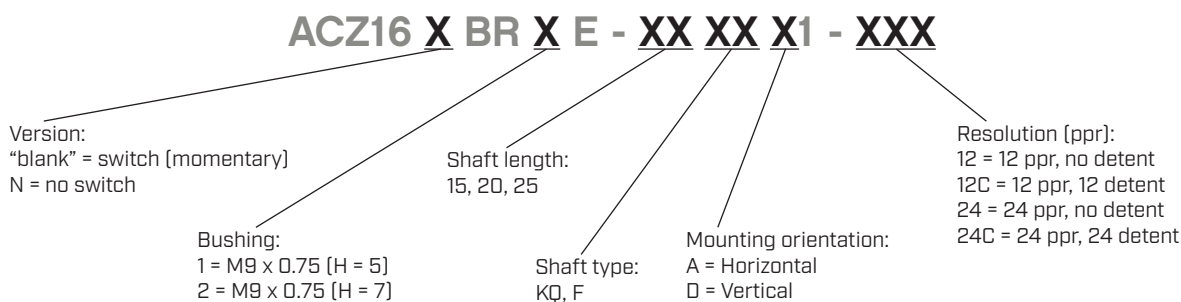
parameter	conditions/description	min	typ	max	units
shaft load	axial			7	kgf
rotational torque	with detent click	50		130	gf·cm
	without detent click	90		210	gf·cm
rotational life				100,000	cycles

## ENVIRONMENTAL SPECIFICATIONS

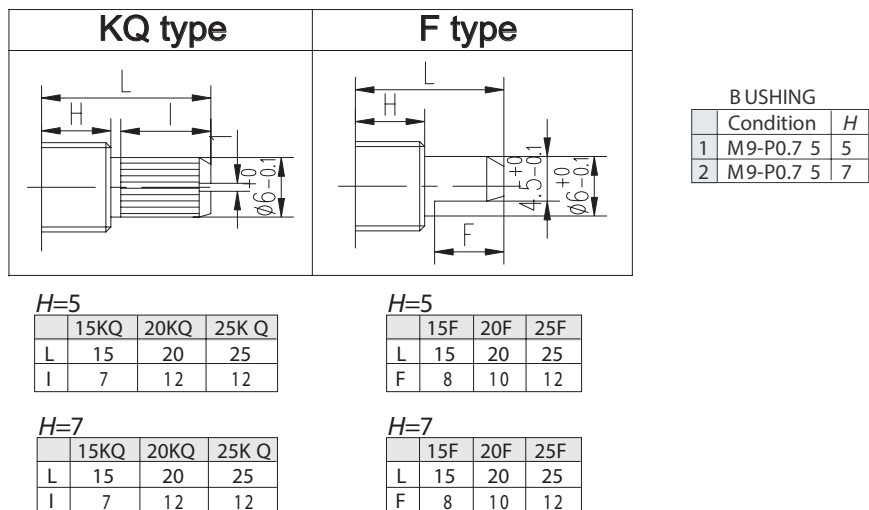
parameter	conditions/description	min	typ	max	units
operating temperature		-10		65	°C
storage temperature		-40		75	°C
humidity		85			% RH
vibration	0.75 mm max. travel for 2 hours	10		55	Hz

- Notes:
1. It is recommended to use products within 6 months.
  2. For storage conditions, it is recommended to keep away from direct sunlight, corrosive gas, or high humidity conditions.
  3. Use the product as soon as possible once the plastic bag has been unsealed, and reseal the bag if product is not immediately used.
  4. The products are packaged in sealed bags with anti humidity tablets.

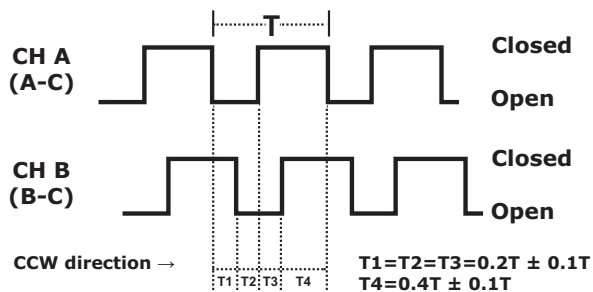
## PART NUMBER KEY



## SHAFT OPTIONS



## OUTPUT WAVEFORM



## DETENT POSITIONS

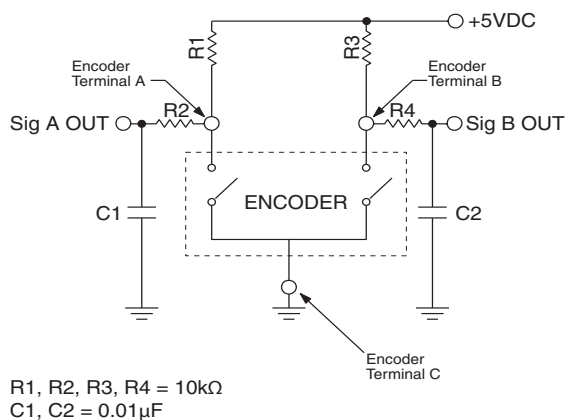


## SLIDING NOISE

$t$  = Masking time to avoid chatter (5mS)  $V_1 = V_2 = 1V$  max.



## SUGGESTED FILTER



## MECHANICAL DRAWING (HORIZONTAL)

ACZ16NBRXE

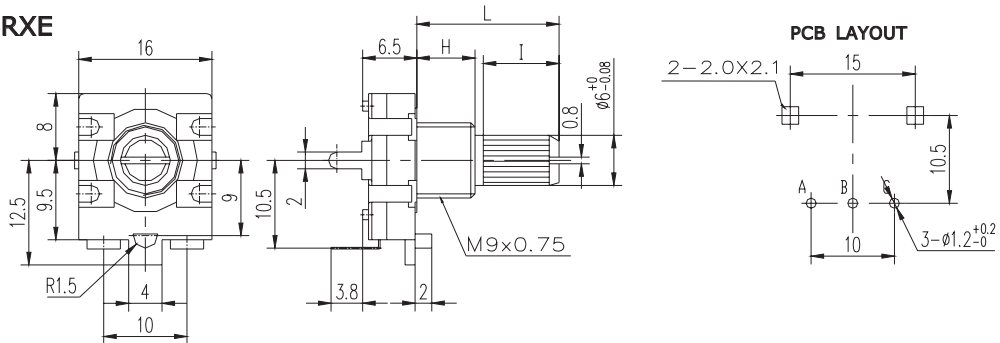


ACZ16BRXE



## MECHANICAL DRAWING (VERTICAL)

ACZ16NBRXE



ACZ16BRXE

