

SERIES: ACZ16 | **DESCRIPTION:** MECHANICAL INCREMENTAL ENCODER

ELECTRICAL SPECIFICATIONS

| parameter | conditions/description | min | typ | max | units |
|-------------------------|--|-----|-----|-----|-------|
| output waveform | square wave | | | | |
| output signals | A, B phase | | | | |
| current consumption | 0.5 mA | | | | |
| output phase difference | T1, T2, T3, T4 ≥ 3.5 ms @ 60 rpm (see output waveform) | | | | |
| supply voltage | 5 V dc max. | | | | |
| output resolution | 12, 24 ppr | | | | |
| insulation resistance | 50 V dc, 100 MΩ | | | | |
| withstand voltage | 50 V ac | | | | |

MECHANICAL SPECIFICATIONS

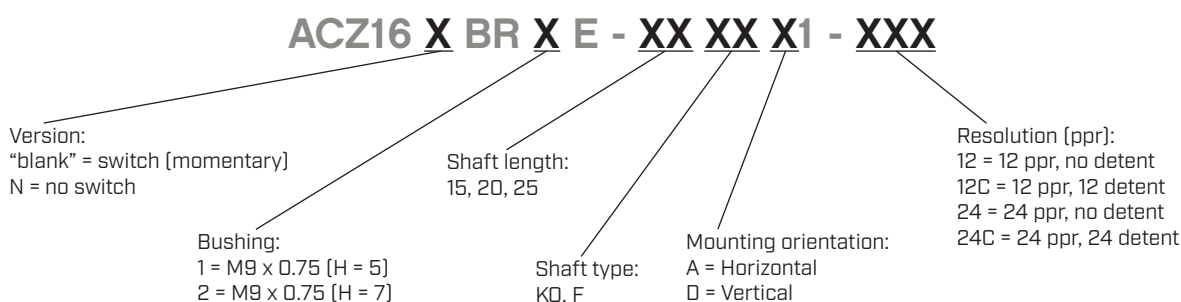
| parameter | conditions/description | min | typ | max | units |
|-------------------|------------------------|-----|-----|---------|--------|
| shaft load | axial | | | 7 | kgf |
| rotational torque | with detent click | 50 | | 130 | gf·cm |
| | without detent click | 90 | | 210 | gf·cm |
| rotational life | | | | 100,000 | cycles |

ENVIRONMENTAL SPECIFICATIONS

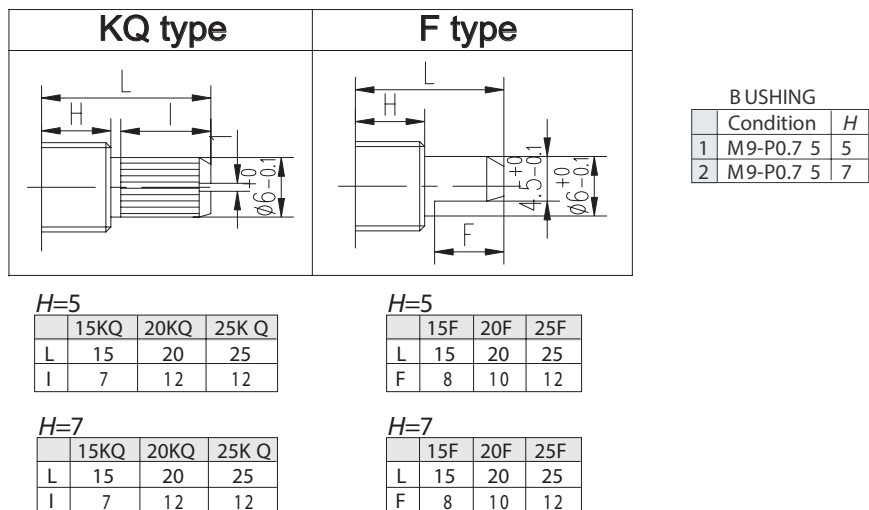
| parameter | conditions/description | min | typ | max | units |
|-----------------------|---------------------------------|-----|-----|-----|-------|
| operating temperature | | -10 | | 65 | °C |
| storage temperature | | -40 | | 75 | °C |
| humidity | | 85 | | | % RH |
| vibration | 0.75 mm max. travel for 2 hours | 10 | | 55 | Hz |

- Notes:
1. It is recommended to use products within 6 months.
 2. For storage conditions, it is recommended to keep away from direct sunlight, corrosive gas, or high humidity conditions.
 3. Use the product as soon as possible once the plastic bag has been unsealed, and reseal the bag if product is not immediately used.
 4. The products are packaged in sealed bags with anti humidity tablets.

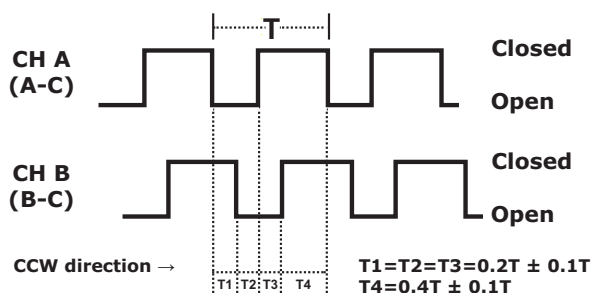
PART NUMBER KEY



SHAFT OPTIONS



OUTPUT WAVEFORM



DETENT POSITIONS

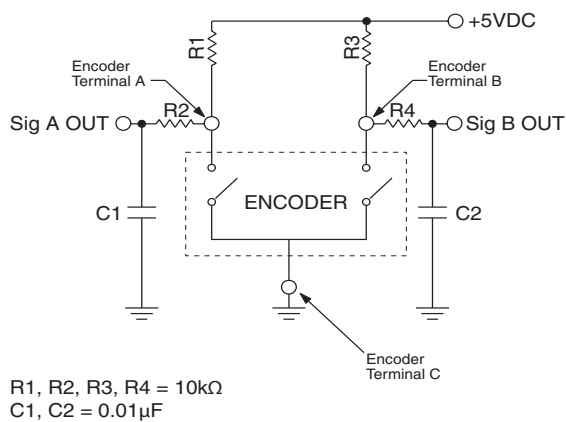


SLIDING NOISE

$t =$ Masking time to avoid chatter (5mS) $V_1 = V_2 = 1V$ max.



SUGGESTED FILTER



MECHANICAL DRAWING (HORIZONTAL)

ACZ16NBRXE

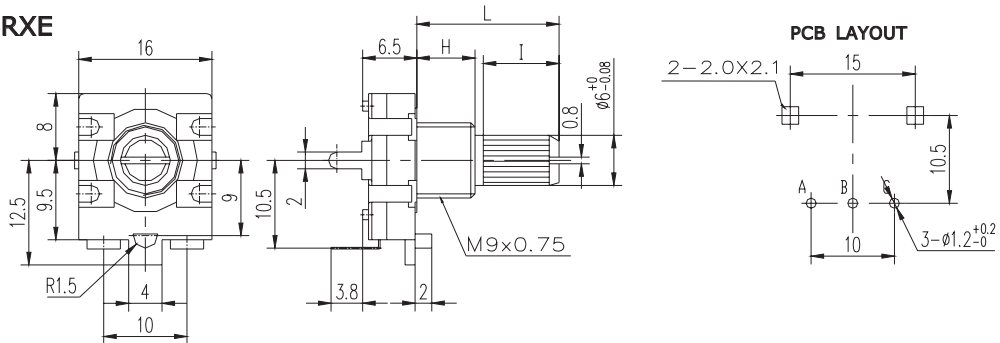


ACZ16BRXE



MECHANICAL DRAWING (VERTICAL)

ACZ16NBRXE



ACZ16BRXE

