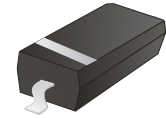


ACZRW4689-G

Voltage: 5.1Volts

Power: 350mW

RoHS Device

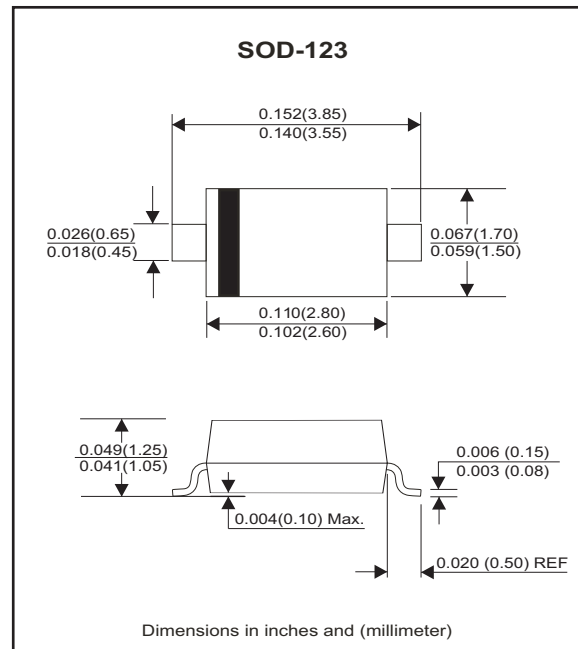


Features

- For surface mounted applications.
- Wide zener reverse voltage range.
- Small package size for high density applications.
- ESD Rating of class 3(>16KV) per human body model.
- MAXIMUM Case temperature for soldering purposes: 260°C for 10 Seconds
- Comply with AEC-Q101

Mechanical data

- Case: SOD-123 , Void-free, transfer-molded, thermosetting plastic case.
- Finish: Corrosion resistant finish, easily solderable.
- Terminals: Solder Plated,solderable per MIL-STD-750,method 2026.
- Polarity: Cathode band.
- Weight: 0.01 grams(approx.).



Circuit diagram



Maximum Rating (at $T_A=25^\circ\text{C}$ unless otherwise specified)

Parameter	Symbol	Value	Unit
Maximum forward voltage @ $I_F=10\text{mA}$	V_F	0.9	V
Maximum power dissipation	P_D	350	mW
Thermal resistance, Junction to ambient air	$R_{\theta JA}$	357	$^\circ\text{C}/\text{W}$
Junction temperature range	T_J	-65 to +150	$^\circ\text{C}$
Storage temperature range	T_{STG}	-65 to +150	$^\circ\text{C}$

Notes: Device mounted on ceramic PCB; 5.0mm*7.0mm with pad areas 35mm².

Electrical Characteristics (at $T_A=25^\circ\text{C}$ unless otherwise specified)

Part Number	Zener Voltage (Note 1)			Leakage Current		Marking Code	
	$V_Z(\text{Volts})$			$@I_{ZT}$	$I_R@V_R$		
	Min	Nom	Max	μA	μA		Volts
ACZRW4689-G	4.85	5.1	5.36	50	10	3.0	CU

Notes: 1. Nominal Zener voltage is measured with the device junction in thermal equilibrium at $T_L=30^\circ\text{C} \pm 1^\circ\text{C}$

Company reserves the right to improve product design , functions and reliability without notice.

REV:A

RATING AND CHARACTERISTIC CURVES (ACZRW4689-G)

Fig.1 - Forward Characteristics

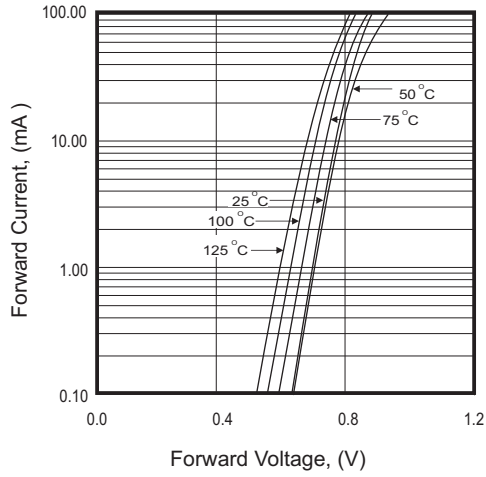


Fig.2 - Reverse Characteristic

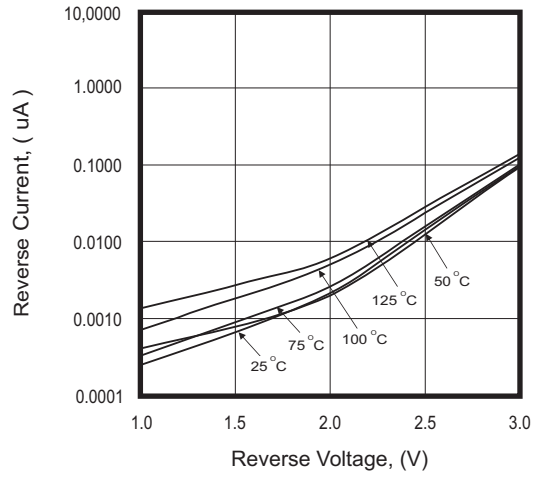


Fig.3 - Capacitance Between Terminals Characteristics

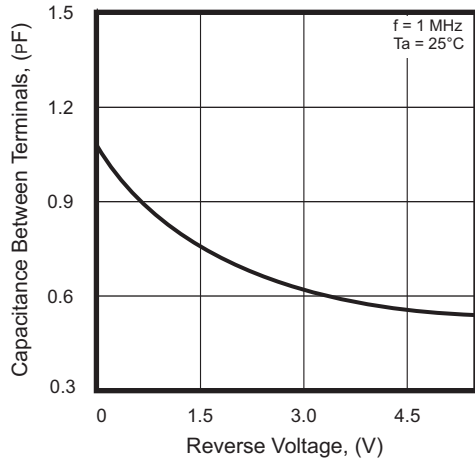
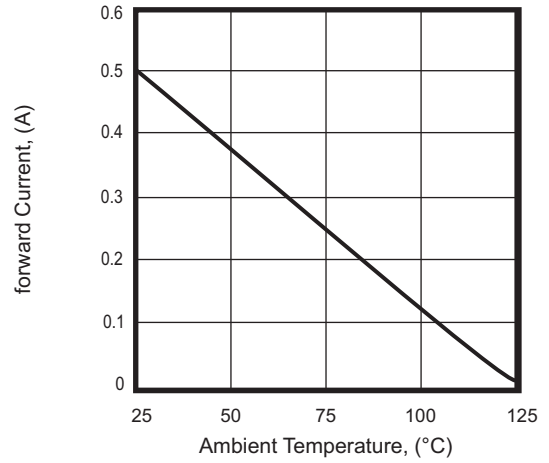
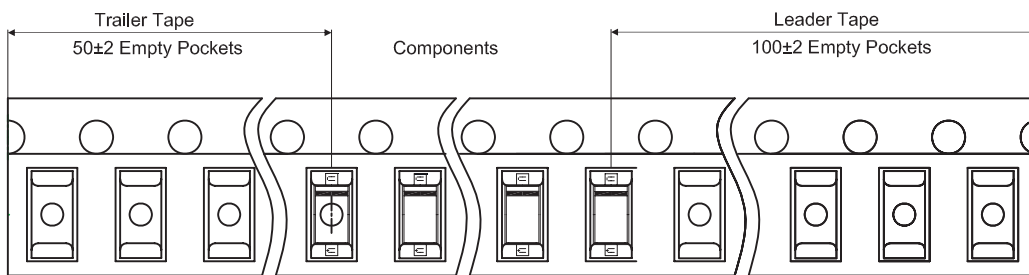
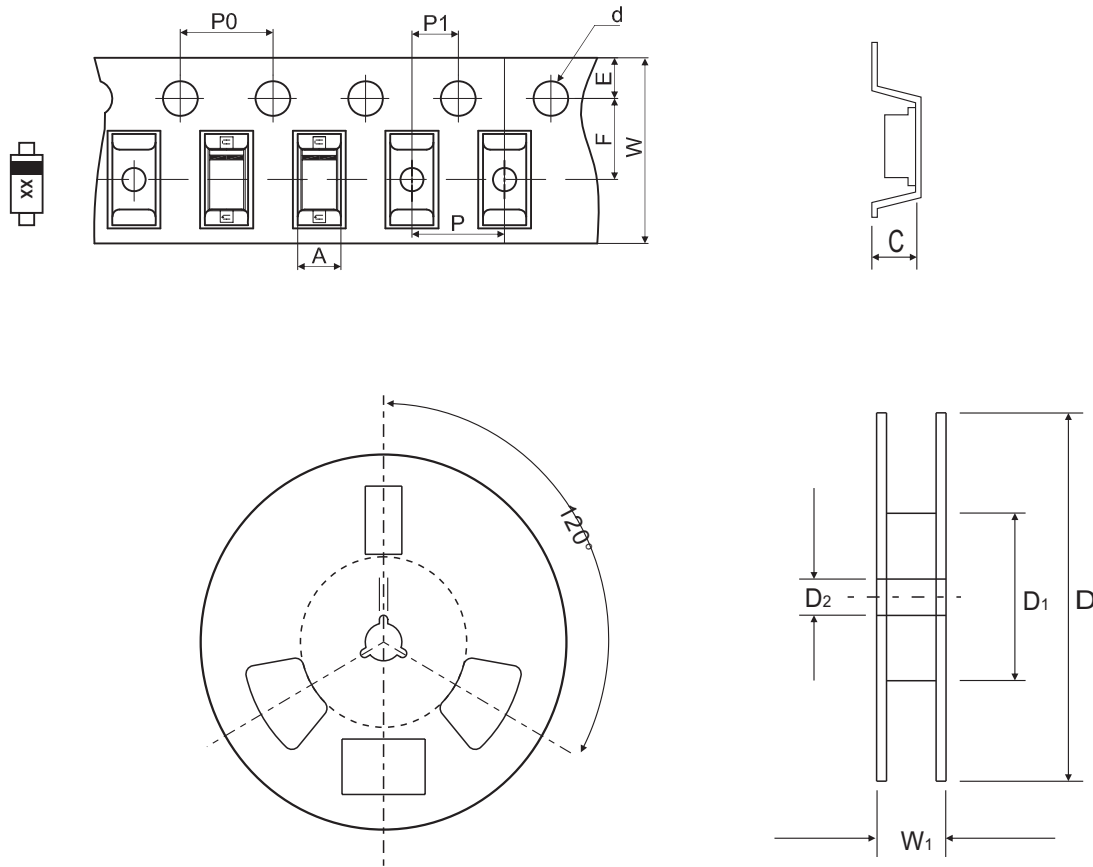


Fig.4 - Power Derating



Reel Taping Specification



SOD-123	SYMBOL	A	B	C	d	D	D ₁	D ₂
	(mm)	1.85 ± 0.05	3.94 ± 0.05	1.57 ± 0.05	1.55 ± 0.10	178.00 ± 2.00	54.40 ± 1.00	13.00 ± 1.00
	(inch)	0.073 ± 0.002	0.155 ± 0.002	0.062 ± 0.002	0.061 ± 0.004	7.008 ± 0.079	2.142 ± 0.039	0.512 ± 0.039

SOD-123	SYMBOL	E	F	P	P ₀	P ₁	W	W ₁
	(mm)	1.75 ± 0.10	3.50 ± 0.10	4.00 ± 0.10	4.00 ± 0.10	2.00 ± 0.10	8.00 +0.30/-0.10	12.30 ± 1.00
	(inch)	0.069 ± 0.004	0.138 ± 0.004	0.157 ± 0.004	0.157 ± 0.004	0.079 ± 0.004	0.315 +0.012/-0.004	0.484 ± 0.039