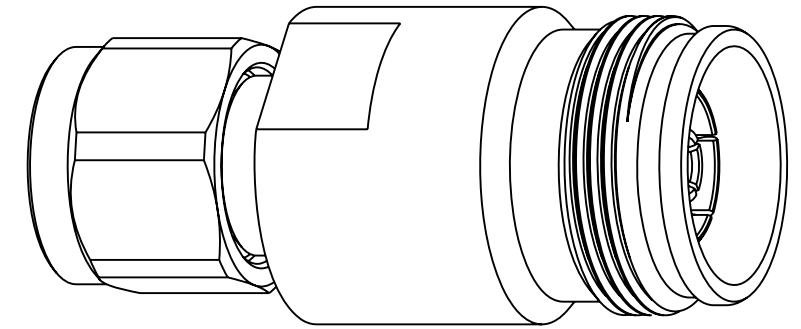


NOTES:

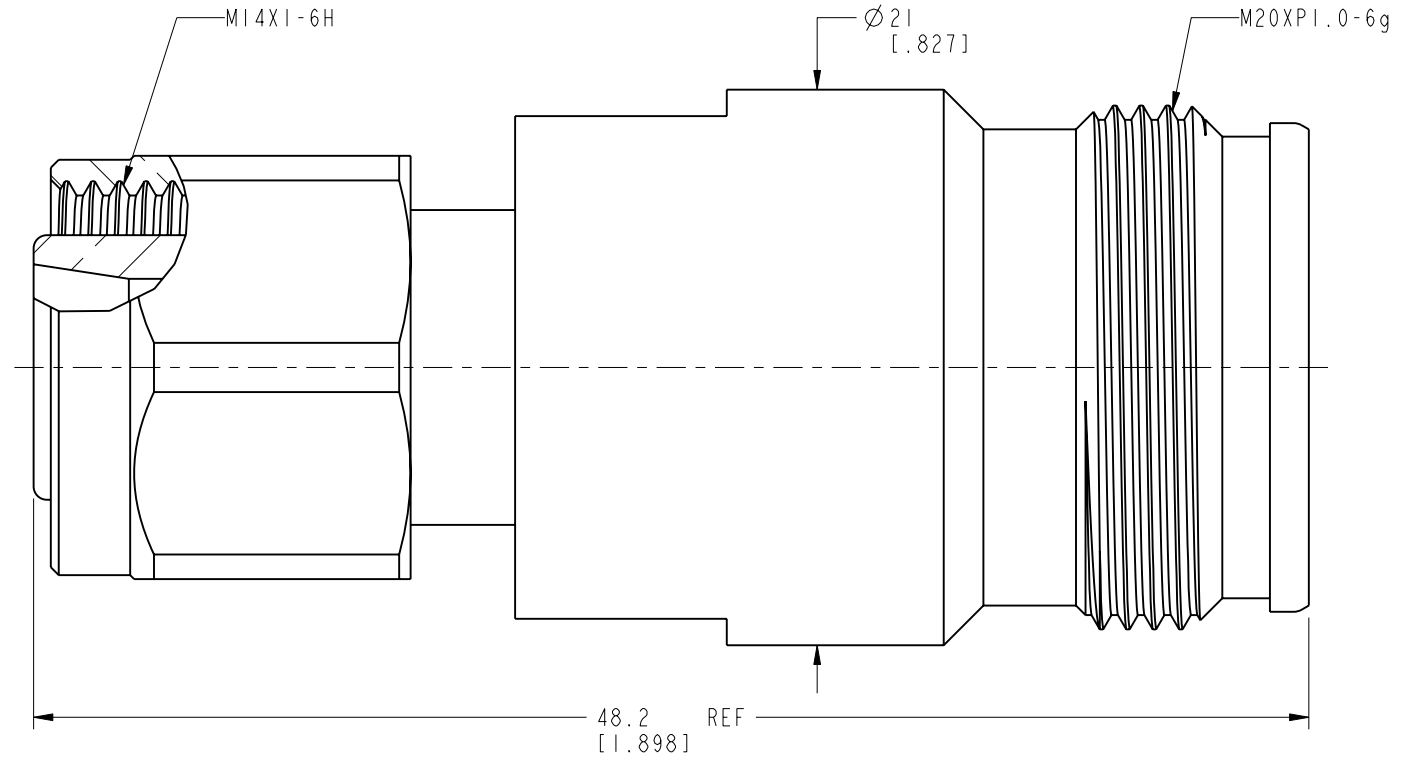
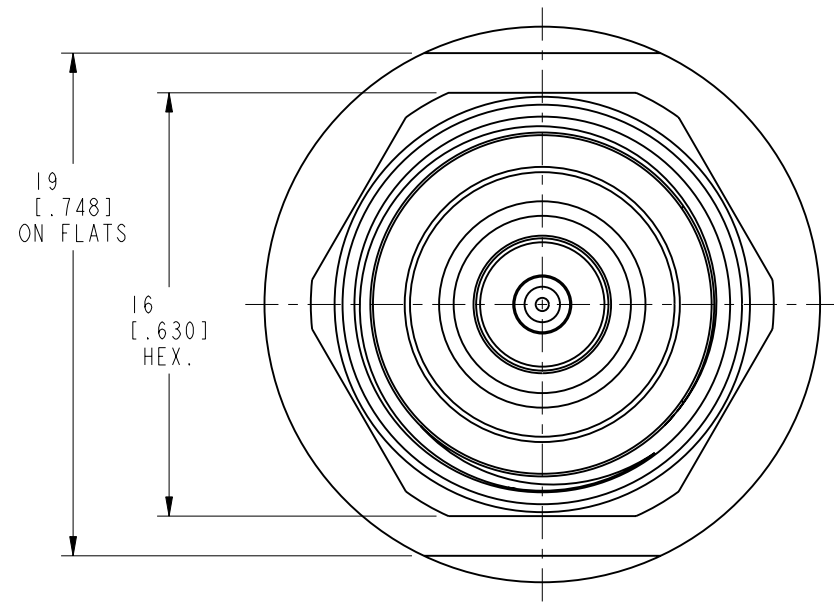
1. MATERIALS AND FINISHES:
 BODY - BRASS, WHITE BRONZE PLATING
 CONTACT - BeCu, SILVER PLATING
 INSULATOR - PTFE, NATURAL
2. ELECTRICAL:
 A. IMPEDANCE: 50 OHM
 B. FREQUENCY RANGE: DC - 6 GHz
 C. VSWR(RETURN LOSS): 30 dB @ DC - 2 GHz
 25 dB @ 2 - 6 GHz
 D. INTERMODULATION 3RD ORDER: -166 dBc MAX. (2*43 dBm)
 E. DIELECTRIC WITHSTANDING VOLTAGE: 2500 VRMS, MIN.
 F. INSULATION RESISTANCE: 5000 MΩ MIN.
3. MECHANICAL:
 A. DURABILITY: 100 CYCLES MIN. (4.3-10 SIDE)
 100 CYCLES MIN. (2.2-5 SIDE)
 B. TEMPERATURE RANGE: -55° C TO 100° C
4. PACKAGING:
 A. QUANTITY: SINGLE PACK
 B. MARKING: PACKAGING TO BE MARKED
 "AMPHENOL RF, AD-4310J225P-1, AND DATE CODE"

THIRD ANGLE PROJ.

REVISIONS				
REV	DESCRIPTION	DATE	ECN	APPR
A	RELEASE TO MFG	03-Dec-18	09804	SV



SCALE 2.000



CUSTOMER OUTLINE DRAWING

ALL OTHER SHEETS ARE FOR INTERNAL USE ONLY

UNLESS OTHERWISE SPECIFIED, DIMENSIONS ARE IN METRIC AND TOLERANCES ARE: <0.5mm ±0.05mm 0.5 - 6mm ±0.1mm 6 - 30mm ±0.2mm 30 - 120mm ±0.3mm ANGLES ±1°	MATERIAL SEE NOTES	DRAWN K. SONG	DATE 05-Dec-18	TITLE 2.2-5 PLUG TO 4.3-10 JACK ADAPTER		Amphenol RF	
	REFERENCE EAR# 8104 REF: ---	ENGINEER S. VO	DATE 15-May-18			www.amphenolrf.com	
NOTICE - These drawings, specifications, or other data (1) are, and remain the property of Amphenol corp. (2) must be returned upon request; and (3) are confidential and not to be disclosed to any person other than those to whom they are given by Amphenol Corp. the furnishing of these drawings, specifications, or other data by Amphenol Corp., or to any other person to anyone for any purpose is not to be regarded by implication or otherwise in any manner licensing, granting rights to permitting such holder or any other person to manufacture, use or sell any product, process or design, patented or otherwise, that may in any way be related to or disclosed by said drawings, specifications, or other data.	CONFIGURATION LEVEL: In Work	APPROVED S. HSIEH	DATE 11-Dec-18	SCALE: 3.5:1.0 SHEET 2 OF 2		DRAWING NO. AD-4310J225P-1	
	FINISH	CAD FILE		DWG SIZE B	REV A	ITEM NO. AD-4310J225P-1	
							PART NO. AD-4310J225P-1