

NOTES:

1. MATERIAL AND FINISH (PLATING THICKNESS IN MICRO-INCHES):
 BODY - BRASS, ALBALOY PLATING
 CONTACT BODY - PHOSPHOR BRONZE, ALBALOY PLATING
 CONTACT PIN - BERYLLIUM COPPER, SILVER PLATING
 INSULATOR - PTFE, NATURAL

2. ELECTRICAL:

- A. IMPEDANCE: 50 OHM
- B. FREQUENCY RANGE: DC-6 GHz
- C. RETURN LOSS: 1.08 MAX. @ DC-4GHz
 1.1 MAX. @ 4-6 GHz
- D. INSERTION LOSS: 0.05+0.05*SQRT(f) dB
- E. INTERMODULATION 3RD ORDER: -166 dBc MAX. (2*43 dBm)
- F. DIELECTRIC WITHSTANDING VOLTAGE: 2500 VRMS. MIN. 60 Hz
- G. INSULATION RESISTANCE: 5000 MΩ MIN.

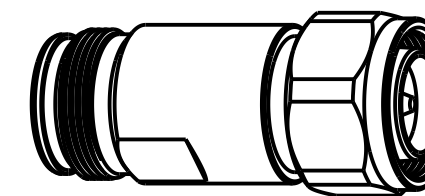
3. MECHANICAL:

- A. DURABILITY: 500 CYCLES MIN.
- B. TEMPERATURE RANGE: -65°C TO +165°C

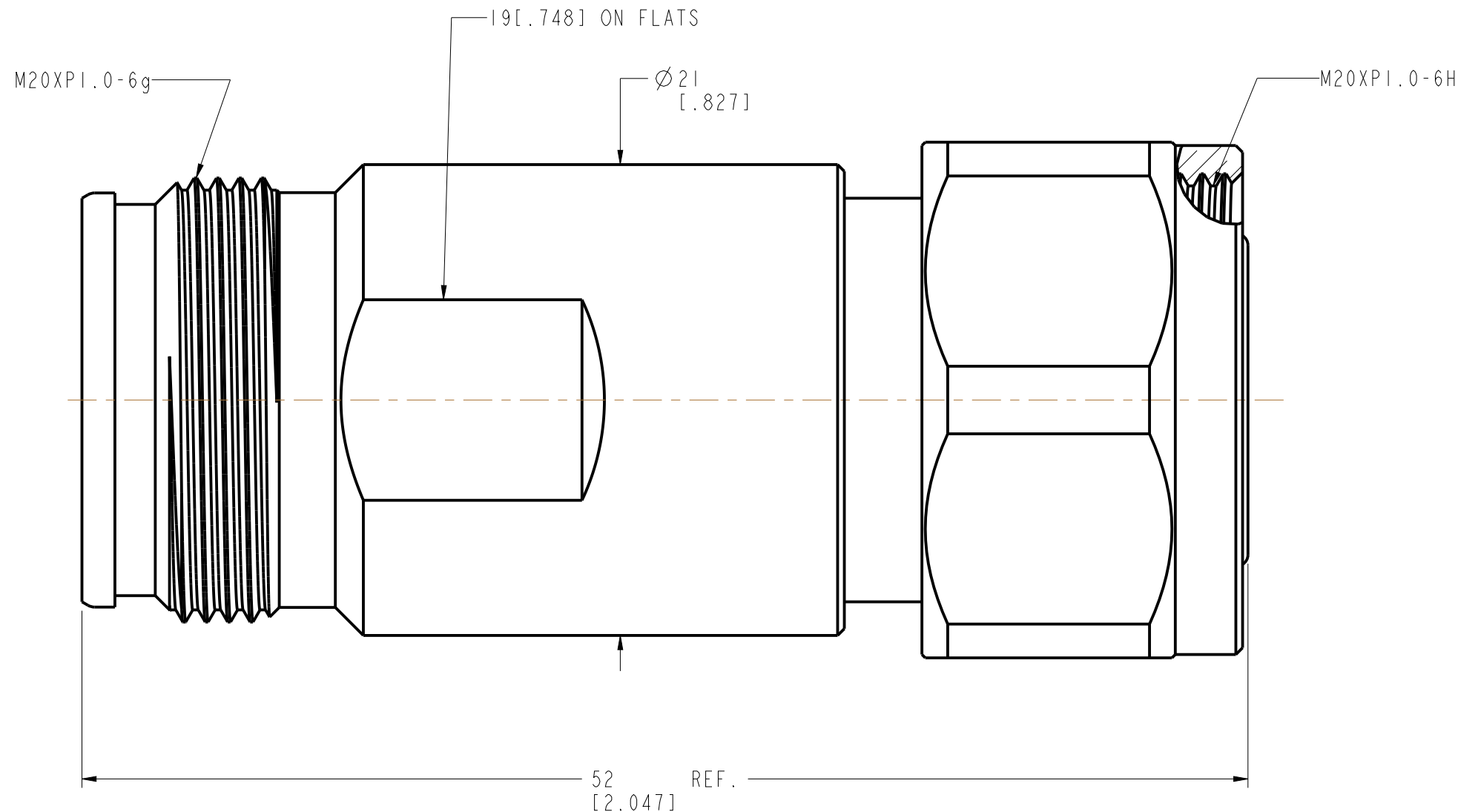
THIRD ANGLE PROJ.

REVISIONS

REV	DESCRIPTION	DATE	ECO	APPR
A	RELEASE TO MFG.	3/22/16	00201	KCE



SCALE 1.000



CUSTOMER OUTLINE DRAWING
 ALL OTHER SHEETS ARE FOR INTERNAL USE ONLY

UNLESS OTHERWISE SPECIFIED, DIMENSIONS ARE IN METRIC AND TOLERANCES ARE:
 <0.5mm ±0.05mm 0.5 - 6mm ±0.1mm 6 - 30mm ±0.2mm 30 - 120mm ±0.3mm ANGLES ±1°

NOTICE - These drawings, specifications, or other data (1) are, and remain the property of Amphenol corp. (2) must be returned upon request; and (3) are confidential and not to be disclosed to any person other than those to whom they are given by Amphenol Corp. the furnishing of these drawings, specifications, or other data by Amphenol Corp., or to any other person to anyone for any purpose is not to be regarded by implication or otherwise in any manner licensing, granting rights to permitting such holder or any other sperson to manufacture, use or sell any product, process or design, patented or otherwise, that may in any way be related to or disclosed by said drawings, specifications, or other data.

MATERIAL	DRAWN JEKY.C	DATE 29-Dec-14	TITLE 4.3-10 JACK TO 4.3-10 PLUG ADAPTER		Amphenol RF www.amphenolrf.com
REFERENCE EAR 6396	ENGINEER	DATE 29-Dec-14	DRAWING NO. 4310F-4310M-ATS		
CONFIGURATION LEVEL:	APPROVED	DATE	SCALE: 4.0:1.0	SHEET 2 OF 2	ITEM NO. 88F-88M-AB-5-F
FINISH	CAD FILE		DWG SIZE B	REV A	PART NO. AD-4310P4310J-1