
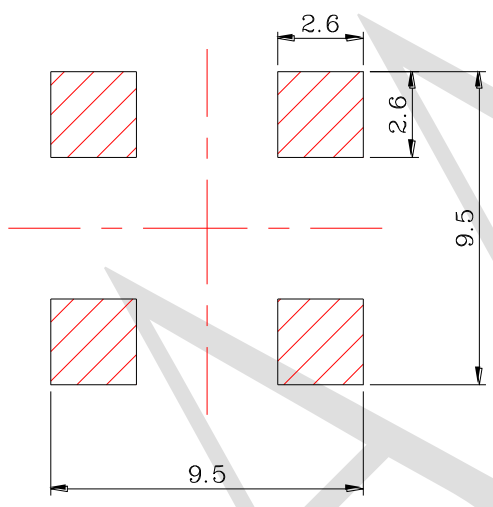
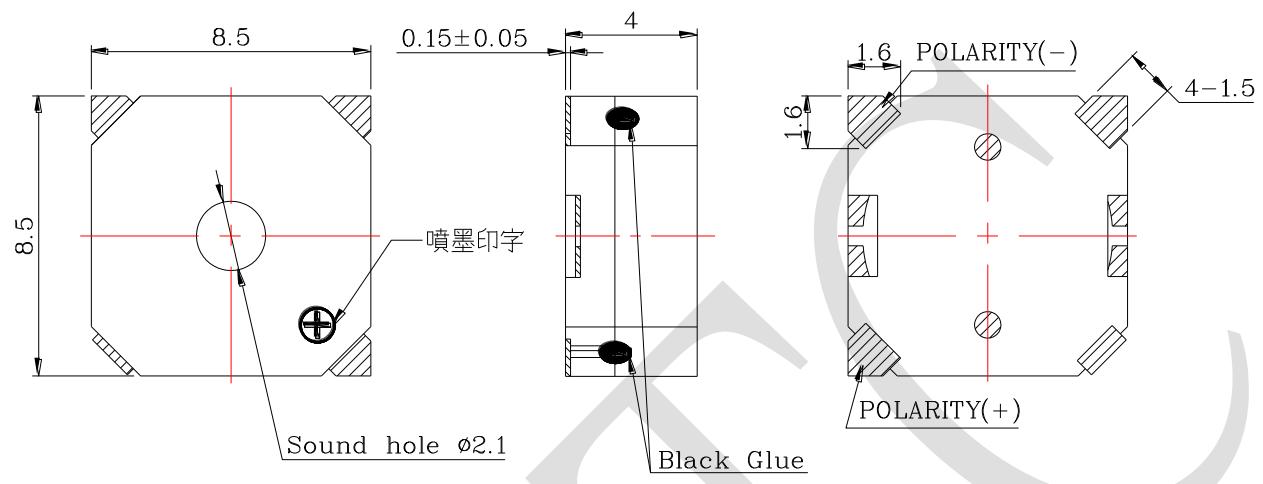


1. SPECIFICATION

AD-8504-1BX

ITEM		UNITS	SPECIFICATIONS	CONDITIONS
01	Rated Voltage	V	3.6	
02	Operating Voltage	V	2 ~ 4	
03	Consumption Current	mA (Max)	Mean : 80	Standard state, standard drive circuit. Rated voltage, rated frequency, Square wave 1/2 duty.
			Peak : 240	
04	Sound pressure level (Distance at 10cm)	dB(A) (Min)	85	
05	Direct Current Resistance	Ω	17 ± 3	
06	Rated Frequency	Hz	2710	

REV NO.	REVISION NOTE	APPROVAL	DATE
---------	---------------	----------	------



RECOMMENDED PCB LAYOUT

RoHS

TITLE: SOUND TRANSDUCER (SMD)		DRAWN: Zack	2017/04/25	SCALE: 1:1	SHEET: 1 : 1
PART NO. AD-8504-1BX		DESIGNED: R & D OF AAT	UNITS: mm		
DWG NO. FDM-1057 SMD-085040F-03627		2	TOLERANCE ± 0.5		
		REV	UNLESS OTHERWISE SPECIFIED: ONE PLACE DECIMAL ± *** TWO PLACE DECIMAL ± *** THREE PLACE DECIMAL ± ***		
		CHECKED:			
		APPROVAL:			
		MATERIAL: LCP			



ADVANCED ACOUSTIC TECHNOLOGY CORPORATION