
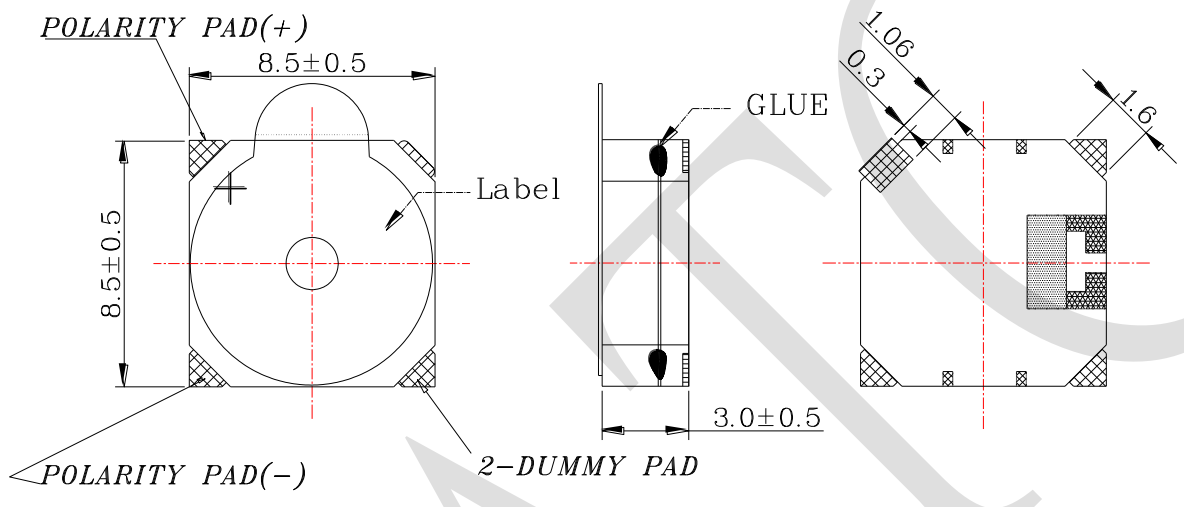


1. SPECIFICATION

AD-8504-CQ9-LF

| ITEM | | UNITS | SPECIFICATIONS | CONDITIONS |
|------|---|---------------|----------------|--|
| 01 | Rated Voltage | V | 3.6 |  |
| 02 | Operating Voltage | V | 2.5 ~ 4.5 | |
| 03 | Consumption Current | mA Max. | 100 | Standard state, standard drive circuit. Square wave 1/2 duty. |
| 04 | Sound pressure level (Distance at 10cm) | dB(A) Min. | 87 | Rated voltage, rated frequency. |
| 05 | Direct Current Resistance | Ω | 16 \pm 3 | |
| 06 | Rated Frequency | Hz | 2730 | |

| | | | |
|---------|---------------|----------|------|
| REV NO. | REVISION NOTE | APPROVAL | DATE |
|---------|---------------|----------|------|



RoHS

| | | | | | |
|-------------------------------|-----|------------------------|------------|-------------------------------|-----------------------------|
| TITLE: SOUND TRANSDUCER (SMD) | | DRAWN: Mace | 2019-02-27 | SCALE: 1:1 | SHEET: 1 : 1 |
| PART NO. AD-8504-CQ9-LF | 4 | DESIGNED: R & D OF AAT | | UNITS: mm | TOLERANCE ± 0.3 |
| DWG NO. UGCT8503CD4 | | CHECKED: | | UNLESS OTHERWISE SPECIFIED: | |
| | REV | APPROVAL: | | ONE PLACE DECIMAL \pm *** | TWO PLACE DECIMAL \pm *** |
| | | MATERIAL: LCP | | THREE PLACE DECIMAL \pm *** | |



ADVANCED ACOUSTIC TECHNOLOGY CORPORATION