
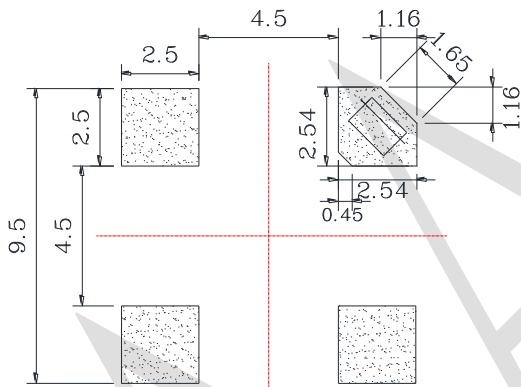
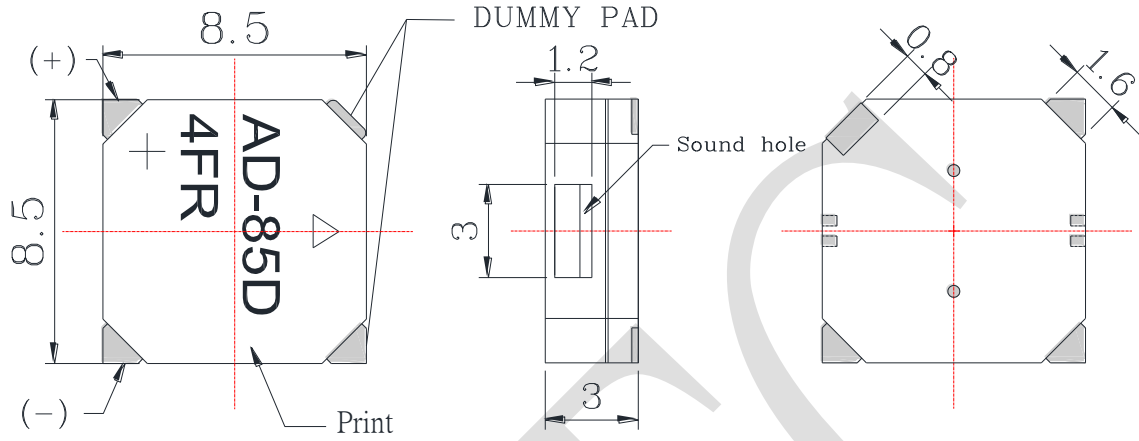


1. SPECIFICATION

AD-85D4FR

ITEM		UNITS	SPECIFICATIONS	CONDITIONS
01	Rated Voltage	V	3.6	
02	Operating Voltage	V	2.5 ~ 4.5	
03	Consumption Current	mA Max.	100	Standard state, standard drive circuit. Square wave 1/2 duty.
04	Sound pressure level (Distance at 10cm)	dB(A) Min.	90	Rated voltage, rated frequency.
05	Direct Current Resistance	Ω	16 \pm 3	
06	Rated Frequency	Hz	4000	

REV NO.	REVISION NOTE	APPROVAL	DATE
---------	---------------	----------	------



RECOMMENDED P.C.B LAYOUT

RoHS

TITLE: SOUND TRANSDUCER (SMD)		DRAWN: Hank	2019/12/24	SCALE: 1:1	SHEET: 1 : 1
PART NO. AD-85D4FR		DESIGNED: R & D OF AAT	UNITS: mm		
DWG NO.		CHECKED:	TOLERANCE ± 0.5		
		APPROVAL:	UNLESS OTHERWISE SPECIFIED:		
REV 5		MATERIAL: LCP	ONE PLACE DECIMAL ± ***		
			TWO PLACE DECIMAL ± ***		
			THREE PLACE DECIMAL ± ***		



ADVANCED ACOUSTIC TECHNOLOGY CORPORATION