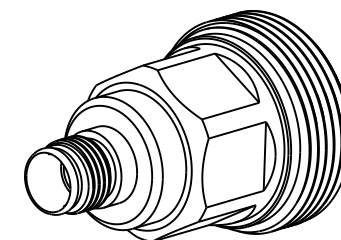


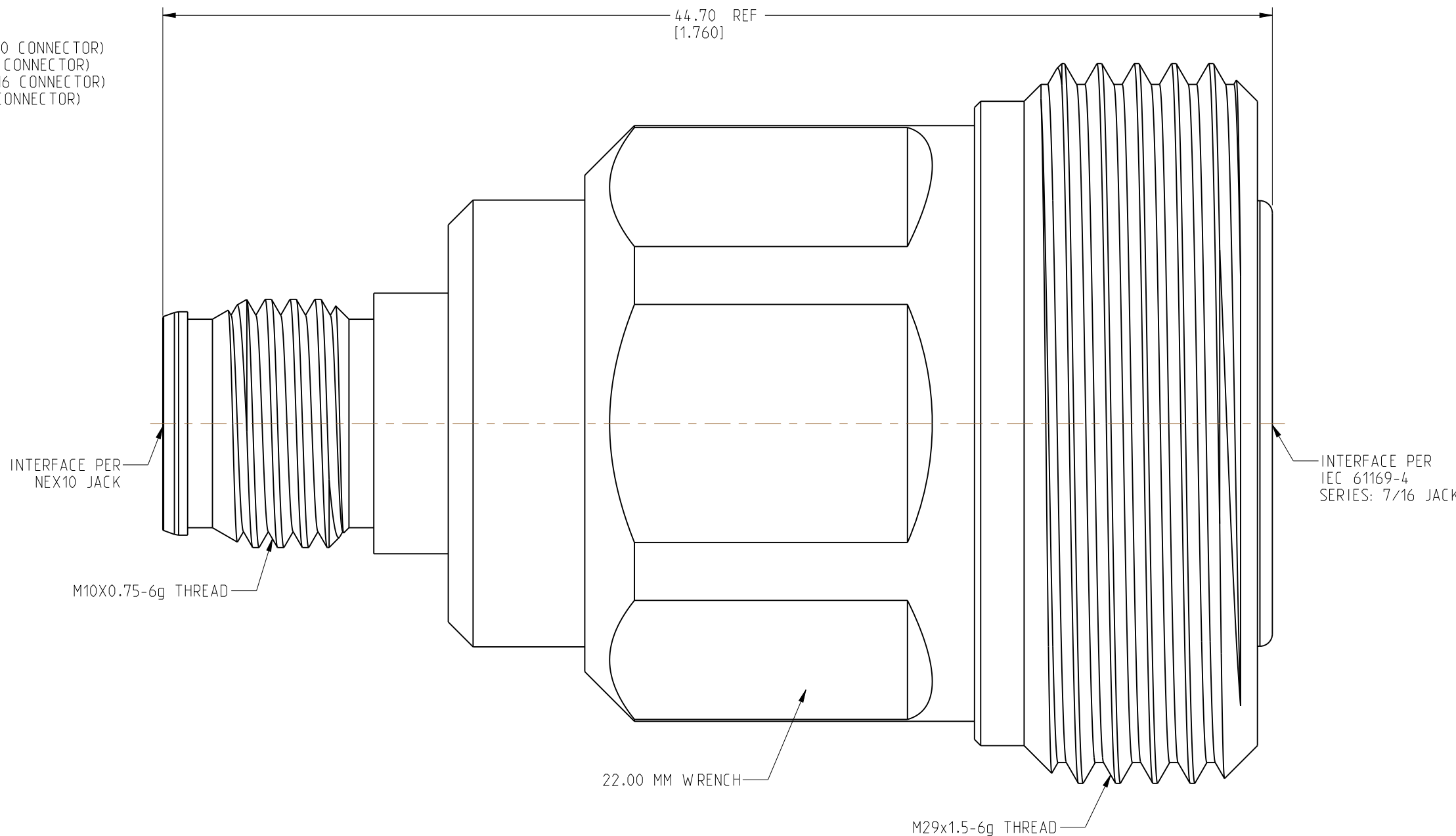
NOTES:

1. MATERIALS AND FINISHES:
 BODY - BRASS, COPPER-TIN-ZINC 3µm
 CONTACT - BeCu, Ag3µm
 INSULATOR - PTFE, NATURAL
 O-RING - SILICONE RUBBER
2. ELECTRICAL:
 A. IMPEDANCE: 50 OHM
 B. FREQUENCY RANGE: DC - 6 GHz
 C. VSWR: 1.13 MAX.
 D. INSERTION LOSS: 0.10 dB MAX. @ DC - 3 GHz
 E. PIM: -163 dBC MIN.
 F. INSULATION RESISTANCE: 5000 MΩ MIN.
 G. DIELECTRIC WITHSTANDING VOLTAGE: 1000 VRMS, MIN.
 H. POWER : 260 WATTS @ DC - 3 GHz
 I. SCREEN EFFICIENCY : -110 dB MIN.
 J. CONTACT RESISTANCE: CENTER CONTACT 2.0 mΩ MAX. (NEX10 CONNECTOR)
 OUTER CONTACT 1.5 mΩ MAX. (NEX10 CONNECTOR)
 K. CONTACT RESISTANCE: CENTER CONTACT 0.40 mΩ MAX. (7/16 CONNECTOR)
 OUTER CONTACT 1.5 mΩ MAX. (7/16 CONNECTOR)
3. MECHANICAL:
 A. DURABILITY: 100 CYCLES MIN. (NEX10 CONNECTOR)
 500 CYCLES MIN. (7/16 CONNECTOR)
 B. RETENTION: 0.28N MIN. (NEX10 CONNECTOR)
 5.88N MIN. (7/16 CONNECTOR)
 C. AXIAL FORCE: 22N MIN.
4. ENVIRONMENTAL:
 A. TEMPERATURE RANGE: -40°C TO +85°C
 B. WEATHER STANDARD: IEC 60068 40/085/21
 C. THERMAL SHOCK: IEC 60068-2-14-Na
 D. VIBRATION: IEC 60068-2-6-Fc
 E. SHOCK: IEC 60068-2-27
 F. SALT SPRAY: 48 HOURS
 G. ROHS COMPLIANT.
5. PACKAGING:
 A. QUANTITY: SINGLE PACK
 B. MARKING: PACKAGING TO BE MARKED
 "AMPHENOL RF, AD-N10J716J-1 & DATE CODE"

REVISIONS				
REV	DESCRIPTION	DATE	ECN	BY
A	RELEASE TO MFG.	02-AUG-22	16340	VK



SCALE 1.000



CUSTOMER OUTLINE DRAWING

ALL OTHER SHEETS ARE FOR INTERNAL USE ONLY

NOTICE: These drawings, specifications, or other data (1) are, and remain the property of Amphenol corp. (2) must be returned upon request; and (3) are confidential and not to be disclosed to any person other than those to whom they are given by Amphenol Corp. The furnishing of these drawings, specifications, or other data by Amphenol Corp., or to any other person to anyone for any purpose is not to be regarded by implication or otherwise in any manner licensing, granting rights to permitting such holder or any other person to manufacture, use or sell any product, process or design, patented or otherwise, that may in any way be related to or disclosed by said drawings, specifications, or other data.

UNLESS OTHERWISE SPECIFIED
 DIMENSIONS ARE METRIC (INCHES) AND TOLERANCES ARE:
 <0.5mm = ±0.05mm [$\pm 0.020 = \pm 0.002$]
 0.5 - 6mm = ±0.1mm [$\pm 0.020 - 0.236 = \pm 0.004$]
 >6.00 - 30mm = ±0.2mm [$\pm 0.236 - 1.181 = \pm 0.008$]
 >30.00 - 120mm = ±0.3mm [$\pm 1.181 - 4.725 = \pm 0.012$]

MATERIAL: SEE NOTES

ENGR.1 VIJI K ENGR.2 DATE 16-MAY-22

TITLE: NEX10 STR JACK TO 7/16 JACK ADAPTER

SHEET NO. 2 OF 2 SCALE: 7.0:1.0

SIZE B		DRAWING NO. AD-N10J716J-1		REV A
		ITEM NO. AD-N10J716J-1		
		PART NO. AD-N10J716J-1		

THIRD ANGLE PROJ. REFERENCE EAR# 11321

ANGLES = ±1°

DATE 16-MAY-22

SHEET NO. 2 OF 2 SCALE: 7.0:1.0

DRAWING NO. AD-N10J716J-1