

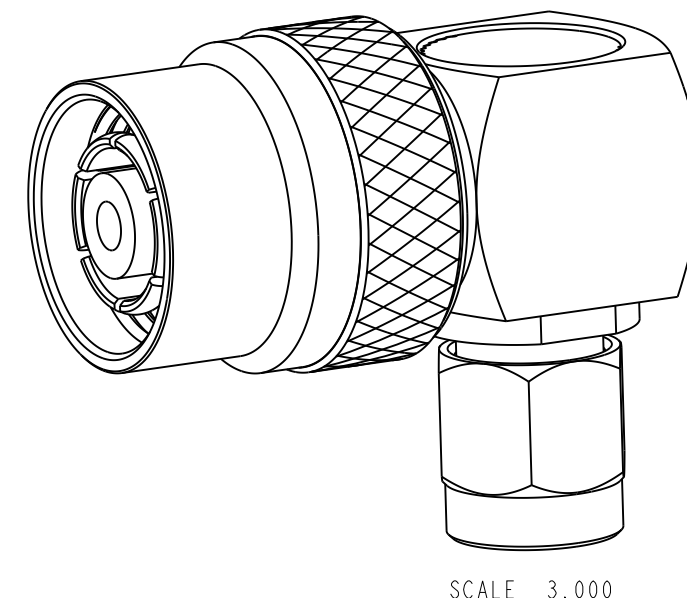
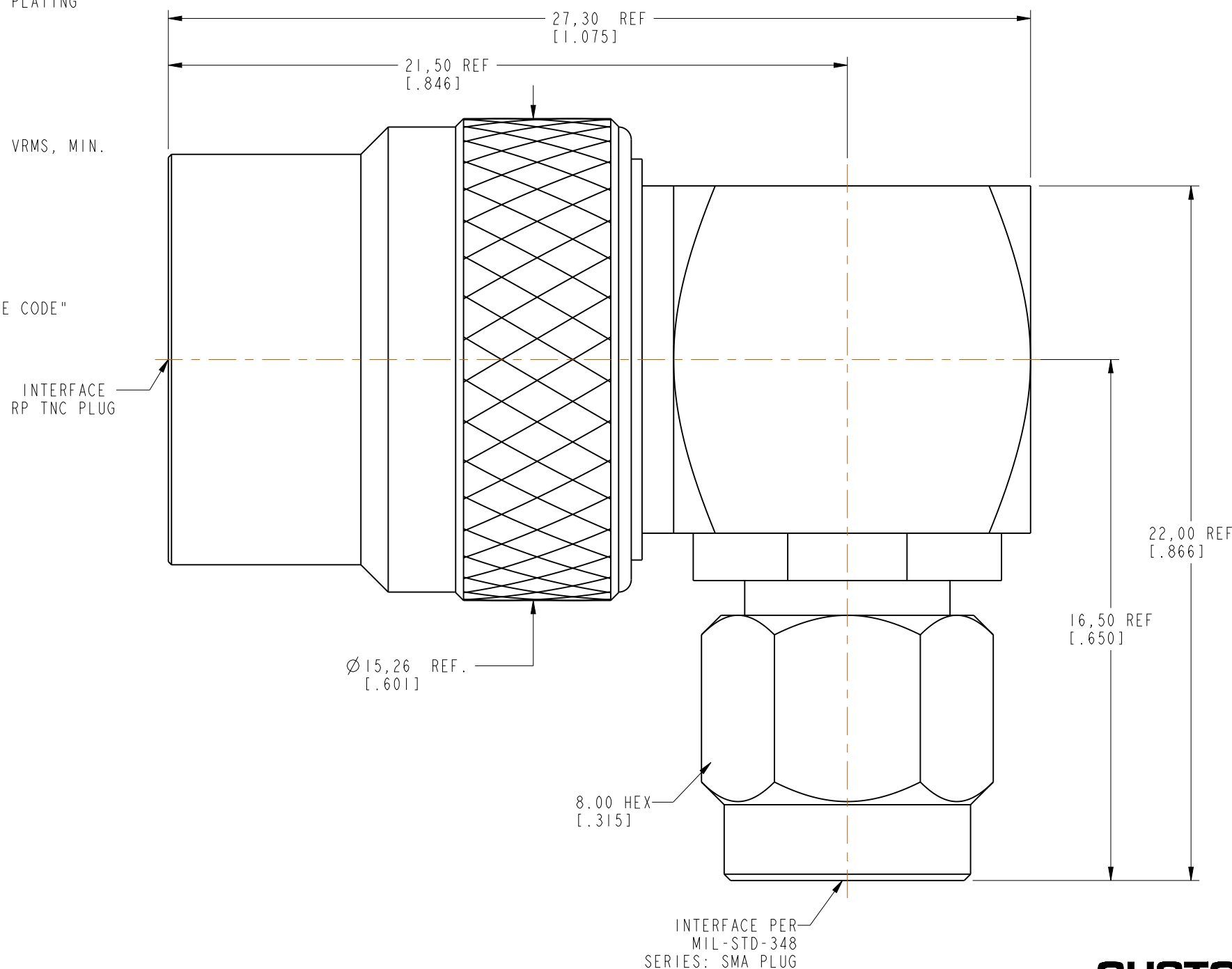
NOTES:

1. MATERIALS AND FINISHES:
 BODY-REAR, BODY, COUPLING NUT, & COVER - BRASS, NICKEL PLATING
 SMA CONTACT - BRASS, GOLD PLATING
 RP TNC CONTACT - BeCu, GOLD PLATING
 INSULATORS - PTFE, NATURAL
 RETAINING RING - STAINLESS STEEL, NATURAL
 RETAINING RING - PHOSPHOR BRONZE, NICKEL PLATING
 GASKETS - SILICONE RUBBER, RED
2. ELECTRICAL:
 A. IMPEDANCE: 50 OHM
 B. FREQUENCY RANGE: DC - 11 GHz
 C. VSWR: 1.15 (23 dB) MAX @ DC - 3 GHz
 1.22 (20 dB) MAX @ 3 - 6 GHz
 D. DIELECTRIC WITHSTANDING VOLTAGE: 1000 VRMS, MIN.
3. MECHANICAL:
 A. DURABILITY: 500 CYCLES MIN.
 B. TEMPERATURE RANGE: -65°C TO +165°C
4. PACKAGING:
 A. QUANTITY: SINGLE PACK
 B. MARKING: BAG TO BE MARKED "AMPHENOL RF, AD-RPTNCPSMAP-1 AND DATE CODE"

THIRD ANGLE PROJ.

REVISIONS

REV	DESCRIPTION	DATE	ECN	APPR
A	RELEASE TO MFG.	12-Oct-18	09324	CJV



CUSTOMER OUTLINE DRAWING

ALL OTHER SHEETS ARE FOR INTERNAL USE ONLY

UNLESS OTHERWISE SPECIFIED, DIMENSIONS ARE IN METRIC AND TOLERANCES ARE: <0.5mm ± 0.05mm 0.5 - 6mm ± 0.1mm 6 - 30mm ± 0.2mm 30 - 120mm ± 0.3mm ANGLES ±1°	MATERIAL	DRAWN	DATE	TITLE RP TNC RA PLUG TO SMA PLUG ADAPTER		Amphenol RF www.amphenolrf.com		
	SEE NOTES	C. VIGORITO	30-Oct-18					
NOTICE - These drawings, specifications, or other data (1) are, and remain the property of Amphenol corp. (2) must be returned upon request; and (3) are confidential and not to be disclosed to any person other than those to whom they are given by Amphenol Corp. the furnishing of these drawings, specifications, or other data by Amphenol Corp., or to any other person to anyone for any purpose is not to be regarded by implication or otherwise in any manner licensing, granting rights to permitting such holder or any other person to manufacture, use or sell any product, process or design, patented or otherwise, that may in any way be related to or disclosed by said drawings, specifications, or other data.	REFERENCE	ENGINEER	DATE	SCALE: 6.0:1.0 SHEET 2 OF 2		DRAWING NO. AD-RPTNCPSMAP-1		
	EAR# 7871	C. VIGORITO	30-Oct-18					
	REF: --	APPROVED	K. CAPOZZI	DATE	DWG SIZE REV B A		ITEM NO. AD-RPTNCPSMAP-1	
	CONFIGURATION LEVEL: In Work	CAD FILE	K. CAPOZZI	30-Oct-18				
FINISH								