

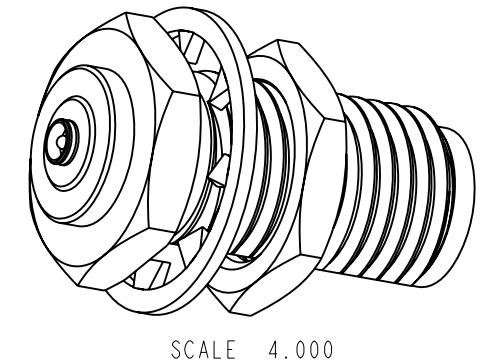
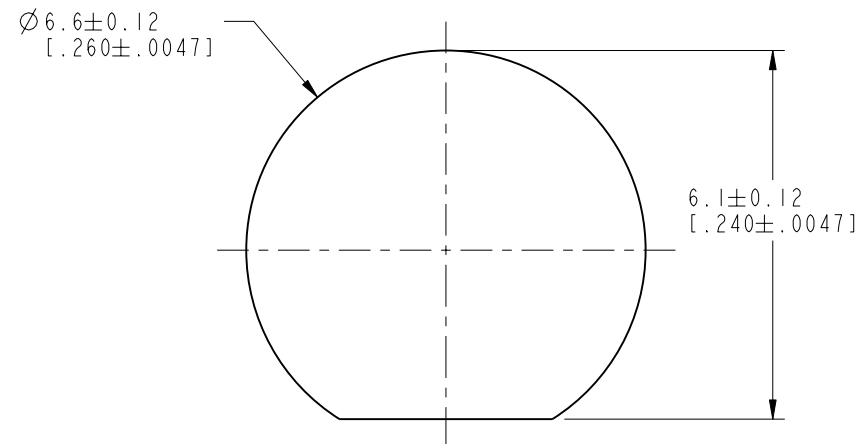
NOTES:

1. MATERIALS AND FINISHES:
 HEX NUT - STAINLESS STEEL, NICKEL PLATING
 LOCK WASHER - PHOSPHOR BRONZE, NICKEL PLATING
 SMA BODY - BRASS, GOLD PLATING
 AMC4 BODY - STAINLESS STEEL, PASSIVATED
 CONTACT - BERYLLIUM COPPER, GOLD PLATING
 INSULATOR - PTFE, NATURAL
2. ELECTRICAL:
 A. IMPEDANCE: 50 OHM
 B. FREQUENCY RANGE: DC-6 GHz
 C. VSWR(RETURN LOSS): 1.3 MAX @ DC-3 GHz
 1.4 MAX @ 3-6 GHz
 D. DIELECTRIC WITHSTANDING VOLTAGE: 100 VRMS, MIN.
3. MECHANICAL:
 A. DURABILITY: 100 CYCLES MIN.
 B. TEMPERATURE RANGE: -65°C TO +165°C
4. MAX. PANEL THICKNESS = 3.18 MM
5. PACKAGING:
 A. QUANTITY: SINGLE PACK
 B. MARKING: PACKAGING TO BE MARKED
 "AMPHENOL RF AD-SMAJAMC4J-1 YYWW"

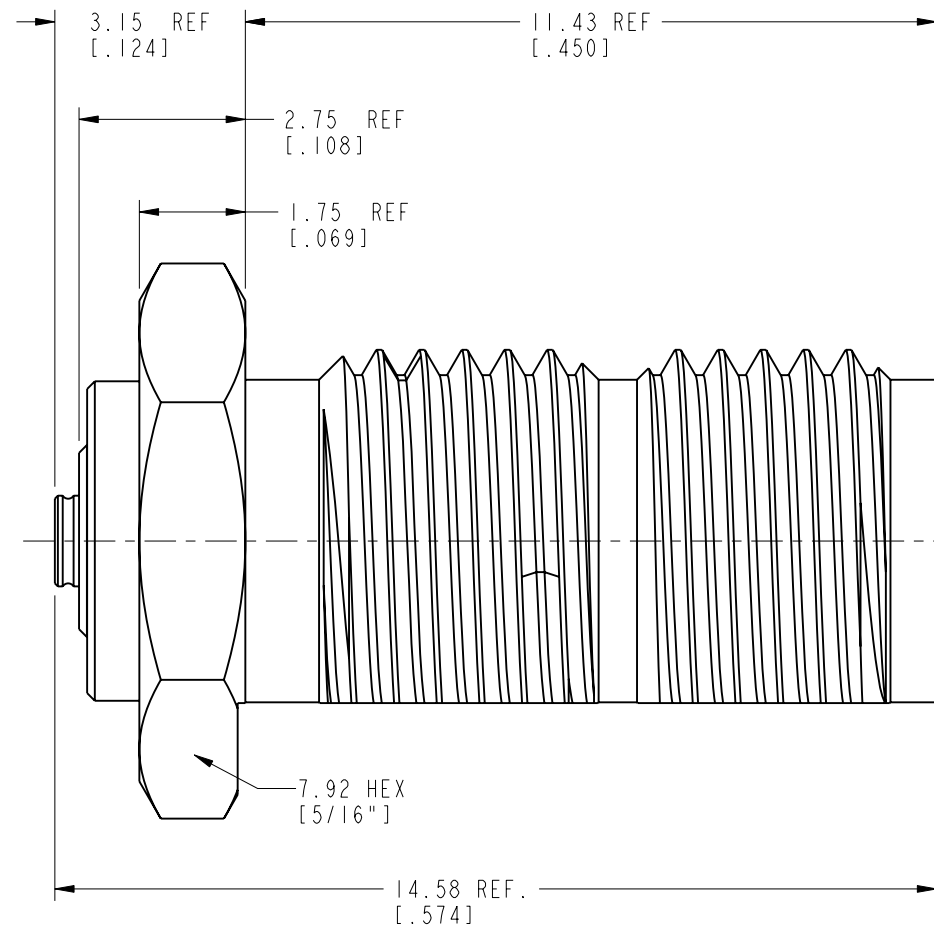
THIRD ANGLE PROJ.

REVISIONS

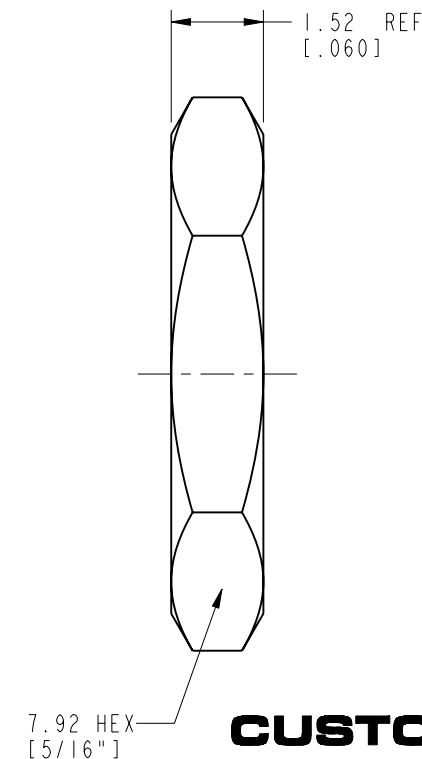
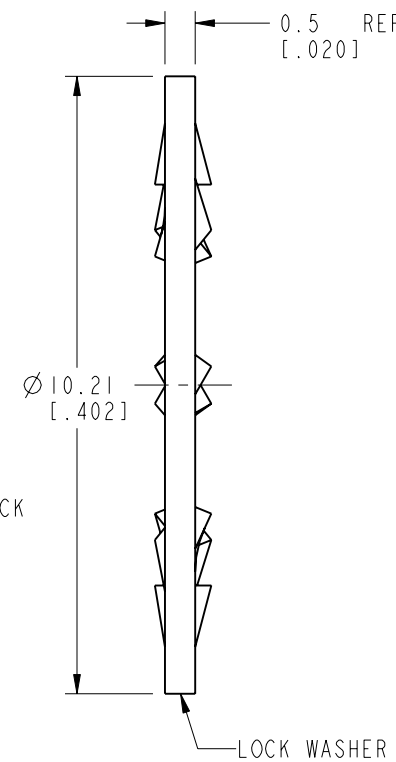
REV	DESCRIPTION	DATE	ECN	APPR
A	RELEASE TO MFG.	28-Jun-19	12046	EH



RECOMMENDED MOUNTING HOLE DIMENSIONS



INTERFACE PER MIL-STD-348 SERIES: SMA JACK



CUSTOMER OUTLINE DRAWING
 ALL OTHER SHEETS ARE FOR INTERNAL USE ONLY

UNLESS OTHERWISE SPECIFIED, DIMENSIONS ARE IN METRIC AND TOLERANCES ARE: <0.5mm ±0.05mm 0.5 - 6mm ±0.1mm 6 - 30mm ±0.2mm 30 - 120mm ±0.3mm ANGLES ±1°	MATERIAL NOTE 1	DRAWN J.LUO DATE 28-Jun-19	TITLE SMA BULKHEAD JACK TO AMC4 JACK ADAPTER		Amphenol RF www.amphenolrf.com
	REFERENCE EAR# 8820 REF: 901-10175 CONFIGURATION LEVEL: In Work FINISH	ENGINEER S.DUAN DATE 13-Feb-19 APPROVED S.HSIEH DATE 11-Jul-19 CAD FILE	SCALE: 8.0:1.0 SHEET 2 OF 2 DWG SIZE B REV A		

NOTICE - These drawings, specifications, or other data (1) are, and remain the property of Amphenol corp. (2) must be returned upon request; and (3) are confidential and not to be disclosed to any person other than those to whom they are given by Amphenol Corp. the furnishing of these drawings, specifications, or other data by Amphenol Corp., or to any other person to anyone for any purpose is not to be regarded by implication or otherwise in any manner licensing, granting rights to permitting such holder or any other person to manufacture, use or sell any product, process or design, patented or otherwise, that may in any way be related to or disclosed by said drawings, specifications, or other data.