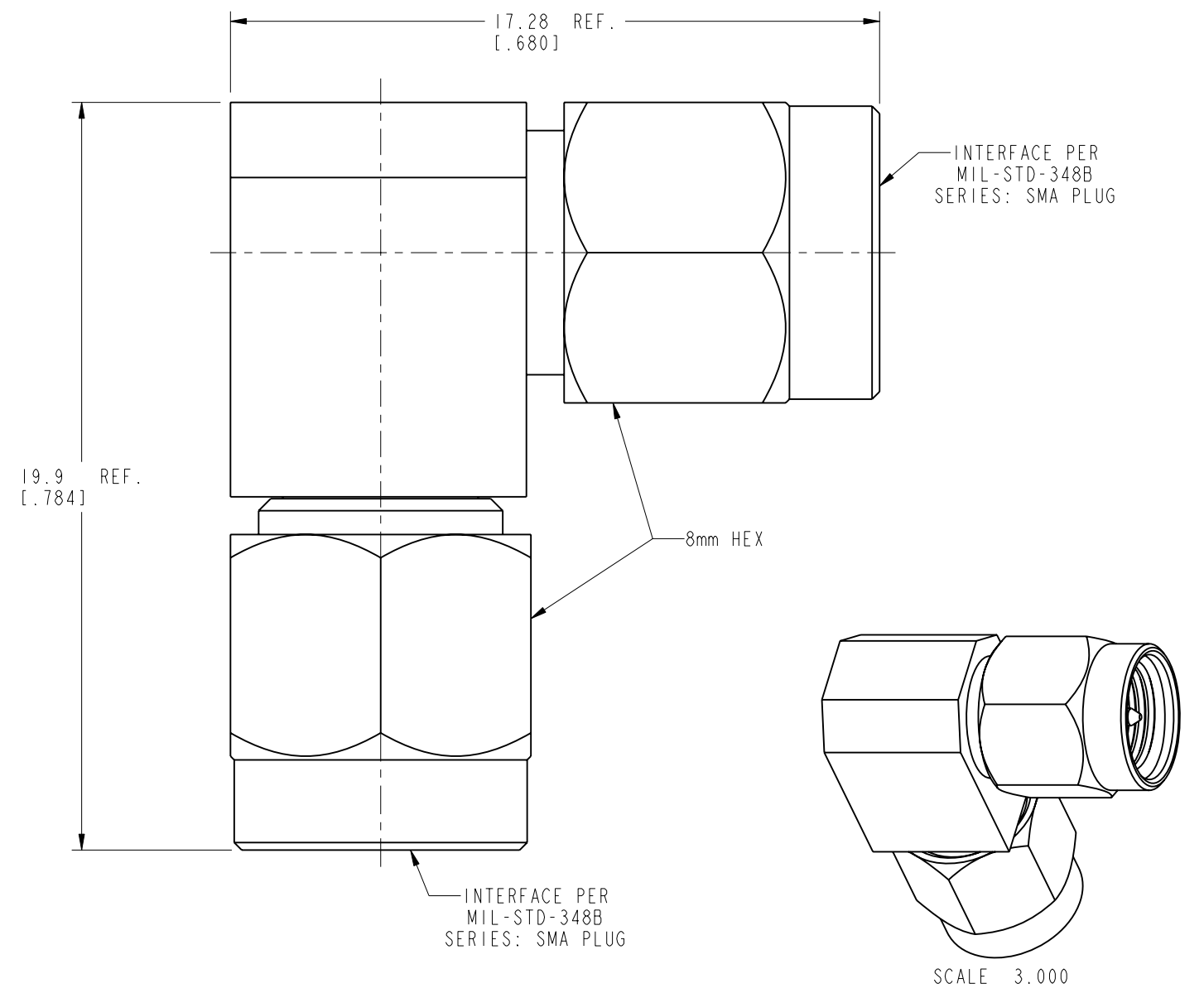
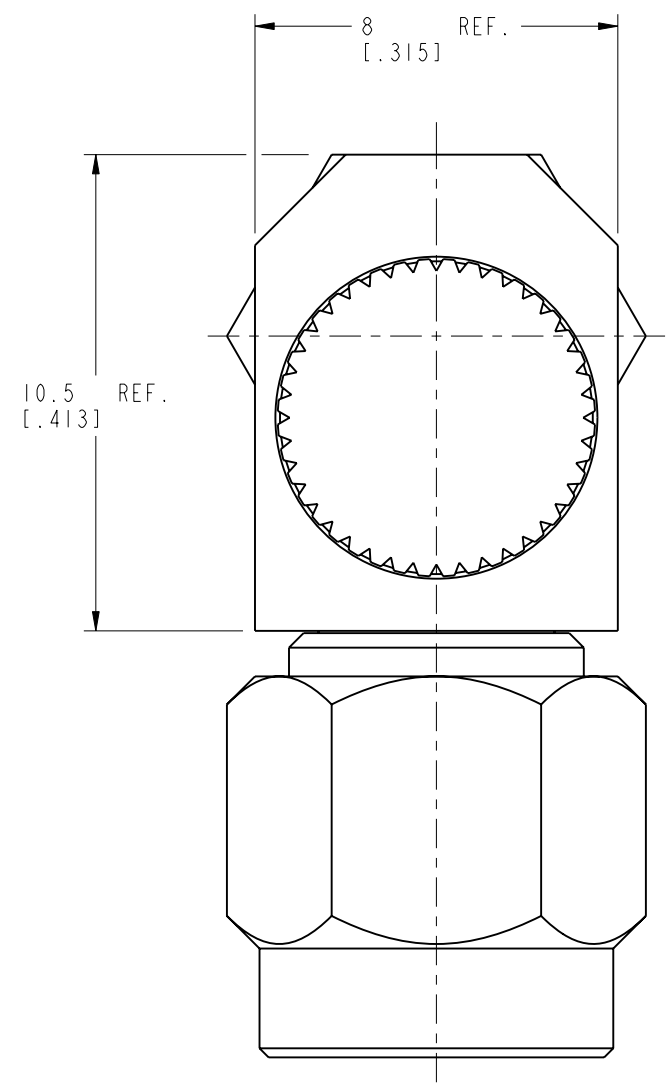


NOTES:

1. MATERIALS AND FINISHES:
  - BODY - BRASS, GOLD PLATING
  - COVER - BRASS, NICKEL PLATING
  - CONTACT - BRASS, GOLD PLATING
  - CONTACT PIN - BeCu, GOLD PLATING
  - INSULATORS - PTFE, NATURAL
  - COUPLING NUTS - STAINLESS STEEL, PASSIVATED
2. ELECTRICAL:
  - A. IMPEDANCE: 50 OHM
  - B. FREQUENCY RANGE: DC-22 GHz
  - C. VSWR: 1.20 MAX.
  - D. DIELECTRIC WITHSTANDING VOLTAGE: 1000 VRMS, MIN.
3. MECHANICAL:
  - A. DURABILITY: 500 CYCLES MIN.
  - B. TEMPERATURE RANGE: -65°C TO 165°C
4. PACKAGING:
  - A. QUANTITY: SINGLE PACK
  - B. MARKING: PACKAGING TO BE MARKED "AMPHENOL RF, AD-SMAPSMAP-2, DATE CODE"

REVISIONS				
REV	DESCRIPTION	DATE	ECN	APPR
A	RELEASE TO MANUFACTURING	7-Jul-20	15233	SH



**CUSTOMER OUTLINE DRAWING**  
ALL OTHER SHEETS ARE FOR INTERNAL USE ONLY

NOTICE: These drawings, specifications, or other data (1) are, and remain the property of Amphenol corp. (2) must be returned upon request; and (3) are confidential and not to be disclosed to any person other than those to whom they are given by Amphenol Corp. The furnishing of these drawings, specifications, or other data by Amphenol Corp., or to any other person to anyone for any purpose is not to be regarded by implication or otherwise in any manner licensing, granting rights to permitting such holder or any other person to manufacture, use or sell any product, process or design, patented or otherwise, that may in any way be related to or disclosed by said drawings, specifications, or other data.	UNLESS OTHERWISE SPECIFIED DIMENSIONS ARE METRIC (INCHES) AND TOLERANCES ARE: <0.5mm = ±0.05mm [ $<0.020 = \pm 0.002$ ] >0.5 - 6mm = ±0.1mm [ $>0.020 - 0.236 = \pm 0.004$ ] >6.00 - 30mm = ±0.2mm [ $>0.236 - 1.181 = \pm 0.008$ ] >30.00 - 120mm = ±0.3mm [ $>1.181 - 4.725 = \pm 0.012$ ]		MATERIAL SEE NOTES	TITLE HIGH PERFORMANCE R/A SMA PLUG - SMA PLUG ADAPTER	<b>Amphenol RF</b> DRAWING NO. AD-SMAPSMAP-2 ITEM NO. AD-SMAPSMAP-2 PART NO. AD-SMAPSMAP-2		REV <b>A</b>
	THIRD ANGLE PROJ.	REFERENCE 901-10656	EAR# 8845	ANGLES = ±1°	ENGINEER WIKI	DATE 23-Jun-20	SHEET NO. 2 OF 2