

NOTES:

1. MATERIALS AND FINISHES:

- BODY - BRASS, TIN-NICKEL ALLOY PLATING
- CONTACT - BERYLLIUM COPPER, GOLD PLATING
- LOCKWASHER - BRASS, TIN-NICKEL ALLOY PLATING
- HEX NUT - BRASS, TIN-NICKEL ALLOY PLATING
- INSULATOR - PTFE, NATURAL
- O-RING - SILICONE RUBBER, RED
- GASKET - SILICONE RUBBER, RED

2. ELECTRICAL:

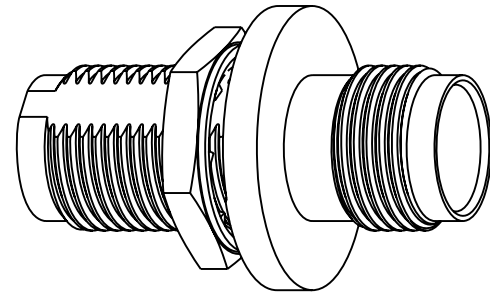
- A. IMPEDANCE: 50 OHM
- B. FREQUENCY RANGE: DC-18 GHz
- C. VSWR: 1.20 MAX @ DC-11 GHz  
1.30 MAX @ 11-18 GHz
- D. DIELECTRIC WITHSTANDING VOLTAGE: 1500 VRMS. MIN.

3. MECHANICAL:

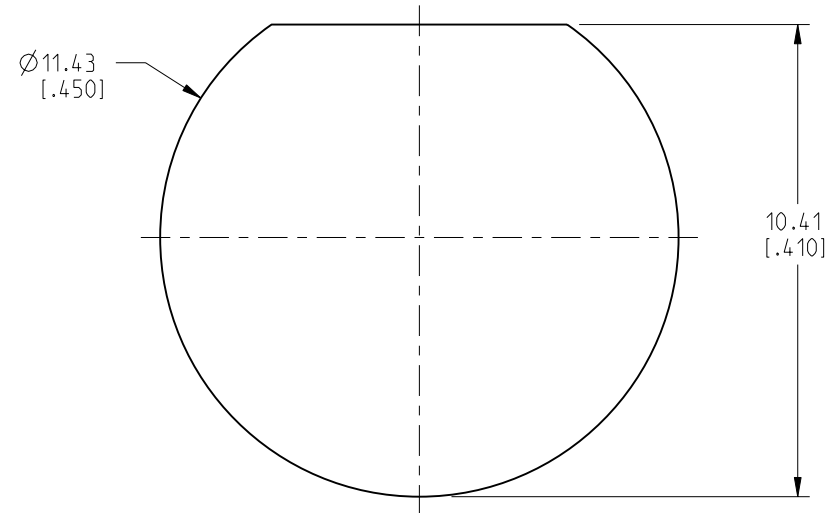
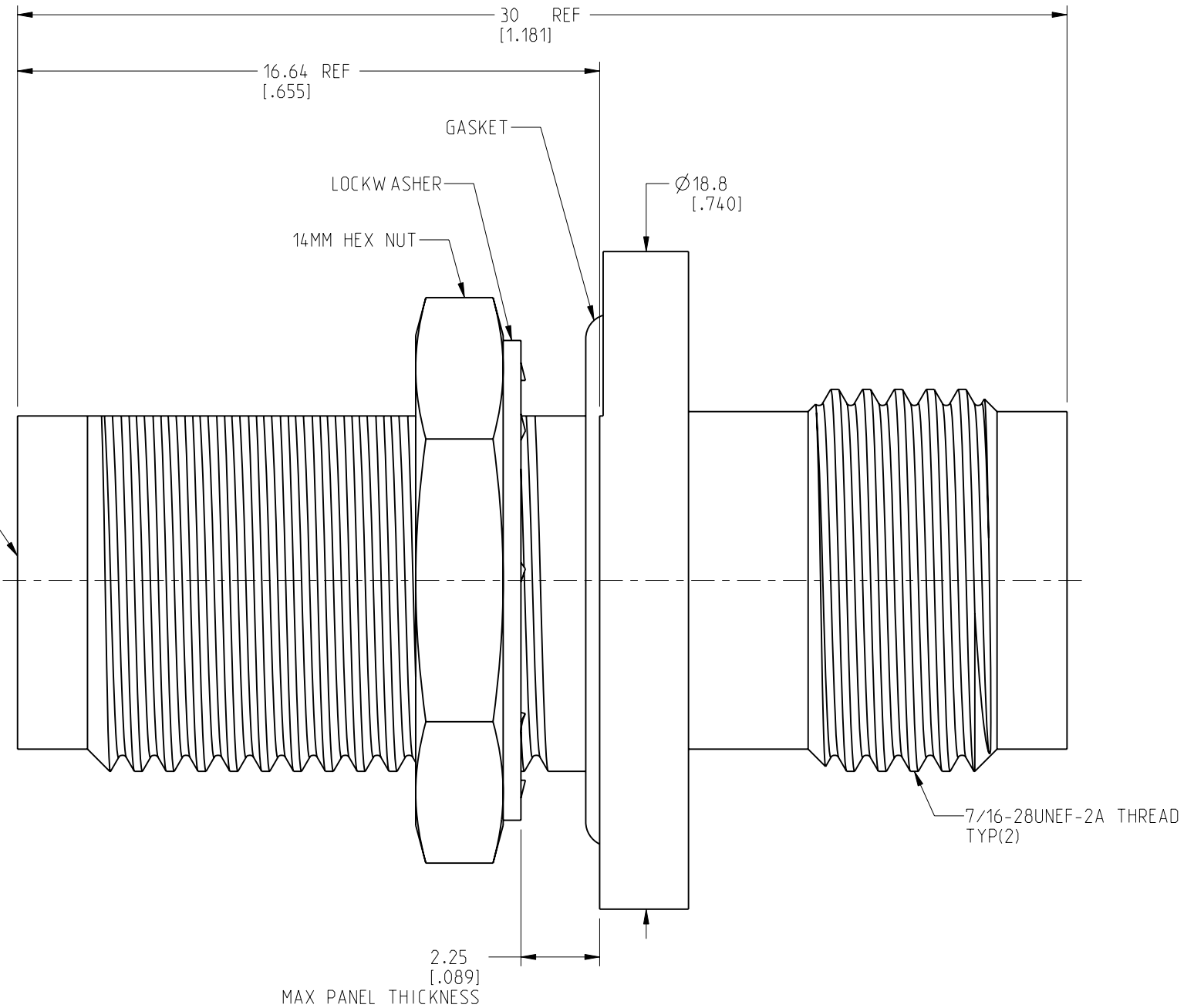
- A. DURABILITY: 500 CYCLES MIN.
- B. TEMPERATURE RANGE: -65°C TO +165°C
- C. SALT SPRAY PER MIL-STD-202, METHOD 101, WITH FOLLOWING PARAMETERS:
  - 1) TEST CONDITION B
  - 2) 5% SALT SOLUTION
  - 3) CYCLE REPEATED TO 720 HOURS

4. PACKAGING:

- A. QUANTITY: SINGLE PACK
- B. MARKING: PACKAGING TO BE MARKED  
"AMPHENOL RF, AD-TNCJTNCJ-EE & DATE CODE"



REVISIONS				
REV	DESCRIPTION	DATE	ECN	BY
A	RELEASE TO MFG.	09-JUN-22	16276	SH



RECOMMENDED PANEL HOLE DIMENSIONS

**CUSTOMER OUTLINE DRAWING**

ALL OTHER SHEETS ARE FOR INTERNAL USE ONLY

NOTICE: These drawings, specifications, or other data (1) are, and remain the property of Amphenol corp. (2) must be returned upon request; and (3) are confidential and not to be disclosed to any person other than those to whom they are given by Amphenol Corp. The furnishing of these drawings, specifications, or other data by Amphenol Corp., or to any other person for any purpose is not to be regarded by implication or otherwise in any manner licensing, granting rights to permitting such holder or any other person to manufacture, use or sell any product, process or design, patented or otherwise, that may in any way be related to or disclosed by said drawings, specifications, or other data.

UNLESS OTHERWISE SPECIFIED  
DIMENSIONS ARE METRIC (INCHES) AND TOLERANCES ARE:  
 <0.5mm = ±0.05mm [ $<0.020 = \pm 0.002$ ]  
 0.5 - 6mm = ±0.1mm [ $>0.020 - 0.236 = \pm 0.004$ ]  
 >6.00 - 30mm = ±0.2mm [ $>0.236 - 1.181 = \pm 0.008$ ]  
 >30.00 - 120mm = ±0.3mm [ $>1.181 - 4.725 = \pm 0.012$ ]  
 ANGLES = ±1°

MATERIAL  
SEE NOTES

ENGR.1  
C.VIGORITO

ENGR.2  
M.ZHANG

DATE  
06-May-22

TITLE  
IP68 TNC JACK TO TNC  
JACK BULKHEAD ADAPTER  
EXTREME EXPOSURE

SHEET NO. 2 OF 2

SCALE: 6.0:1.0

**Amphenol RF**

SIZE	DRAWING NO. AD-TNCJTNCJ-EE	REV
	ITEM NO. AD-TNCJTNCJ-EE	A
	PART NO. AD-TNCJTNCJ-EE	

THIRD ANGLE PROJ.

REFERENCE  
AD-TNCJTNCJ-1, DE7864

EAR#  
10698