

### FEATURES

- 2-quadrant multiplication/division**
- 2 independent signal channels**
- Signal bandwidth of 60 MHz ( $I_{OUT}$ )**
- Linear control channel bandwidth of 5 MHz**
- Low distortion (to 0.01%)**
- Fully calibrated, monolithic circuit**

### APPLICATIONS

- Precise high bandwidth AGC and VCA systems**
- Voltage-controlled filters**
- Video signal processing**
- High speed analog division**
- Automatic signal-leveling**
- Square-law gain/loss control**

### GENERAL DESCRIPTION

The AD539 is a low distortion analog multiplier having two identical signal channels (Y1 and Y2), with a common X input providing linear control of gain. Excellent ac characteristics up to video frequencies and a  $-3$  dB bandwidth of over 60 MHz are provided. Although intended primarily for applications where speed is important, the circuit exhibits good static accuracy in computational applications. Scaling is accurately determined by a band-gap voltage reference and all critical parameters are laser-trimmed during manufacture.

The full bandwidth can be realized over most of the gain range using the AD539 with simple resistive loads of up to 100  $\Omega$ . Output voltage is restricted to a few hundred millivolts under these conditions.

The two channels provide flexibility. In single-channel applications, they can be used in parallel to double the output current, in series to achieve a square-law gain function with a control range of over 100 dB, or differentially to reduce distortion. Alternatively,

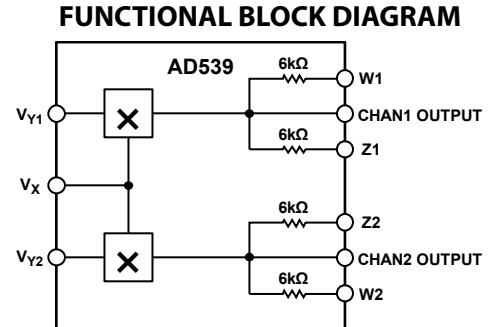


Figure 1.

09879-001

they can be used independently, as in audio stereo applications, with low crosstalk between channels. Voltage-controlled filters and oscillators using the state-variable approach are easily designed, taking advantage of the dual channels and common control. The AD539 can also be configured as a divider with signal bandwidths up to 15 MHz.

Power consumption is only 135 mW using the recommended  $\pm 5$  V supplies. The AD539 is available in three versions: the J and K grades are specified for 0 to 70°C operation and S grade is guaranteed over the extended range of  $-55^{\circ}\text{C}$  to  $+125^{\circ}\text{C}$ . The J and K grades are available in either a hermetic ceramic SBDIP (D-16) or a low cost PDIP (N-16), whereas the S grade is available in ceramic SBDIP (D-16) or LCC (E-20-1). The S grade is available in MIL-STD-883 and Standard Military Drawing (DESC) Number 5962-8980901EA versions.

#### Rev. B

Information furnished by Analog Devices is believed to be accurate and reliable. However, no responsibility is assumed by Analog Devices for its use, nor for any infringements of patents or other rights of third parties that may result from its use. Specifications subject to change without notice. No license is granted by implication or otherwise under any patent or patent rights of Analog Devices. Trademarks and registered trademarks are the property of their respective owners.

**TABLE OF CONTENTS**

|  |    |   |    |
|--|----|---|----|
| Features .....                                     | 1  | Transfer Function .....                     | 11 |
| Applications.....                                  | 1  | Dual Signal Channels.....                   | 11 |
| Functional Block Diagram .....                     | 1  | Common Control Channel.....                 | 11 |
| General Description .....                          | 1  | Flexible Scaling .....                      | 11 |
| Revision History .....                             | 2  | Applications Information .....              | 12 |
| Specifications.....                                | 3  | Basic Multiplier Connections .....          | 12 |
| Pin Configurations and Function Descriptions ..... | 5  | A 50 MHz Voltage-Controlled Amplifier ..... | 15 |
| Typical Performance Characteristics .....          | 7  | Basic Divider Connections .....             | 16 |
| Theory of Operation .....                          | 10 | Outline Dimensions .....                    | 17 |
| Circuit Description.....                           | 10 | Ordering Guide .....                        | 18 |
| General Recommendations.....                       | 10 |   |    |

**REVISION HISTORY**

**4/11—Rev. A to Rev. B**

|   |           |
|---|-----------|
| Updated Format.....   | Universal |
| Changed Pin Configuration to Functional Block Diagram .....     | 1         |
| Changes to General Description Section .....                    | 1         |
| Added Pin Configurations and Function Descriptions Section..... | 5         |
| Added Table 2; Renumbered Sequentially .....                    | 5         |
| Added Table 3.....  | 6         |
| Added Typical Performance Characteristics Section .....         | 7         |
| Added Figure 6 and Figure 9; Renumbered Sequentially .....      | 7         |
| Changes to Figure 18.....                                       | 10        |

Moved Dual Signal Channels Section, Common Control

|  |    |
|--|----|
| Channel Section, and Flexible Scaling Section..... | 11 |
| Changes to Figure 20.....                          | 12 |
| Changes to Table 4, Figure 21, and Table 5 .....   | 13 |
| Changes to Figure 22 and Figure 23.....            | 14 |
| Changes to Figure 24.....                          | 15 |
| Changes to Figure 25.....                          | 16 |
| Updated Outline Dimensions .....                   | 17 |
| Changes to Ordering Guide .....                    | 18 |

**12/91—Rev. 0 to Rev. A**

## SPECIFICATIONS

$T_A = 25^\circ\text{C}$ ,  $V_S = \pm 5\text{ V}$ , unless otherwise specified.  $V_Y = V_{Y1} - V_{Y2}$ ,  $V_X = V_{X1} - V_{X2}$ . All minimum and maximum specifications are guaranteed.

**Table 1.**

| Parameter                                   | Test Conditions/Comments   | AD539J |             |        | AD539K |             |        | AD539S |             |        | Unit                   |
|---|--|--------|-------------|--------|--------|-------------|--------|--------|-------------|--------|------------------------|
|   |  | Min    | Typ         | Max    | Min    | Typ         | Max    | Min    | Typ         | Max    |                        |
| SIGNAL CHANNEL DYNAMICS                     |  |        |             |        |        |             |        |        |             |        |                        |
| Minimal Configuration                       |  |        |             |        |        |             |        |        |             |        |                        |
| Bandwidth, $-3\text{ dB}$                   | See Figure 22<br>$R_L = 50\ \Omega$ , $C_C = 0.01\ \mu\text{F}$                                  | 30     | 60          |        | 30     | 60          |        | 30     | 60          |        | MHz                    |
| Maximum Output                              | $0.1\text{ V} < V_X < 3\text{ V}$ , $V_Y\text{ ac} = 1\text{ V rms}$                             |        | -10         |        |        | -10         |        |        | -10         |        | dBm                    |
| Feedthrough                                 | $V_X = 0\text{ V}$ , $V_Y\text{ ac} = 1.5\text{ V rms}$  |        |             |        |        |             |        |        |             |        |                        |
| f < 1 MHz                                   |  |        | -75         |        |        | -75         |        |        | -75         |        | dBm                    |
| f = 20 MHz                                  |  |        | -55         |        |        | -55         |        |        | -55         |        | dBm                    |
| Differential Phase Linearity                |  |        |             |        |        |             |        |        |             |        |                        |
| $-1\text{ V} < V_Y\text{ dc} < +1\text{ V}$ | f = 3.58 MHz, $V_X = 3\text{ V}$ ,<br>$V_Y\text{ ac} = 100\text{ mV}$                            |        | $\pm 0.2$   |        |        | $\pm 0.2$   |        |        | $\pm 0.2$   |        | Degrees                |
| $-2\text{ V} < V_Y\text{ dc} < +2\text{ V}$ | f = 3.58 MHz, $V_X = 3\text{ V}$ ,<br>$V_Y\text{ ac} = 100\text{ mV}$                            |        | $\pm 0.5$   |        |        | $\pm 0.5$   |        |        | $\pm 0.5$   |        | Degrees                |
| Group Delay                                 | $V_X = 3\text{ V}$ , $V_Y\text{ ac} = 1\text{ V rms}$ ,<br>f = 1 MHz                             |        | 4           |        |        | 4           |        |        | 4           |        | ns                     |
| Standard 2-Channel Multiplier               |  |        |             |        |        |             |        |        |             |        |                        |
| Maximum Output                              | $V_X = 3\text{ V}$ , $V_Y\text{ ac} = 1.5\text{ V rms}$  |        | 4.5         |        |        | 4.5         |        |        | 4.5         |        | V                      |
| Feedthrough, f < 100 kHz                    | $V_X = 0\text{ V}$ , $V_Y\text{ ac} = 1.5\text{ V rms}$  |        | 1           |        |        | 1           |        |        | 1           |        | mV rms                 |
| Crosstalk (Channel 1 to Channel 2)          | $V_{Y1} = 1\text{ V rms}$ , $V_{Y2} = 0\text{ V}$ ,<br>$V_X = 3\text{ V}$ , f < 100 kHz          |        | -40         |        |        | -40         |        |        | -40         |        | dB                     |
| RTO Noise, 10 Hz to 1 MHz                   | $V_X = 1.5\text{ V}$ , $V_Y = 0\text{ V}$  |        | 200         |        |        | 200         |        |        | 200         |        | nV/ $\sqrt{\text{Hz}}$ |
| THD + Noise                                 |  |        |             |        |        |             |        |        |             |        |                        |
| $V_X = 1\text{ V}$                          | f = 10 kHz, $V_Y\text{ ac} = 1\text{ V rms}$   |        | 0.02        |        |        | 0.02        |        |        | 0.02        |        | %                      |
| $V_Y = 3\text{ V}$                          | f = 10 kHz, $V_Y\text{ ac} = 1\text{ V rms}$   |        | 0.04        |        |        | 0.04        |        |        | 0.04        |        | %                      |
| Wideband 2-Channel Multiplier               |  |        |             |        |        |             |        |        |             |        |                        |
| Bandwidth, $-3\text{ dB}$ (LH0032)          | $0.1\text{ V} < V_X < 3\text{ V}$ ,<br>$V_Y\text{ ac} = 1\text{ V rms}$                          |        | 25          |        |        | 25          |        |        | 25          |        | MHz                    |
| Maximum Output $V_X = 3\text{ V}$           | $V_Y\text{ ac} = 1.5\text{ V rms}$ , f = 3 MHz   |        | 4.5         |        |        | 4.5         |        |        | 4.5         |        | V rms                  |
| Feedthrough $V_X = 0\text{ V}$              | $V_Y\text{ ac} = 1.0\text{ V rms}$ , f = 3 MHz   |        | 14          |        |        | 14          |        |        | 14          |        | mV rms                 |
| Wideband Single-Channel VCA                 |  |        |             |        |        |             |        |        |             |        |                        |
| Bandwidth, $-3\text{ dB}$                   | $0.1\text{ V} < V_X < 3\text{ V}$ ,<br>$V_Y\text{ ac} = 1\text{ V rms}$                          |        | 50          |        |        | 50          |        |        | 50          |        | MHz                    |
| Maximum Output                              | 75 $\Omega$ load   |        | $\pm 1$     |        |        | $\pm 1$     |        |        | $\pm 1$     |        | V                      |
| Feedthrough                                 | $V_X = -0.01\text{ V}$ , f = 5 MHz   |        | -54         |        |        | -54         |        |        | -54         |        | dB                     |
| CONTROL CHANNEL DYNAMICS                    |  |        |             |        |        |             |        |        |             |        |                        |
| Bandwidth, $-3\text{ dB}$                   | $C_C = 3000\text{ pF}$ , $V_X\text{ dc} = 1.5\text{ V}$ ,<br>$V_X\text{ ac} = 100\text{ mV rms}$ |        | 5           |        |        | 5           |        |        | 5           |        | MHz                    |
| SIGNAL INPUTS, $V_{Y1}$ AND $V_{Y2}$        |  |        |             |        |        |             |        |        |             |        |                        |
| Nominal Full-Scale Input                    |  |        | $\pm 2$     |        |        | $\pm 2$     |        |        | $\pm 2$     |        | V                      |
| Operational Range, Degraded Performance     | $-V_S \leq 7\text{ V}$   |        | $\pm 4.2^1$ |        |        | $\pm 4.2^1$ |        |        | $\pm 4.2^1$ |        | V                      |
| Input Resistance                            |  |        | 400         |        |        | 400         |        |        | 400         |        | k $\Omega$             |
| Bias Current                                |  |        | 10          | $30^1$ |        | 10          | $20^1$ |        | 10          | $30^1$ | $\mu\text{A}$          |
| Offset Voltage                              | $V_X = 3\text{ V}$ , $V_Y = 0\text{ V}$  |        | 5           | $20^1$ |        | 5           | $10^1$ |        | 5           | $20^1$ | mV                     |
| $T_{\text{MIN}}$ to $T_{\text{MAX}}$        |  |        | 10          |        |        | 5           |        |        | 15          | 35     | mV                     |
| Power Supply Sensitivity                    | $V_X = 3\text{ V}$ , $V_Y = 0\text{ V}$  |        | 2           |        |        | 2           |        |        | 2           |        | mV/V                   |

# AD539

| Parameter   | Test Conditions/Comments                               | AD539J            |                             |                   | AD539K            |                             |                   | AD539S            |                             |                   | Unit        |  |
|---|--|-------------------|-----------------------------|-------------------|-------------------|-----------------------------|-------------------|-------------------|-----------------------------|-------------------|-------------|--|
|   |  | Min               | Typ                         | Max               | Min               | Typ                         | Max               | Min               | Typ                         | Max               |             |  |
| CONTROL INPUT, $V_X$                                |  |                   |                             |                   |                   |                             |                   |                   |                             |                   |             |  |
| Nominal Full-Scale Input                            |  |                   | 3.0                         |                   |                   | 3.0                         |                   |                   | 3.0                         |                   | V           |  |
| Operational Range, Degraded Performance             |  | +3.2              |                             |                   | +3.2              |                             |                   | +3.2              |                             |                   | V           |  |
| Input Resistance <sup>2</sup>                       |  |                   | 500                         |                   |                   | 500                         |                   |                   | 500                         |                   | $\Omega$    |  |
| Offset Voltage                                      |  |                   | 1                           | 4 <sup>1</sup>    |                   | 1                           | 2 <sup>1</sup>    |                   | 1                           | 4 <sup>1</sup>    | mV          |  |
| $T_{MIN}$ to $T_{MAX}$                              |  |                   | 3                           |                   |                   | 2                           |                   |                   | 2                           | 5 <sup>1</sup>    | mV          |  |
| Power Supply Sensitivity                            |  |                   | 30                          |                   |                   | 30                          |                   |                   | 30                          |                   | $\mu V/V$   |  |
| Gain  | See Figure 20  |                   |                             |                   |                   |                             |                   |                   |                             |                   |             |  |
| Absolute Gain Error                                 | $V_X = 0.1 V$ to $3.0 V$ , $V_Y = \pm 2 V$             |                   | 0.2                         | 0.4 <sup>1</sup>  |                   | 0.1                         | 0.2 <sup>1</sup>  |                   | 0.2                         | 0.4 <sup>1</sup>  | dB          |  |
| $T_{MIN}$ to $T_{MAX}$                              | $V_X = 0.1 V$ to $3.0 V$ , $V_Y = \pm 2 V$             |                   | 0.3                         |                   |                   | 0.15                        |                   |                   | 0.25                        | 0.5 <sup>1</sup>  | dB          |  |
| CURRENT OUTPUT <sup>2</sup>                         |  |                   |                             |                   |                   |                             |                   |                   |                             |                   |             |  |
| Full-Scale Output Current                           | $V_X = 3 V$ , $V_Y = \pm 2 V$                          |                   | $\pm 1$                     |                   |                   | $\pm 1$                     |                   |                   | $\pm 1$                     |                   | mA          |  |
| Peak Output Current                                 | $V_X = 3.3 V$ , $V_Y = \pm 5 V$ ,<br>$V_S = \pm 7.5 V$ | $\pm 2$           | $\pm 2.8$                   |                   | $\pm 2$           | $\pm 2.8$                   |                   | $\pm 2$           | $\pm 2.8$                   |                   | mA          |  |
| Output Offset Current                               | $V_X = 0 V$ , $V_Y = 0 V$                              |                   | 0.2                         | 1.5 <sup>1</sup>  |                   | 0.2                         | 1.5 <sup>1</sup>  |                   | 0.2                         | 1.5 <sup>1</sup>  | $\mu A$     |  |
| Output Offset Voltage <sup>3</sup>                  | See Figure 20, $V_X = 0 V$ ,<br>$V_Y = 0 V$            |                   | 3                           | 10 <sup>1</sup>   |                   | 3                           | 10 <sup>1</sup>   |                   | 3                           | 10 <sup>1</sup>   | mV          |  |
| Output Resistance                                   |  |                   | 1.2                         |                   |                   | 1.2                         |                   |                   | 1.2                         |                   | k $\Omega$  |  |
| Scaling Resistors                                   |  |                   |                             |                   |                   |                             |                   |                   |                             |                   |             |  |
| Channel 1   | Z1, W1 to CH1  |                   | 6                           |                   |                   | 6                           |                   |                   | 6                           |                   | k $\Omega$  |  |
| Channel 2   | Z2, W2 to CH2  |                   | 6                           |                   |                   | 6                           |                   |                   | 6                           |                   | k $\Omega$  |  |
| VOLTAGE OUTPUTS, $V_{W1}$ AND $V_{W2}$ <sup>3</sup> | See Figure 20  |                   |                             |                   |                   |                             |                   |                   |                             |                   |             |  |
| Multiplier Transfer Function                        |  |                   |                             |                   |                   |                             |                   |                   |                             |                   |             |  |
| Either Channel                                      |  |                   | $V_W = -V_X \times V_Y/V_U$ |                   |                   | $V_W = -V_X \times V_Y/V_U$ |                   |                   | $V_W = -V_X \times V_Y/V_U$ |                   |             |  |
| Multiplier Scaling Voltage, $V_U$                   |  | 0.98 <sup>1</sup> | 1.0                         | 1.02 <sup>1</sup> | 0.99 <sup>1</sup> | 1.0                         | 1.01 <sup>1</sup> | 0.98 <sup>1</sup> | 1.0                         | 1.02 <sup>1</sup> | V           |  |
| Accuracy  |  |                   | 0.5                         | 2 <sup>1</sup>    |                   | 0.5                         | 1 <sup>1</sup>    |                   | 0.5                         | 2                 | %           |  |
| $T_{MIN}$ to $T_{MAX}$                              |  |                   | 1                           |                   |                   | 0.5                         |                   |                   | 1.0                         | 3 <sup>1</sup>    | %           |  |
| Power Supply Sensitivity                            |  |                   | 0.04                        |                   |                   | 0.04                        |                   |                   | 0.04                        |                   | %/V         |  |
| Total Multiplication Error <sup>4</sup>             | $V_X \leq 3 V$ , $-2 V < V_Y < +2 V$                   |                   | 1                           | 2.5               |                   | 0.6                         | 1.5               |                   | 1                           | 2.5               | % FSR       |  |
| $T_{MIN}$ to $T_{MAX}$                              |  |                   | 2                           |                   |                   | 1                           |                   |                   | 2                           | 4 <sup>1</sup>    | %           |  |
| Control Feedthrough                                 | $V_X = 0 V$ to $3 V$ , $V_Y = 0 V$                     |                   | 25                          | 60 <sup>1</sup>   |                   | 15                          | 30 <sup>1</sup>   |                   | 15                          | 60 <sup>1</sup>   | mV          |  |
| $T_{MIN}$ to $T_{MAX}$                              |  |                   | 30                          |                   |                   | 15                          |                   |                   | 60                          | 120 <sup>1</sup>  | mV          |  |
| TEMPERATURE RANGE                                   |  |                   |                             |                   |                   |                             |                   |                   |                             |                   |             |  |
| Rated Performance                                   |  | 0                 |                             | +70               | 0                 |                             | +70               | -55               |                             | +125              | $^{\circ}C$ |  |
| POWER SUPPLIES                                      |  |                   |                             |                   |                   |                             |                   |                   |                             |                   |             |  |
| Operational Range                                   |  | $\pm 4.5$         |                             | $\pm 15$          | $\pm 4.5$         |                             | $\pm 15$          | $\pm 4.5$         |                             | $\pm 15$          | V           |  |
| Current Consumption                                 |  |                   |                             |                   |                   |                             |                   |                   |                             |                   |             |  |
| + $V_S$   |  |                   | 8.5                         | 10.2 <sup>1</sup> |                   | 8.5                         | 10.2 <sup>1</sup> |                   | 8.5                         | 10.2 <sup>1</sup> | mA          |  |
| - $V_S$   |  |                   | 18.5                        | 22.2 <sup>1</sup> |                   | 18.5                        | 22.2 <sup>1</sup> |                   | 18.5                        | 22.2 <sup>1</sup> | mA          |  |

<sup>1</sup> Tested on all production units at final electrical test. Results from those tests are used to calculate outgoing quality levels.

<sup>2</sup> Resistance value and absolute current outputs subject to 20% tolerance.

<sup>3</sup> Specification assumes the external op amp is trimmed for negligible input offset.

<sup>4</sup> Includes all errors.

## PIN CONFIGURATIONS AND FUNCTION DESCRIPTIONS

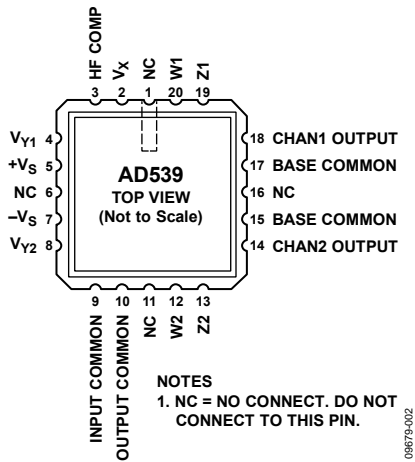


Figure 2. 20-Lead LLC Pin Configuration (E-20-1)

Table 2. 20-Lead LLC Pin Function Descriptions

| Pin No. | Mnemonic        | Description  |
|---------|-----------------|--|
| 1       | NC              | No Connect. Do not connect to this pin.                        |
| 2       | V <sub>x</sub>  | Control Channel Input.   |
| 3       | HF COMP         | High Frequency Compensation.                                   |
| 4       | V <sub>y1</sub> | Channel 1 Input.   |
| 5       | +V <sub>s</sub> | Positive Supply Rail.  |
| 6       | NC              | No Connect. Do not connect to this pin.                        |
| 7       | -V <sub>s</sub> | Negative Supply Rail.  |
| 8       | V <sub>y2</sub> | Channel 2 Input.   |
| 9       | INPUT COMMON    | Internal Common Connection for the Input Amplifier Circuitry.  |
| 10      | OUTPUT COMMON   | Internal Common Connection for the Output Amplifier Circuitry. |
| 11      | NC              | No Connect.  |
| 12      | W2              | 6 kΩ Feedback Resistor for Channel 2.                          |
| 13      | Z2              | 6 kΩ Feedback Resistor for Channel 2.                          |
| 14      | CHAN2 OUTPUT    | Channel 2 Product of V <sub>x</sub> and V <sub>y2</sub> .      |
| 15      | BASE COMMON     | Increases Negative Output Compliance.                          |
| 16      | NC              | No Connect. Do not connect to this pin.                        |
| 17      | BASE COMMON     | Increases Negative Output Compliance.                          |
| 18      | CHAN1 OUTPUT    | Channel 1 Product of V <sub>x</sub> and V <sub>y1</sub> .      |
| 19      | Z1              | 6 kΩ Feedback Resistor for Channel 1.                          |
| 20      | W1              | 6 kΩ Feedback Resistor for Channel 1.                          |

# AD539

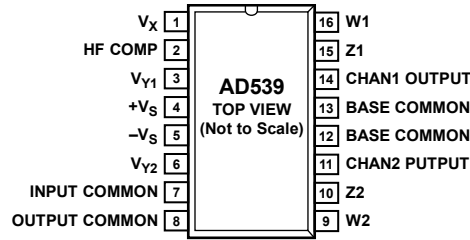


Figure 3. 16-Lead PDIP and SBDIP Pin Configurations (N-16, D-16)

Table 3. 16-Lead PDIP and SBDIP Pin Function Descriptions

| Pin No. | Mnemonic      | Description  |
|---------|---------------|--|
| 1       | $V_x$         | Control Channel Input.   |
| 2       | HF COMP       | High Frequency Compensation.                                   |
| 3       | $V_{Y1}$      | Channel 1 Input.   |
| 4       | $+V_s$        | Positive Supply Rail.  |
| 5       | $-V_s$        | Negative Supply Rail.  |
| 6       | $V_{Y2}$      | Channel 2 Input.   |
| 7       | INPUT COMMON  | Internal Common Connection for the Input Amplifier Circuitry.  |
| 8       | OUTPUT COMMON | Internal Common Connection for The Output Amplifier Circuitry. |
| 9       | W2            | 6 k $\Omega$ Feedback Resistor for Channel 2.                  |
| 10      | Z2            | 6 k $\Omega$ Feedback Resistor for Channel 2.                  |
| 11      | CHAN2 OUTPUT  | Channel 2 Product of $V_x$ and $V_{Y2}$ .                      |
| 12      | BASE COMMON   | Increases Negative Output Compliance.                          |
| 13      | BASE COMMON   | Increases Negative Output Compliance.                          |
| 14      | CHAN1 OUTPUT  | Channel 1 Product of $V_x$ and $V_{Y1}$ .                      |
| 15      | Z1            | 6 k $\Omega$ Feedback Resistor for Channel 1.                  |
| 16      | W1            | 6 k $\Omega$ Feedback Resistor for Channel 1.                  |

# TYPICAL PERFORMANCE CHARACTERISTICS

$V_Y = V_{Y1} - V_{Y2}$ ,  $V_X = V_{X1} - V_{X2}$ , unless otherwise noted.

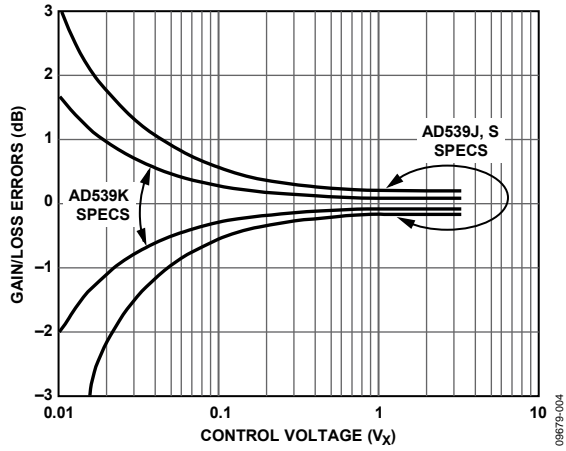


Figure 4. Maximum AC Gain Error Boundaries

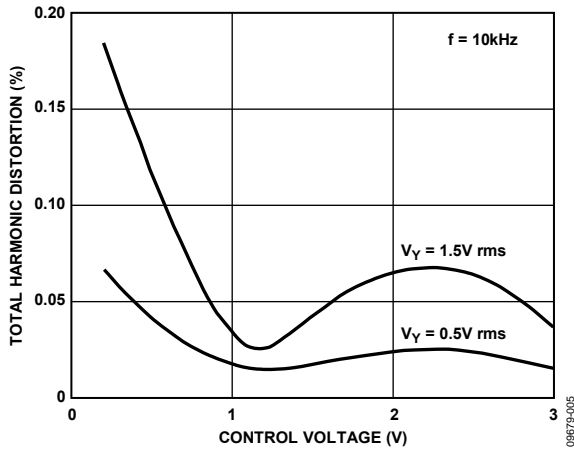


Figure 5. Total Harmonic Distortion vs. Control Voltage

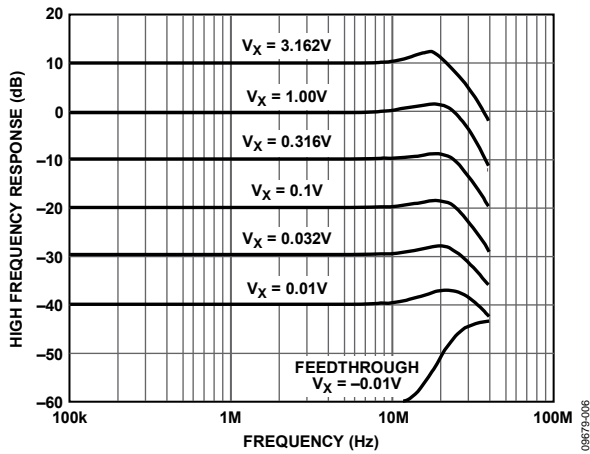


Figure 6. Multiplier High Frequency Response Using LH0032 Op Amps

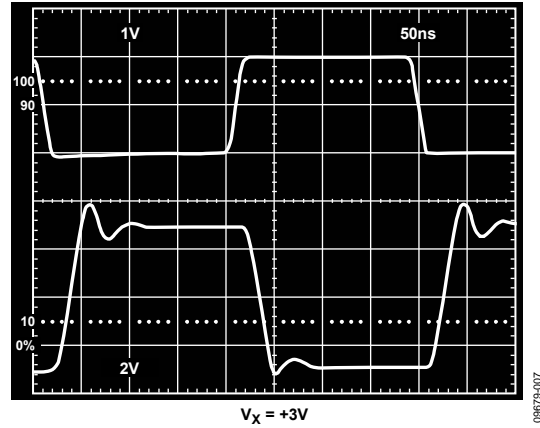


Figure 7. Multiplier Pulse Response Using LH0032 Op Amp,  $V_X = 3V$

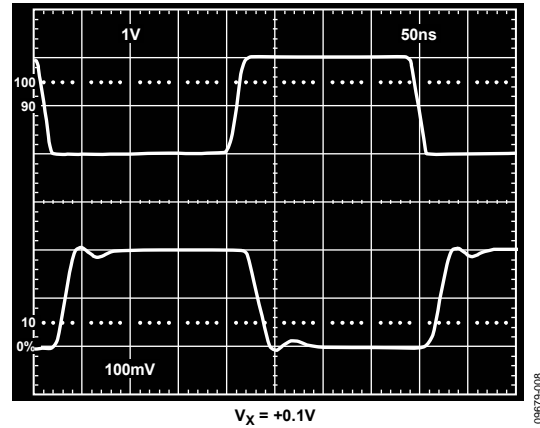


Figure 8. Multiplier Pulse Response Using LH0032 Op Amp,  $V_X = 0.1V$

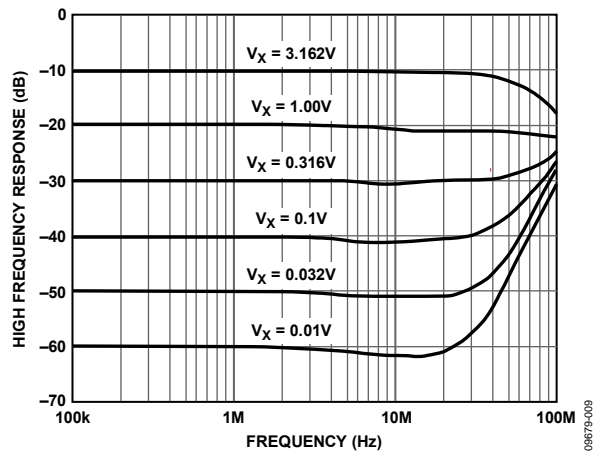


Figure 9. High Frequency Response in Minimal Configuration

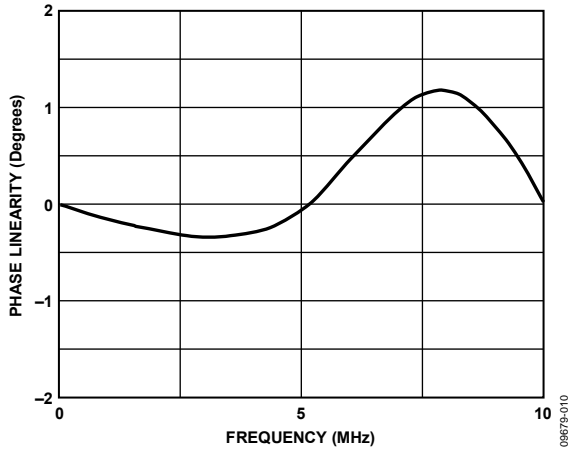


Figure 10. Phase Linearity Error in Minimal Configuration

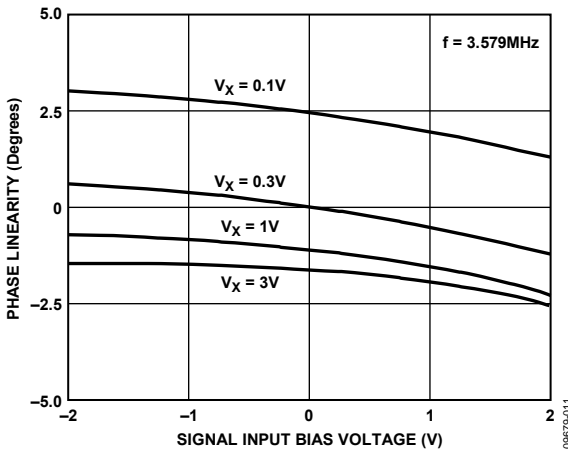


Figure 11. Differential Phase Linearity in Minimal Configuration for a Typical Device

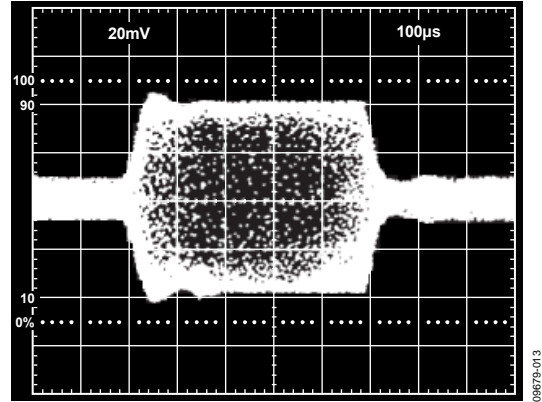


Figure 13. Control Feedthrough Differential Mode of Figure 22

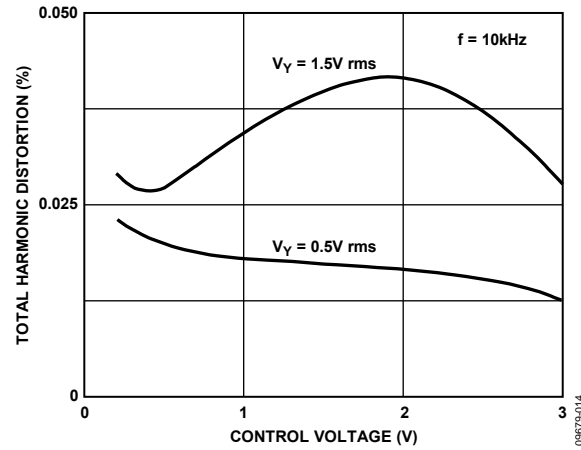


Figure 14. Distortion in Differential Mode Using LH0032 Op Amp

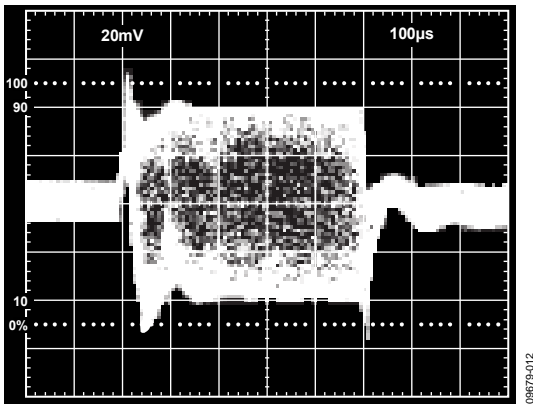


Figure 12. Control Feedthrough One Channel of Figure 22

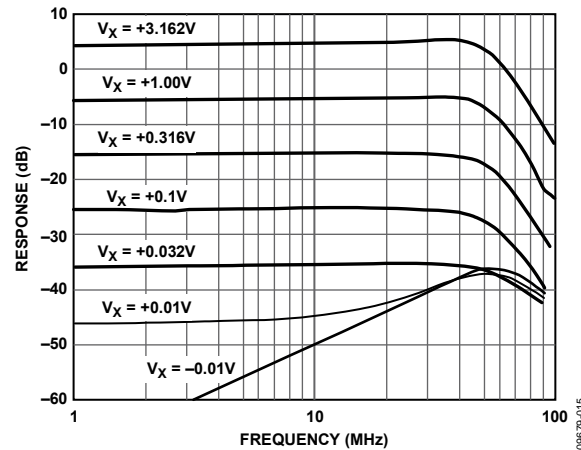


Figure 15. AC Response of the VCA at Different Gains,  $V_Y = 0.5 \text{ V RMS}$



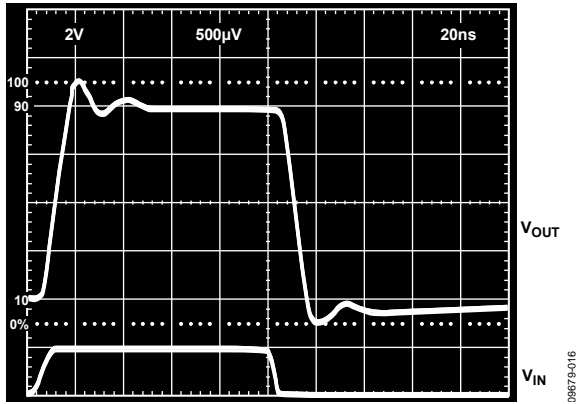


Figure 16. Transient Response of the Voltage-Controlled Amplifier,  $V_X = +2V$ ,  $V_Y = \pm 1V$

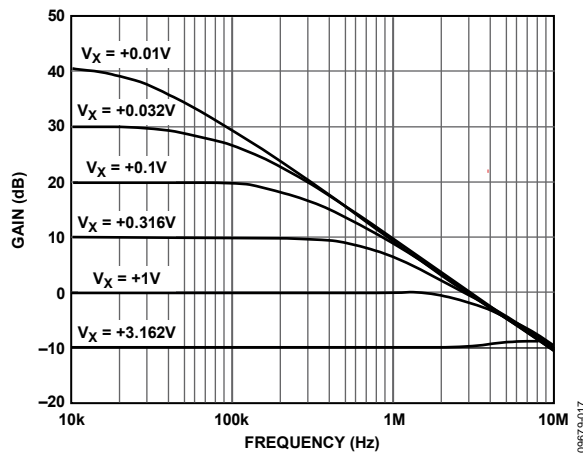


Figure 17. High Frequency Response of Divider in Figure 25

## THEORY OF OPERATION

### CIRCUIT DESCRIPTION

Figure 18 shows a simplified schematic of the AD539. Q1 to Q6 are large-geometry transistors designed for low distortion and low noise. Emitter-area scaling further reduces distortion: Q1 is three times larger than Q2; Q4 and Q5 are each three times larger than Q3 and Q6 and are twice as large as Q1 and Q2. A stable reference current of  $I_{REF} = 1.375 \text{ mA}$  is produced by a band gap reference circuit and applied to the common emitter node of a controlled cascode formed by Q1 and Q2. When  $V_X = 0 \text{ V}$ , all of  $I_{REF}$  flows in Q1 due to the action of the high gain control amplifier, which lowers the voltage on the base of Q2. As  $V_X$  is raised, the fraction of  $I_{REF}$  flowing in Q2 is forced to balance the control current,  $V_X/2.5 \text{ k}\Omega$ . At the full-scale value of  $V_X$  (3 V) this fraction is 0.873. Because the base of Q1, Q4, and Q5 are at ground potential and the bases of Q2, Q3, and Q6 are commoned, all three controlled cascodes divide the current applied to their emitter nodes in the same proportion. The control loop is stabilized by the external capacitor,  $C_C$ .

The signal voltages,  $V_{Y1}$  and  $V_{Y2}$  (generically referred to as  $V_Y$ ), are first converted to currents by voltage-to-current converters with a  $g_m$  of  $575 \mu\text{mhos}$ . Thus, the full-scale input of  $\pm 2 \text{ V}$  becomes a current of  $\pm 1.15 \text{ mA}$ , which is superimposed on a bias of  $2.75 \text{ mA}$  and applied to the common emitter node of controlled cascode Q3/Q4 or Q5/Q6. As previously explained, the proportion of this current steered to the output node is linearly dependent on  $V_X$ . Therefore, for full-scale  $V_X$  and  $V_Y$  inputs, a signal of  $\pm 1 \text{ mA}$  ( $0.873 \times \pm 1.15 \text{ mA}$ ) and a bias component of  $2.4 \text{ mA}$  ( $0.873 \times 2.75 \text{ mA}$ ) appear at the output. The bias component absorbed by the  $1.25 \text{ k}\Omega$  resistors also connected to  $V_X$  and the resulting signal current can be applied to an external load resistor (in which case scaling is not accurate) or can be forced into either or both of the  $6 \text{ k}\Omega$  feedback resistors (to the Z and W nodes) by an external op amp. In the latter case, scaling accuracy is guaranteed.

### GENERAL RECOMMENDATIONS

The AD539 is a high speed circuit and requires considerable care to achieve its full performance potential. A high quality ground plane should be used with the device either soldered directly into the board or mounted in a low profile socket. In Figure 18, an open triangle denotes a direct, short connection to this ground plane; the BASE COMMON pins (Pin 12 and Pin 13) are especially prone to unwanted signal pickup. Power supply decoupling capacitors of  $0.1 \mu\text{F}$  to  $1 \mu\text{F}$  should be connected from the  $+V_S$  and  $-V_S$  pins (Pin 4 and Pin 5) to the ground plane. In applications using external high speed op amps, use separate supply decoupling. It is good practice to insert small ( $10 \Omega$ ) resistors between the primary supply and the decoupling capacitor.

The control amplifier compensation capacitor,  $C_C$ , should likewise have short leads to ground and a minimum value of  $3 \text{ nF}$ . Unless maximum control bandwidth is essential, it is advisable to use a larger value of  $0.01 \mu\text{F}$  to  $0.1 \mu\text{F}$  to improve the signal channel phase response, high frequency crosstalk, and high frequency distortion. The control bandwidth is inversely proportional to this capacitance, typically  $2 \text{ MHz}$  for  $C_C = 0.01 \mu\text{F}$ ,  $V_X = 1.7 \text{ V}$ . The bandwidth and pulse response of the control channel can be improved by using a feedforward capacitor of 5% to 20% the value of  $C_C$  between the  $V_X$  and HF COMP pins (Pin 1 and Pin 2). Optimum transient response results when the rise/fall time of  $V_X$  are commensurate with the control channel response time.

$V_X$  should not exceed the specified range of  $0 \text{ V}$  to  $3 \text{ V}$ . The ac gain is zero for  $V_X < 0 \text{ V}$  but there remains a feedforward path (see Figure 18) causing control feedthrough. Recovery time from negative values of  $V_X$  can be improved by adding a small signal Schottky diode with its cathode connected to HF COMP (Pin 2) and its anode grounded. This constrains the voltage swing on  $C_C$ . Above  $V_X = 3.2 \text{ V}$ , the ac gain limits at its maximum value, but any overdrive appears as control feedthrough at the output.

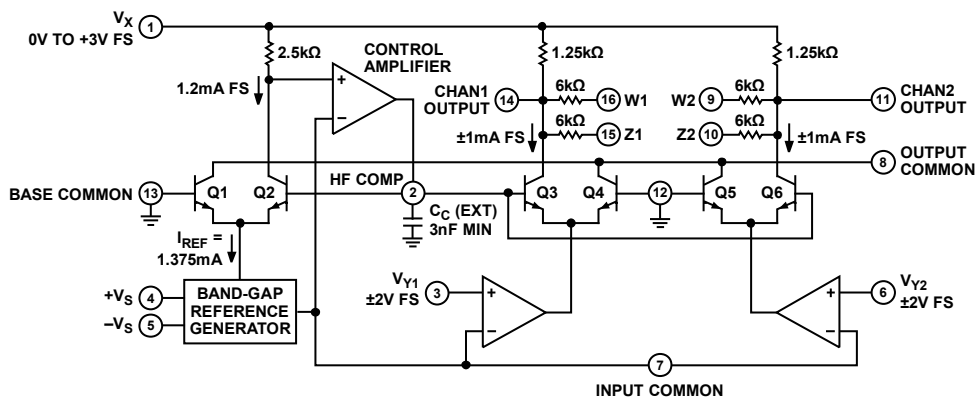


Figure 18. Simplified Schematic of AD539 Multiplier (16-Lead SBDIP and PDIP Shown)

The power supplies to the AD539 can be as low as  $\pm 4.5$  V and as high as  $\pm 16.5$  V. The maximum allowable range of the signal inputs,  $V_Y$ , is approximately 0.5 V above  $+V_S$ ; the minimum value is 2.5 V above  $-V_S$ . To accommodate the peak specified inputs of  $\pm 4.2$  V the supplies should be nominally +5 V and  $-7.5$  V. Although there is no performance advantage in raising supplies above these values, it may often be convenient to use the same supplies as for the op amps. The AD539 can tolerate the excess voltage with only a slight effect on dc accuracy but dissipation at  $\pm 16.5$  V can be as high as 535 mW, and some form of heat sink is essential in the interests of reliability.

## TRANSFER FUNCTION

In using any analog multiplier or divider, careful attention must be paid to the matter of scaling, particularly in computational applications. To be dimensionally consistent, a scaling voltage must appear in the transfer function, which, for each channel of the AD539 in the standard multiplier configuration (see Figure 20), is

$$V_W = -V_X V_Y / V_U$$

where the  $V_X$  and  $V_Y$  inputs, the  $V_W$  output, and the scaling voltage,  $V_U$ , are expressed in a consistent unit, usually volts. In this case,  $V_U$  is fixed by the design to be 1 V and it is often acceptable in the interest of simplification to use the less rigorous expression

$$V_W = -V_X V_Y$$

where it is understood that all signals must be expressed in volts, that is, they are rendered dimensionless by division by 1 V.

The accuracy specifications for  $V_U$  allow the use of either of the two feedback resistors supplied with each channel, because these are very closely matched, or they can be used in parallel to halve the gain (double the effective scaling voltage), when

$$V_W = -V_X V_Y / 2$$

When an external load resistor,  $R_L$ , is used, the scaling is no longer exact because the internal thin film resistors, although trimmed to high ratiometric accuracy, have an absolute tolerance of 20%. However, the nominal transfer function is

$$V_W = -V_X V_Y / V_U'$$

where the effective scaling voltage,  $V_U'$ , can be calculated for each channel using the formula

$$V_U' = V_U (5R_L + 6.25) / R_L$$

where  $R_L$  is expressed in kilohms. For example, when  $R_L = 100 \Omega$ ,  $V_U' = 67.5$  V. Table 5 provides more detailed data for the case where both channels are used in parallel. The AD539 can

also be used with no external load (CHAN2 OUTPUT, Pin 11, or CHAN1 OUTPUT, Pin 14, open circuit), when  $V_U'$  is precisely 5 V.

## DUAL SIGNAL CHANNELS

The signal voltage inputs,  $V_{Y1}$  and  $V_{Y2}$ , have nominal full-scale (FS) values of  $\pm 2$  V with a peak range to  $\pm 4.2$  V (using a negative supply of 7.5 V or greater). For video applications where differential phase is critical, a reduced input range of  $\pm 1$  V is recommended, resulting in a phase variation of typically  $\pm 0.2^\circ$  at 3.579 MHz for full gain. The input impedance is typically 400 k $\Omega$  shunted by 3 pF. Signal channel distortion is typically well under 0.1% at 10 kHz and can be reduced to 0.01% by using the channels differentially.

## COMMON CONTROL CHANNEL

The control channel accepts positive inputs,  $V_X$ , from 0 V to 3 V FS,  $\pm 3.3$  V peak. The input resistance is 500  $\Omega$ . An external, grounded capacitor determines the small-signal bandwidth and recovery time of the control amplifier; the minimum value of 3 nF allows a bandwidth at midgain of about 5 MHz. Larger compensation capacitors slow the control channel but improve the high frequency performance of the signal channels.

## FLEXIBLE SCALING

Using either one or two external op amps in conjunction with the on-chip 6 k $\Omega$  scaling resistors (see Figure 19), the output currents (nominally  $\pm 1$  mA FS,  $\pm 2.25$  mA peak) can be converted to voltages with accurate transfer functions of  $V_W = -V_X V_Y / 2$ ,  $V_W = -V_X V_Y$ , or  $V_W = -2V_X V_Y$  (where the  $V_X$  and  $V_Y$  inputs and  $V_W$  output are expressed in volts), with corresponding full-scale outputs of  $\pm 3$  V,  $\pm 6$  V, and  $\pm 12$  V. Alternatively, low impedance grounded loads can be used to achieve the full signal bandwidth of 60 MHz, in which mode the scaling is less accurate.

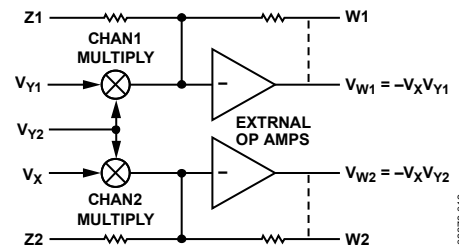


Figure 19. Block Diagram Showing Scaling Resistors and External Op Amps

## APPLICATIONS INFORMATION

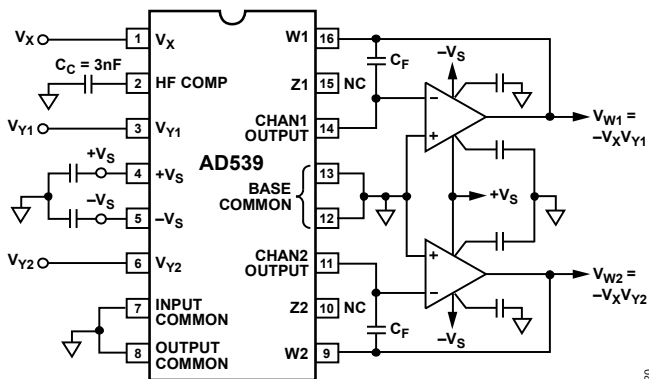
### BASIC MULTIPLIER CONNECTIONS

Figure 20 shows the connections for the standard dual-channel multiplier, using op amps to provide useful output power and the AD539 feedback resistors to achieve accurate scaling. The transfer function for each channel is

$$V_W = -V_X V_Y$$

where the inputs and outputs are expressed in volts (see the Transfer Function section).

At the nominal full-scale inputs of  $V_X = 3\text{ V}$  and  $V_Y = \pm 2\text{ V}$ , the full-scale outputs are  $\pm 6\text{ V}$ . Depending on the choice of op amp, their supply voltages may need to be about  $2\text{ V}$  more than the peak output. Thus, supplies of at least  $\pm 8\text{ V}$  are required; the AD539 can share these supplies. Higher outputs are possible if  $V_X$  and  $V_Y$  are driven to their peak values of  $+3.2\text{ V}$  and  $\pm 4.2\text{ V}$ , respectively, when the peak output is  $\pm 13.4\text{ V}$ . This requires operating the op amps at supplies of  $\pm 15\text{ V}$ . Under these conditions, it is advisable to reduce the supplies to the AD539 to  $\pm 7.5\text{ V}$  to limit its power dissipation; however, with some form of heat-sinking, it is permissible to operate the AD539 directly from  $\pm 15\text{ V}$  supplies.



#### NOTES

1. ALL DECOUPLING CAPACITORS ARE 0.47 $\mu$ F CERAMIC.

Figure 20. Standard Dual-Channel Multiplier  
(16-Lead SBDIP and PDIP Shown)

Viewed as a voltage-controlled amplifier, the decibel gain is simply

$$G = 20 \log V_X$$

where  $V_X$  is expressed in volts. This results in a gain of  $10\text{ dB}$  at  $V_X = 3.162\text{ V}$ ,  $0\text{ dB}$  at  $V_X = 1\text{ V}$ ,  $-20\text{ dB}$  at  $V_X = 0.1\text{ V}$ , and so on. In many ac applications, the output offset voltage (for  $V_X = 0\text{ V}$  or  $V_Y = 0\text{ V}$ ) is not a major concern; however, it can be eliminated using the offset nulling method recommended for the particular op amp, with  $V_X = V_Y = 0\text{ V}$ .

At small values of  $V_X$ , the offset voltage of the control channel degrades the gain/loss accuracy. For example, a  $\pm 1\text{ mV}$  offset uncertainty causes the nominal  $40\text{ dB}$  attenuation at  $V_X = 0.01\text{ V}$  to range from  $39.2\text{ dB}$  to  $40.9\text{ dB}$ . Figure 4 shows the maximum gain error boundaries based on the guaranteed control channel offset voltages of  $\pm 2\text{ mV}$  for the AD539K and  $\pm 4\text{ mV}$  for the AD539J. These curves include all scaling errors

and apply to all configurations using the internal feedback resistors ( $W1$  and  $W2$  or, alternatively,  $Z1$  and  $Z2$ ).

Distortion is a function of the signal input level ( $V_Y$ ) and the control input ( $V_X$ ). It is also a function of frequency, although in practice, the op amp generates most of the distortion at frequencies above  $100\text{ kHz}$ . Figure 5 shows typical results at  $f = 10\text{ kHz}$  as a function of  $V_X$  with  $V_Y = 0.5\text{ V rms}$  and  $1.5\text{ V rms}$ .

In some cases, it may be desirable to alter the scaling. This can be achieved in several ways. One option is to use both the  $Z$  and  $W$  feedback resistors (see Figure 18) in parallel, in which case  $V_W = -V_X V_Y / 2$ . This may be preferable where the output swing must be held at  $\pm 3\text{ V FS}$  ( $\pm 6.75\text{ peak}$ ), for example, to allow the use of reduced supply voltages for the op amps. Alternatively, the gain can be doubled by connecting both channels in parallel and using only a single feedback resistor, in which case  $V_W = -2V_X V_Y$  and the full-scale output is  $\pm 12\text{ V}$ . Another option is to insert a resistor in series with the control channel input, permitting the use of a large (for example,  $0\text{ V}$  to  $10\text{ V}$ ) control voltage. A disadvantage of this scheme is the need to adjust this resistor to accommodate the tolerance of the nominal  $500\ \Omega$  input resistance at Pin 1,  $V_X$ . The signal channel inputs can also be resistively attenuated to permit operation at higher values of  $V_Y$ , in which case it may often be possible to partially compensate for the response roll-off of the op amp by adding a capacitor across the upper arm of this attenuator.

### Signal Channel AC and Transient Response

The HF response is dependent almost entirely on the op amp. Note that the noise gain for the op amp in Figure 20 is determined by the value of the feedback resistor ( $6\text{ k}\Omega$ ) and the  $1.25\text{ k}\Omega$  control-bias resistors (see Figure 18). Op amps with provision for external frequency compensation should be compensated for a closed-loop gain of 6.

The layout of the circuit components is very important if low feedthrough and flat response at low values of  $V_X$  is to be maintained (see the General Recommendations section).

For wide bandwidth applications requiring an output voltage swing greater than  $\pm 1\text{ V}$ , the LH0032 hybrid op amp is recommended. Figure 6 shows the HF response of the circuit of Figure 20 using this amplifier with  $V_Y = 1\text{ V rms}$  and other conditions as shown in Table 4.  $C_F$  was adjusted for  $1\text{ dB}$  peaking at  $V_X = 1\text{ V}$ ; the  $-3\text{ dB}$  bandwidth exceeds  $25\text{ MHz}$ . The effect of signal feedthrough on the response becomes apparent at  $V_X = 0.01\text{ V}$ . The minimum feedthrough results when  $V_X$  is taken slightly negative to ensure that the residual control channel offset is exceeded and the dc gain is reliably zero. Measurements show that the feedthrough can be held to  $-90\text{ dB}$  relative to full output at low frequencies and to  $-60\text{ dB}$  up to  $20\text{ MHz}$  with careful board layout. The corresponding pulse response is shown in Figure 7 for a signal input of  $V_Y$  of  $\pm 1\text{ V}$  and two values of  $V_X$  ( $3\text{ V}$  and  $0.1\text{ V}$ ).

**Table 4. Summary of Operating Conditions and Performance for the AD539 When Used with Various External Op Amp Output Amplifiers**

| Operating Conditions                     | AD711 <sup>1</sup> | LH0032 <sup>1</sup> |
|--|--------------------|---------------------|
| Op Amp Supply Voltages                   | ±15 V              | ±10 V               |
| Op Amp Compensation Capacitor            | None               | 1 pF to 5 pF        |
| Feedback Capacitor, C <sub>F</sub>       | None               | 1 pF to 4 pF        |
| –3 dB Bandwidth, V <sub>X</sub> = 1 V    | 900 kHz            | 25 MHz              |
| Load Capacitance                         | <1 nF              | <10 pF              |
| HF Feedthrough                           |                    |                     |
| V <sub>X</sub> = –0.01 V, f = 5 MHz      | N/A                | –70 dB              |
| RMS Output Noise                         |                    |                     |
| V <sub>X</sub> = 1 V, BW 10 Hz to 10 kHz | 50 μV              | 30 μV               |
| V <sub>X</sub> = 1 V, BW 10 Hz to 5 MHz  | 120 μV             | 500 μV              |

<sup>1</sup> For the circuit of Figure 20.

In all cases, 0.47 μF ceramic supply decoupling capacitors were used at each IC pin, the AD539 supplies were ±5 V, and the control compensation capacitor C<sub>C</sub> was 3 nF.

**Minimal Wideband Configurations**

The maximum bandwidth can be achieved using the AD539 with simple resistive loads to convert the output currents to voltages. These currents (nominally ±1 mA FS, ±2.25 mA peak, into short-circuit loads) are shunted by their source resistance of 1.25 kΩ (each channel). Calculations of load power and effective scaling-voltage must allow for this shunting effect when using resistive loads. The output power is quite low in this mode, and the device behaves more like a voltage-controlled attenuator than a classical multiplier. The matching of gain and phase between the two channels is excellent. From dc to 10 MHz, the gains are typically within ±0.025 dB (measured using precision 50 Ω load resistors) and the phase difference within ±0.1°.

For a given load resistance, the output power can be quadrupled by using both channels in parallel, as shown in Figure 21. The small signal silicon diode, D, connected between ground and

BASE COMMON (Pin 12 and Pin 13) provides extra voltage compliance at the output nodes in the negative direction (to –1 V at 25°C); it is not required if the output swing does not exceed –300 mV. Table 5 compares performance for various load resistances, using this configuration.

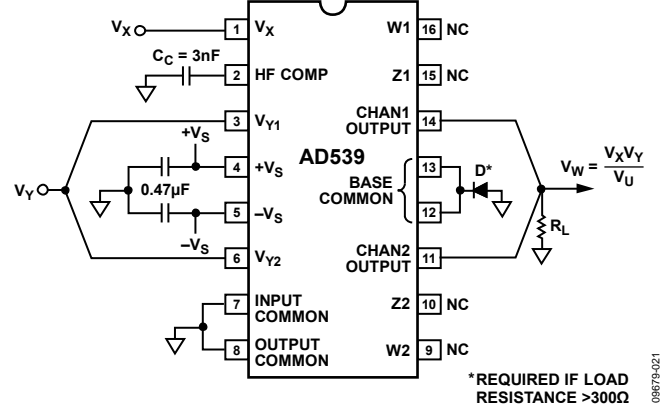


Figure 21. Minimal Single-Channel Multiplier (16-Lead SBDIP and PDIP Shown)

Figure 9 shows the high frequency response for Figure 21 with the AD539 in a carefully shielded 50 Ω test environment; the test system response was first characterized and this background removed by digital signal processing to show the inherent circuit response.

In many applications phase linearity over frequency is important. Figure 10 shows the deviation from an ideal linear-phase response for a typical AD539 over the frequency range dc to 10 MHz, for V<sub>X</sub> = 3 V; the peak deviation is slightly more than 1°. Differential phase linearity (the stability of phase over the signal window at a fixed frequency) is shown in Figure 11 for f = 3.579 MHz and various values of V<sub>X</sub>. The most rapid variation occurs for V<sub>Y</sub> above 1 V; in applications where this characteristic is critical, it is recommended that a ground-referenced, negative-going signal be used.

**Table 5. Summary of Performance for Minimal Configuration**

| Load Resistance                | 50 Ω        | 75 Ω        | 100 Ω      | 150 Ω      | 600 Ω             | Open Circuit      |
|--------------------------------|-------------|-------------|------------|------------|-------------------|-------------------|
| FS Output Voltage              |             |             |            |            |                   |                   |
| DC                             | ±92.6 mV    | ±134 mV     | ±172 mV    | ±242 mV    | ±612 mV           | ±1 V              |
| AC (RMS)                       | 65.5 mV rms | 94.7 mV rms | 122 mV rms | 171 mV rms | 433 mV rms        | Note <sup>1</sup> |
| FS Output                      | 0.086 mW    | 0.12 mW     | 0.15 mW    | 0.195 mW   | 0.312 mW          | N/A <sup>2</sup>  |
| Power in Load                  | –10.5 dBm   | –9.2 dBm    | –8.3 dBm   | –7.1 dBm   | –5.05 dBm         | N/A               |
| Peak Output Voltage            |             |             |            |            |                   |                   |
| DC                             | ±210 mV     | ±300 mV     | ±388 mV    | ±544 mV    | ±1 mV             | ±1 V              |
| AC (RMS)                       | 148 mV rms  | 212 mV rms  | 274 mV rms | 385 mV rms | Note <sup>1</sup> | Note <sup>1</sup> |
| Peak Output                    | 0.44 mW     | 0.6 mW      | 0.75 mW    | 1 mW       | ±1 V              | ±1 V              |
| Power in Load                  | –7 dBm      | –4.4 dBm    | –2.5 dBm   | 0 dBm      | Note <sup>1</sup> | Note <sup>1</sup> |
| Effective Scaling Voltage, Vu' | 67.5 V      | 46.7 V      | 36.3 V     | 25.8 V     | 10.2 V            | 5 V               |

<sup>1</sup> Peak negative voltage swing limited by output compliance.

<sup>2</sup> N/A means not applicable.

# AD539

## Differential Configurations

When only one signal channel must be handled, it is often advantageous to use the channels differentially. By subtracting the Channel 1 and Channel 2 outputs, any residual transient control feedthrough is virtually eliminated. Figure 22 shows a minimal configuration where it is assumed that the host system uses differential signals and a 50 Ω environment throughout. This figure also shows a recommended control feedforward network to improve large-signal response time. The control feedthrough glitch is shown in Figure 12, where the input was applied to Channel 1 and only the output of Channel 1 was displayed on the oscilloscope. The improvement obtained when CH1 and CH2 outputs are viewed differentially is clear in Figure 13. The envelope rise time is of the order of 40 ns.

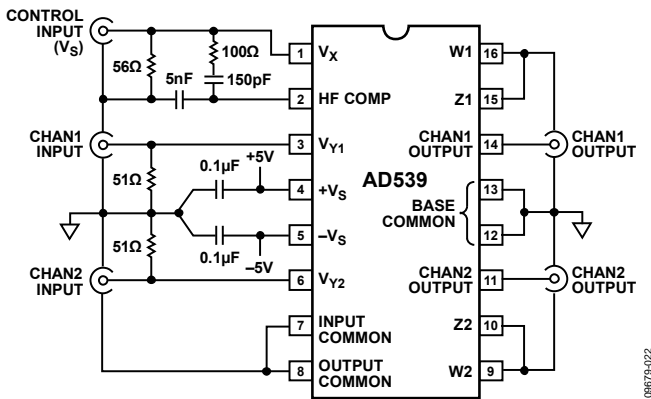


Figure 22. High Speed Differential Configuration (16-Lead SBDIP and PDIP Shown)

Lower distortion results when Channel 1 and Channel 2 are driven by complementary inputs and the outputs are utilized differentially, using a circuit such as the one shown in Figure 23. Resistors R1 and R2 minimize a secondary distortion mechanism

caused by a collector modulation effect in the controlled cascode stages (see the Theory of Operation section) by keeping the voltage swing at the outputs to an acceptable level and should have a value in the range of 100 Ω to 1000 Ω. Figure 14 shows the improvement in distortion over the standard configuration (compare with Figure 5). Note that the Z nodes (Pin 10 and Pin 15) are returned to the control input; this prevents the early onset of output transistor saturation.

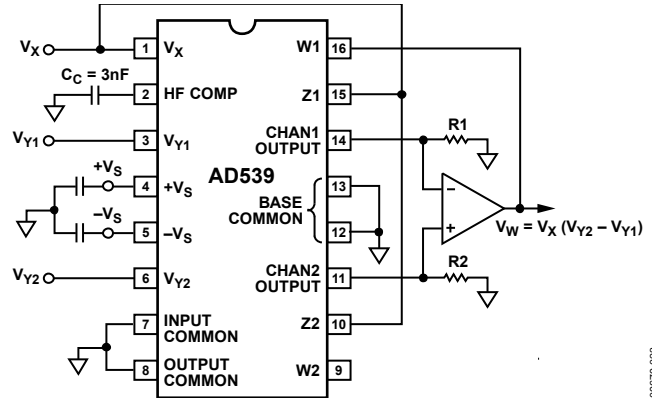


Figure 23. Low Distortion Differential Configuration (16-Lead SBDIP and PDIP Shown)

Even lower distortion (0.01%, or -80 dB) has been measured using two output op amps in a configuration similar to that shown in Figure 20 connected as virtual ground current summers (to prevent the modulation effect). Note that to generate the difference output it is merely necessary to connect the output of the Channel 1 op amp to the Z node of Channel 2. In this way, the net input to the Channel 2 op amp is the difference signal, and the low distortion resultant appears as its output.

**A 50 MHZ VOLTAGE-CONTROLLED AMPLIFIER**

Figure 24 is a circuit for a 50 MHz voltage-controlled amplifier (VCA) suitable for use in high quality video-speed applications. The outputs from the two signal channels of the AD539 are applied to the op amp in a subtracting configuration. This connection has two main advantages: first, it results in better rejection of the control voltage, particularly when overdriven ( $V_X < 0$  V or  $V_X > 3.3$  V). Secondly, it provides a choice of either noninverting or inverting response, using either input,  $V_{Y1}$  or  $V_{Y2}$ , respectively. In this circuit, the output of the op amp equals

$$V_{OUT} = \frac{V_X (V_{Y1} - V_{Y2})}{2V} \text{ for } V_X > 0 \text{ V}$$

Therefore, the gain is unity at  $V_X = 2$  V. Because  $V_X$  can over-range to 3.3 V, the maximum gain in this configuration is about 4.3 dB.

The -3 dB bandwidth of this circuit is over 50 MHz at a full gain and is not substantially affected at lower gains. When  $V_X$  is

zero (or slightly negative, to override the residual input offset) there is still a small amount of capacitive feedthrough at high frequencies; therefore, extreme care is required in laying out the PC board to minimize this effect. In addition, for small values of  $V_X$ , the combination of this feedthrough with the multiplier output can cause a dip in the response where they are out of phase. Figure 15 shows the ac response from the noninverting input, with the response from the inverting input,  $V_{Y2}$ , essentially identical. Test conditions include  $V_{Y1} = 0.5$  V rms for values of  $V_X$  from 10 mV to 3.16 V; this is with a 75 Ω load on the output. The feedthrough at  $V_X = -10$  mV is also shown.

With the VCA driving a 75 Ω load and the transient response of the signal channel at  $V_X = 2$  V,  $V_Y = V_{OUT} = \pm 1$  V is shown in Figure 16. The rise and fall times are approximately 7 ns.

A more detailed description of this circuit, including differential gain and phase characteristics, is given in the AN-213 Application Note, *Low Cost, Two Chip Voltage-Controlled Amplifier and Video Switch*, available from Analog Devices.

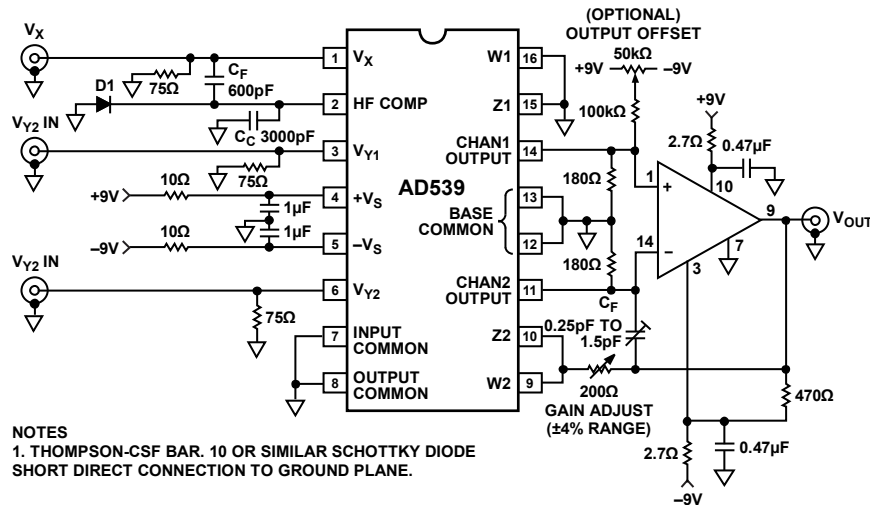


Figure 24. A Wide Bandwidth Voltage-Controlled Amplifier (16-Lead SBDIP and PDIP Shown)

# AD539

## BASIC DIVIDER CONNECTIONS

### Standard Scaling

The AD539 provides excellent operation as a two-quadrant analog divider in wideband, wide gain-range applications, with the advantage of dual-channel operation. Figure 25 shows the simplest connections for division with a transfer function of

$$V_Y = -V_U V_W / V_X$$

Recalling that the nominal value of  $V_U$  is 1 V, this can be simplified to

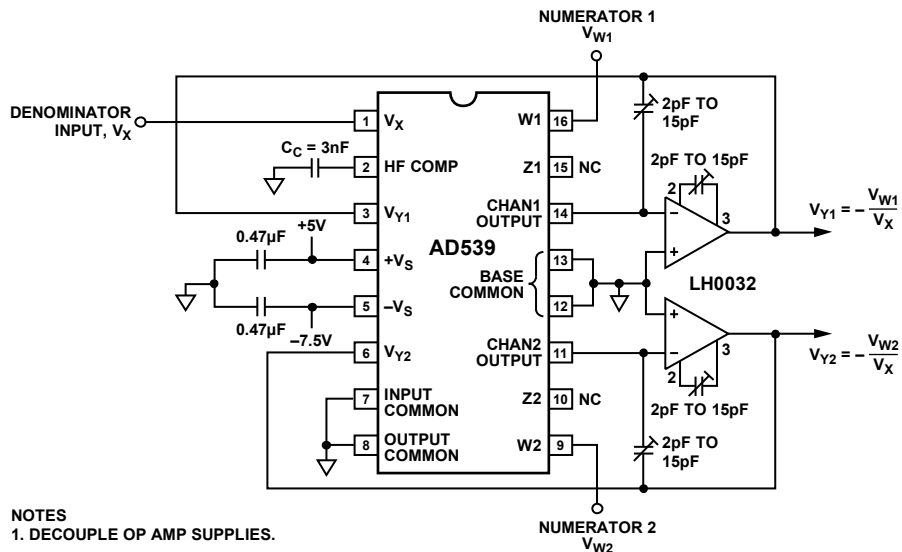
$$V_Y = -V_W / V_X$$

where all signals are expressed in volts. The circuit thus exhibits unity gain for  $V_X = 1$  V and a gain of 40 dB when  $V_X = 0.01$  V.

The output swing is limited to  $\pm 2$  V nominal full scale and  $\pm 4.2$  V peak (using a  $-V_S$  supply of at least 7.5 V for the AD539). Because the maximum loss is 10 dB (at  $V_X = 3.162$  V), it follows that the maximum input to  $V_W$  should be  $\pm 6.3$  V (4.4 V rms) for low distortion applications and no more than  $\pm 13.4$  V (9.5 V

rms) to avoid clipping. Note that offset adjustment is needed for the op amps to maintain accurate dc levels at the output in high gain applications: the noise gain is  $6 V/V_X$ , or 600 at  $V_X = 0.01$  V.

The gain magnitude response for this configuration using the LH0032 op amps with nominally 12 pF compensation (HF COMP, Pin 2, to  $V_{Y1}$ , Pin 3) and  $C_F = 7$  pF is shown in Figure 17; however, other amplifiers can also be used. Because there is some manufacturing variation in the HF response of the op amps and load conditions also affect the response, these capacitors should be adjustable: 5 pF to 15 pF is recommended for both positions. The bandwidth in this configuration is nominally 17 MHz at  $V_X = 3.162$  V, 4.5 MHz at  $V_X = 1$  V, 350 kHz at  $V_X = 0.1$  V, and 35 kHz at  $V_X = 0.01$  V. The general recommendations regarding the use of a good ground plane and power supply decoupling should be carefully observed. Other suitable high speed op amps include: [AD844](#), [AD827](#), and [AD811](#). Consult these data sheets for suitable applications circuits.



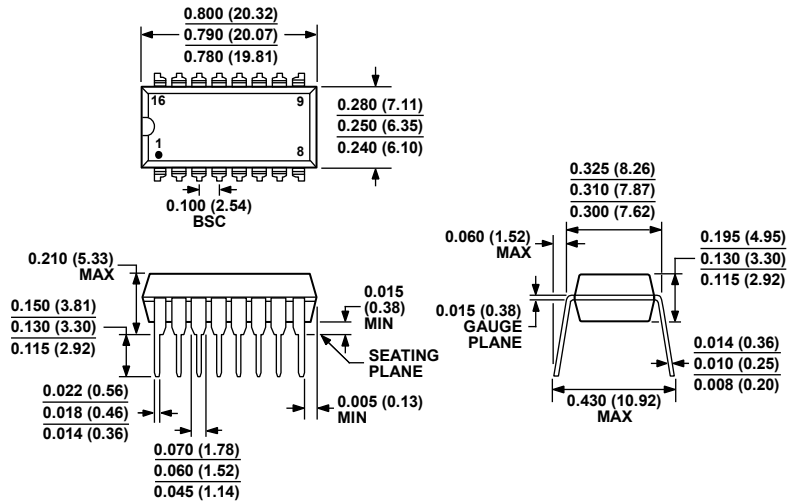
NOTES  
1. DECOUPLE OP AMP SUPPLIES.

Figure 25. 2-Channel Divider with 1 V Scaling (16-Lead SBDIP and PDIP Shown)

05879-025



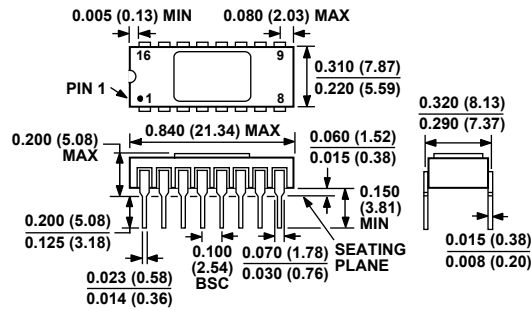
OUTLINE DIMENSIONS



COMPLIANT TO JEDEC STANDARDS MS-001-AB  
 CONTROLLING DIMENSIONS ARE IN INCHES; MILLIMETER DIMENSIONS (IN PARENTHESES) ARE ROUNDED-OFF INCH EQUIVALENTS FOR REFERENCE ONLY AND ARE NOT APPROPRIATE FOR USE IN DESIGN. CORNER LEADS MAY BE CONFIGURED AS WHOLE OR HALF LEADS.

Figure 26. 16-Lead Plastic Dual In-Line Package [PDIP] Narrow Body (N-16)

Dimensions shown in inches and (millimeters)

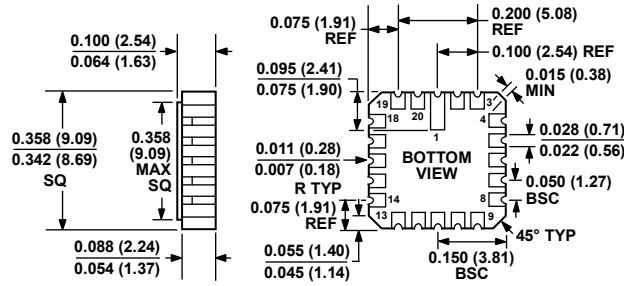


CONTROLLING DIMENSIONS ARE IN INCHES; MILLIMETER DIMENSIONS (IN PARENTHESES) ARE ROUNDED-OFF INCH EQUIVALENTS FOR REFERENCE ONLY AND ARE NOT APPROPRIATE FOR USE IN DESIGN.

Figure 27. 16-Lead Side-Braced Ceramic Dual In-Line Package (SBDIP) (D-16)

Dimensions shown in inches and (millimeters)

# AD539



CONTROLLING DIMENSIONS ARE IN INCHES; MILLIMETER DIMENSIONS (IN PARENTHESES) ARE ROUNDED-OFF INCH EQUIVALENTS FOR REFERENCE ONLY AND ARE NOT APPROPRIATE FOR USE IN DESIGN.

Figure 28. 20-Terminal Ceramic Leadless Chip Carrier [LCC] (E-20-1)

Dimensions shown in inches and (millimeters)

022106-A

## ORDERING GUIDE

| Model <sup>1</sup> | Notes        | Temperature Range | Package Description | Package Option |
|--------------------|--------------|-------------------|---------------------|----------------|
| AD539JN            |              | 0°C to 70°C       | 16-Lead PDIP        | N-16           |
| AD539JNZ           |              | 0°C to 70°C       | 16-Lead PDIP        | N-16           |
| AD539JDZ           |              | 0°C to 70°C       | 16-Lead SBDIP       | D-16           |
| AD539KN            |              | 0°C to 70°C       | 16-Lead PDIP        | N-16           |
| AD539KNZ           |              | 0°C to 70°C       | 16-Lead PDIP        | N-16           |
| AD539KDZ           |              | 0°C to 70°C       | 16-Lead SBDIP       | D-16           |
| AD539SD            |              | -55°C to +125°C   | 16-Lead SBDIP       | D-16           |
| AD539SD/883B       |              | -55°C to +125°C   | 16-Lead SBDIP       | D-16           |
| 5962-8980901EA     | <sup>2</sup> | -55°C to +125°C   | 16-Lead SBDIP       | D-16           |
| AD539SE/883B       |              | -55°C to +125°C   | 20-Terminal LCC     | E-20-1         |

<sup>1</sup> Z = RoHS Compliant Part.

<sup>2</sup> The standard military drawing version of the AD539 (5962-8980901EA) is now available.

**NOTES**