

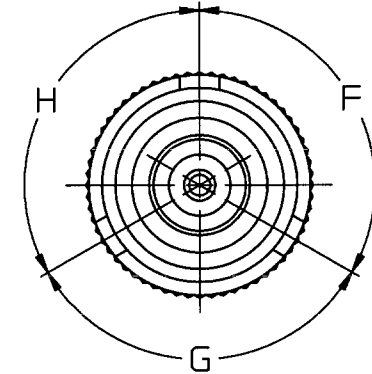
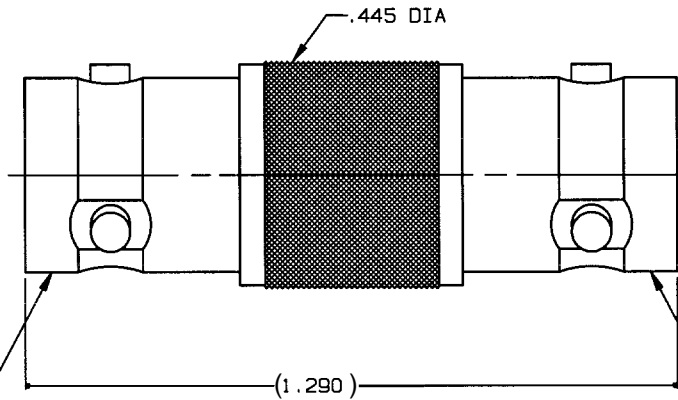
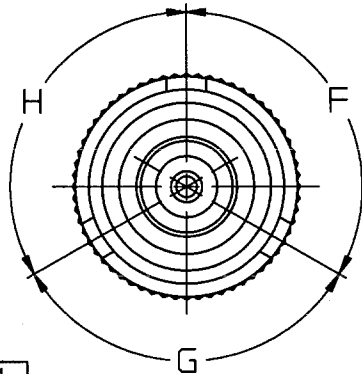
RED INDICATES ORIGINAL

DWG SIZE **B**
 DATA CONTAINED IN THIS DOCUMENT IS PROPRIETARY TO TROMPETER ELECTRONICS INC. AND SHALL NOT BE DISCLOSED, COPIED OR USED FOR PROCUREMENT OR MANUFACTURE WITHOUT EXPRESS WRITTEN PERMISSION.

REV		ED	DESCRIPTION	DWN	APPROVED	DATE
K		10721	ADDED COLOR BAND LOCATION; SEE ECO	DKC	<i>[Signature]</i>	7/5/94
L		56215			M.ANDERSON	5-11-16

POLARIZATION CHART

KEYING LETTER	F DEGREES	G DEGREES	H DEGREES	COLOR BAND
T	100°	150°	110°	RED
U	120°	130°	110°	ORANGE
V	115°	130°	115°	YELLOW
W	125°	110°	125°	GREEN
X	130°	100°	130°	BLUE
Y	110°	140°	110°	VIOLET
Z	100°	160°	100°	GRAY
S	135°	135°	90°	WHITE
NONE	120°	120°	120°	NONE



INCH	MM
.005	0.13
.030	0.76
.445	11.30
1.290	32.77

COLOR BAND

COLOR BAND

4. EXAMPLE OF COMPLETE MODEL NO:

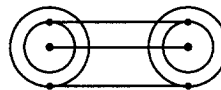
AD78 Y

BASIC MODEL NO — KEY LTR

3. WITHIN SERIES CONCENTRIC TWINAX/TRIAX TRB FEEDTHRU RECEPTACLE ADAPTER

2. FINISH BODY NICKEL

1. ALL DIM ARE IN INCHES



SCHEMATIC

QTY	DESCRIPTION		PART NUMBER	ITEM		
TOL UNLESS SPECIFIED	.XX ±		TROMPETER ELECTRONICS, INC.	AD78		
	.XXX ± .005					
	.XXXX ±					
	ANGLE ±					
DWN	DKC	6-27-94	MATERIAL	CODE IDENT	DRAWING NO.	REV
CHK	<i>[Signature]</i>	<i>[Signature]</i>	—	14949	305-0140	L
ENGR	<i>[Signature]</i>	<i>[Signature]</i>	SCALE 4/1	DATE 2-5-81	SHEET 1 OF 1	

3-0057
 NEXT ASSY