

16-Bit, 2 MSPS, μ Module Data Acquisition Solution

FEATURES

- ▶ Improved design journey
 - ▶ Fully differential ADC driver with selectable input range
 - ▶ Input ranges with 5 V V_{REF} : ± 10 V, ± 5 V, or ± 2.5 V
 - ▶ Essential passive components included
 - ▶ $\pm 0.005\%$ *i*Passives matched resistor array
 - ▶ Wide input common-mode voltage range
 - ▶ High common-mode rejection ratio
 - ▶ Single-ended to differential conversion
- ▶ Increased signal chain density
 - ▶ **Small, 7 mm \times 7 mm, 0.80 mm pitch, 49-ball CSP_BGA**
 - ▶ 4 \times footprint reduction vs. discrete solution
 - ▶ On-board reference buffer with V_{CM} generation
- ▶ High performance
 - ▶ Throughput: 2 MSPS, no pipeline delay
 - ▶ Guaranteed 16-bit no missing codes
 - ▶ INL: ± 4.6 ppm typical, ± 11.9 ppm guaranteed
 - ▶ SINAD: 95.6 dB typical ($G = 0.454$)
 - ▶ Offset error drift: 0.7 ppm/ $^{\circ}$ C typical ($G = 0.454$)
 - ▶ Gain error drift: ± 0.5 ppm/ $^{\circ}$ C typical
- ▶ Low total power dissipation: 51.6 mW typical at 2 MSPS
- ▶ SPI-/QSPI™-/MICROWIRE™-/DSP-compatible serial interface
 - ▶ Versatile logic interface supply with 1.8 V, 2.5 V, 3 V, or 5 V

APPLICATIONS

- ▶ Automatic test equipment
- ▶ Machine automation
- ▶ Process controls
- ▶ Medical instrumentation
- ▶ Digital control loops

FUNCTIONAL BLOCK DIAGRAM

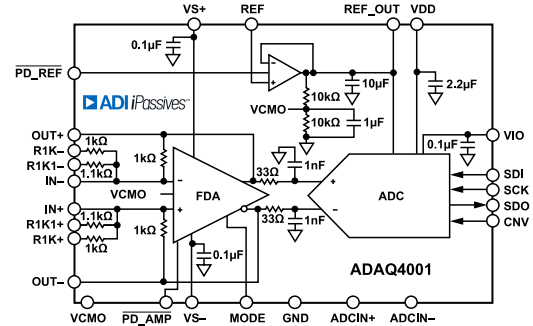


Figure 1.

GENERAL DESCRIPTION

The ADAQ4001 is a μ Module® precision data acquisition (DAQ), signal chain solution that reduces the development cycle of a precision measurement system by transferring the signal chain design challenge of component selection, optimization, and layout from the designer to the device.

Using system-in-package (SIP) technology, the ADAQ4001 reduces end system component count by combining multiple common signal processing and conditioning blocks into a single device. These blocks include a high resolution 16-bit, 2 MSPS successive approximation register (SAR), analog-to-digital converter (ADC), a low noise, fully differential ADC driver amplifier (FDA), and a stable reference buffer.

Using Analog Devices, Inc., *i*Passives® technology, the ADAQ4001 also incorporates crucial passive components with superior matching and drift characteristics to minimize temperature dependent error sources and to offer optimized performance (see Figure 1). Housing this signal chain solution in a **small, 7 mm \times 7 mm, 0.80 mm pitch, 49-ball chip scale package ball grid array (CSP_BGA)** enables compact form factor designs without sacrificing performance and simplifies end system bill of materials management. This level of system integration makes the ADAQ4001 much less sensitive to printed circuit board (PCB) layout while still providing flexibility to adapt to a wide range of signal levels.

The serial peripheral interface (SPI)-compatible, serial user interface is compatible with 1.8 V, 2.5 V, 3 V, or 5 V logic, using a separate VIO supply. The specified operation of the ADAQ4001 is from -40° C to $+125^{\circ}$ C.

Table 1. μ Module Data Acquisition Solutions

Type	500 kSPS	≥ 1000 kSPS
16-Bit	ADAQ7988	ADAQ7980, ADAQ4001
18-bit		ADAQ4003

TABLE OF CONTENTS

Features.....	1	Ease of Drive Features.....	24
Applications.....	1	Voltage Reference Input	26
Functional Block Diagram.....	1	Power Supply (Power Tree).....	26
General Description.....	1	Power-Down Mode.....	26
Specifications.....	3	Digital Interface.....	26
Timing Specifications.....	7	Register Read and Write Functionality.....	27
Absolute Maximum Ratings.....	9	Status Word.....	29
Thermal Resistance.....	9	3-Wire $\overline{\text{CS}}$ Turbo Mode.....	30
Electrostatic Discharge (ESD) Ratings.....	9	3-Wire $\overline{\text{CS}}$ Mode Without the Busy Indicator....	31
ESD Caution.....	9	3-Wire $\overline{\text{CS}}$ Mode with the Busy Indicator.....	32
Pin Configuration and Function Descriptions.....	10	4-Wire $\overline{\text{CS}}$ Turbo Mode.....	33
Typical Performance Characteristics.....	12	4-Wire $\overline{\text{CS}}$ Mode Without the Busy Indicator....	34
Terminology.....	18	4-Wire $\overline{\text{CS}}$ Mode with the Busy Indicator.....	35
Theory of Operation.....	20	Daisy-Chain Mode	36
Circuit Information	20	Layout Guidelines.....	37
Transfer Functions.....	20	Outline Dimensions.....	38
Applications Information.....	21	Ordering Guide.....	38
Typical Application Diagrams.....	21	Evaluation Boards.....	38
Analog Inputs.....	24		

REVISION HISTORY**2/2022—Rev. 0 to Rev. A**

Changes to Transition Noise Parameter, Table 2.....	3
Changes to Thermal Resistance Section and Table 7.....	9
Changes to Figure 5, Figure 6, Figure 8, and Figure 9.....	12
Changes to Figure 28.....	15
Changes to Figure 38.....	17
Changes to Power-Down Mode Section.....	26

5/2021—Revision 0: Initial Version

SPECIFICATIONS

VDD = 1.8 V ± 5%, VS+ = 5.5 V ± 5%, VS- = 0 V, VIO = 1.7 V to 5.5 V, reference voltage (V_{REF}) = 5 V, sampling frequency (f_S) = 2 MSPS, all specifications T_{MIN} to T_{MAX} , high-Z mode disabled, span compression disabled, and turbo mode enabled, unless otherwise noted. ADC driver configured in single-ended to differential configuration and normal mode, unless otherwise noted.

Table 2.

Parameter	Test Conditions/Comments	Min	Typ	Max	Unit
RESOLUTION		16			Bit
ANALOG INPUTS	IN+, IN-, R1K1+, R1K1-, R1K+, and R1K-				
Input Impedance (Z_{IN})	Single-ended to differential configuration G = 0.454, input voltage (V_{IN}) = 22 V p-p G = 0.909, V_{IN} = 11 V p-p G = 1, V_{IN} = 10 V p-p G = 1.9, V_{IN} = 5.2 V p-p		1.3 1.44 1.33 778		k Ω k Ω k Ω Ω
Differential Input Voltage Ranges ¹	Fully differential configuration G = 0.454 and G = 0.909, V_{IN} = 22 V p-p and 11 V p-p G = 1, V_{IN} = 10 V p-p G = 1.9, V_{IN} = 5.2 V p-p		1.1 1 523		k Ω k Ω Ω
	G = 0.454, V_{IN} = 22 V p-p	$-2.2 \times V_{REF}$		$+2.2 \times V_{REF}$	V
	G = 0.909, V_{IN} = 11 V p-p	$-1.1 \times V_{REF}$		$+1.1 \times V_{REF}$	V
	G = 1, V_{IN} = 10 V p-p	$-V_{REF}$		$+V_{REF}$	V
	G = 1.9, V_{IN} = 5.2 V p-p	$-0.526 \times V_{REF}$		$+0.526 \times V_{REF}$	V
Input Capacitance	IN+ and IN-		15		pF
THROUGHPUT					
Complete Cycle		500			ns
Conversion Time			290	320	ns
Acquisition Phase ²		290			ns
Throughput Rate ³		0		2	MSPS
Transient Response ⁴			40		μ s
DC ACCURACY	Single-ended to differential configuration				
No Missing Codes		16			Bits
Integral Nonlinearity Error (INL)	All gains, VS- = -1 V	-11.9 -0.78	± 4.6 ± 0.3	+11.9 +0.78	ppm LSB ⁵
Differential Nonlinearity Error (DNL)	All gains, VS- = -1 V	-9.56 -0.63	± 3.8 ± 0.25	+9.56 +0.63	ppm LSB ⁵
Transition Noise	G = 0.454 G = 0.909 G = 1 G = 1.9		0.37 0.41 0.4 0.4		LSB LSB LSB LSB
Gain Error	All gains	-0.05	± 0.005	+0.05	% FS
Gain Error Drift	All gains	-3	± 0.5	+3	ppm/ $^{\circ}$ C
Offset Error	G = 0.454 G = 0.909, G = 1 G = 1.9	-1 -0.9 -1.5	± 0.1 ± 0.06 ± 0.01	+1 +0.9 +1.5	mV mV mV
Offset Error Drift	G = 0.454 G = 0.909 and G = 1 G = 1.9	-8 -10 -15	+0.7 +1.6 +2.6	+8 +10 +15	ppm/ $^{\circ}$ C ppm/ $^{\circ}$ C ppm/ $^{\circ}$ C
Common-Mode Rejection Ratio (CMRR)	Fully differential configuration, all gains		90		dB
Power Supply Rejection Ratio (PSRR)					
Positive	VDD = 1.71 V to 1.89 V		72		dB
	VS+ = 5.225 V to 5.775 V, VS- = 0 V		110		dB

SPECIFICATIONS

Table 2.

Parameter	Test Conditions/Comments	Min	Typ	Max	Unit
Negative 1/f Noise ⁶	VS+ = +5.5 V, VS- = 0 V to -0.5 V Referred to input, bandwidth = 0.1 Hz to 10 Hz, normalized to 0 V, all gains		107 2		dB $\mu\text{V p-p}$
Input Current Noise	Input frequency (f_{IN}) = 100 kHz		1		$\text{pA}/\sqrt{\text{Hz}}$
AC ACCURACY	Single-ended to differential and fully differential configuration				
Dynamic Range	All gains, -60 dBFS G = 0.454 G = 0.909 G = 1 G = 1.9	93.0	95.8 95 95.3 95.2		dB dB dB dB dB
Oversampled Dynamic Range	Oversampling ratio (OSR) = 2, all gains OSR = 256, all gains		99 118		dB dB
Total RMS Noise (Referred to Output (RTO))	G = 0.454 G = 0.909 G = 1 G = 1.9		57 63.2 60.9 61.3		$\mu\text{V rms}$ $\mu\text{V rms}$ $\mu\text{V rms}$ $\mu\text{V rms}$
Noise Spectral Density ⁷	G = 0.454 G = 0.909 G = 1 G = 1.9		21.7 24 23.2 23.3		$\text{nV}/\sqrt{\text{Hz}}$ $\text{nV}/\sqrt{\text{Hz}}$ $\text{nV}/\sqrt{\text{Hz}}$ $\text{nV}/\sqrt{\text{Hz}}$
Signal-to-Noise Ratio (SNR)	$f_{IN} = 1 \text{ kHz}$, -0.5 dBFS G = 0.454 G = 0.909 G = 1 G = 1.9 $f_{IN} = 100 \text{ kHz}$, G = 0.909 $f_{IN} = 400 \text{ kHz}$, G = 0.909 Low power mode enabled, G = 0.909	92.7	95.6 94.3 95.3 94.9 94.3 87.7 94.5		dB dB dB dB dB dB dB
Signal-to-Noise + Distortion (SINAD)	VS+ = 3.3 V, VS- = 0 V, $V_{REF} = 2.5 \text{ V}$, G = 0.909 $f_{IN} = 1 \text{ kHz}$, -0.5 dBFS G = 0.454 G = 0.909 G = 1 G = 1.9 $f_{IN} = 100 \text{ kHz}$, G = 0.909 $f_{IN} = 400 \text{ kHz}$, G = 0.909 Low power mode enabled, G = 0.909	92.5	91.5 95.6 94.2 95.3 94.8 93.8 85.6 94.4		dB dB dB dB dB dB dB dB
Total Harmonic Distortion (THD)	VS+ = 3.3 V, VS- = 0 V, $V_{REF} = 2.5 \text{ V}$, G = 0.909 $f_{IN} = 1 \text{ kHz}$, -0.5 dBFS, all gains $f_{IN} = 100 \text{ kHz}$, G = 0.909 $f_{IN} = 400 \text{ kHz}$, G = 0.909 Low power mode enabled, G = 0.909		91.4 -120 -100 -95 -110		dB dB dB dB dB
Spurious-Free Dynamic Range (SFDR)	VS+ = 3.3 V, VS- = 0 V, $V_{REF} = 2.5 \text{ V}$, G = 0.909 $f_{IN} = 1 \text{ kHz}$, -0.5 dBFS, all gains $f_{IN} = 100 \text{ kHz}$, G = 0.909 $f_{IN} = 400 \text{ kHz}$, G = 0.909 Low power mode enabled, G = 0.909 VS+ = 3.3 V, VS- = 0 V, $V_{REF} = 2.5 \text{ V}$, G = 0.909		-118 122 101 95 110 118		dB dB dB dB dB dB

SPECIFICATIONS

Table 2.

Parameter	Test Conditions/Comments	Min	Typ	Max	Unit
-3 dB Input Bandwidth			4.4		MHz
Aperture Delay			1		ns
Aperture Jitter			1		ps rms
REFERENCE					
V _{REF} Range	Buffer enabled	2.4		5.1 or VS+ - 0.08	V
Input Current (I _{REF})	Buffer enabled		60		μA
REF_OUT Current (I _{REF_OUT})	Buffer disabled, 2 MSPS, V _{REF} = 5 V		1.27		mA
VCMO					
VCMO Voltage (V _{VCMO}) ⁸		V _{REF} /2 - 0.003	V _{REF} /2	V _{REF} /2 + 0.003	V
Output Impedance			5		kΩ
DIGITAL INPUTS					
SDI, SCK, and CNV					
Logic Levels					
Input Low Voltage (V _{IL})	V _{IO} > 2.7 V	-0.3		+0.3 × V _{IO}	V
	V _{IO} ≤ 2.7 V	-0.3		+0.2 × V _{IO}	V
Input High Voltage (V _{IH})	V _{IO} > 2.7 V	0.7 × V _{IO}		V _{IO} + 0.3	V
	V _{IO} ≤ 2.7 V	0.8 × V _{IO}		V _{IO} + 0.3	V
Input Low Current (I _{IL})		-1		+1	μA
Input High Current (I _{IH})		-1		+1	μA
Input Pin Capacitance			6		pF
DIGITAL OUTPUTS ⁹					
Data Format			Twos complement		
Output Low Voltage (V _{OL})	Sink current (I _{SINK}) = +500 μA			0.4	V
Output High Voltage (V _{OH})	Source current (I _{SOURCE}) = -500 μA	V _{IO} - 0.3			V
POWER-DOWN MODE					
FDA and Reference Buffer					
PD_REF, PD_AMP					
Low	Powered down, low power mode		<1		V
High	Enabled, normal mode		>1.7		V
Turn-On Time	All devices enabled				
	Low to high ¹⁰		120		μs
	High ¹¹		1		μs
POWER REQUIREMENTS					
VDD		1.71	1.8	1.89	V
VS+		3	5.5	VS- + 10	V
VS-		VS+ - 10	0	0.1	V
VIO		1.7		5.5	V
Total Standby Current ^{12, 13}	Static, all devices enabled				
	Normal mode		11	14	mA
	Low power mode		6.5	8.3	mA
Power-Down Current	ADC driver, reference buffer disabled		100	250	μA
Power Dissipation					
VDD = VIO = 1.8 V, VS+ = 5.5 V, VS- = 0 V					
Normal Mode					
VS+			41.5	51.5	mW
VDD			9.5	12.0	mW
VIO			0.6	0.7	mW
Total			51.6	64.2	mW
High-Z mode enabled					
VS+			44.0	53.0	mW

SPECIFICATIONS

Table 2.

Parameter	Test Conditions/Comments	Min	Typ	Max	Unit
VDD			12.8	16.5	mW
VIO			0.6	0.7	mW
Total			57.4	70.2	mW
Low Power Mode					
VS+			30.2	37.4	mW
VDD			9.5	12.0	mW
VIO			0.5	0.6	mW
Total			40.2	50.0	mW
	High-Z mode enabled				
VS+			31.4	37.8	mW
VDD			12.7	16.4	mW
VIO			0.5	0.6	mW
Total			44.6	54.8	mW
TEMPERATURE RANGE					
Specified Performance	T _{MIN} to T _{MAX}	-40		+125	°C

- ¹ V_{IN} must be within the allowed input common-mode range as per [Figure 35](#), [Figure 36](#), and [Figure 37](#) and is dependent on the VS+ and VS- supply rails used.
- ² The acquisition phase is the time available for the input sampling capacitors to acquire a new input with the ADC running at a throughput rate of 2 MSPS.
- ³ A throughput rate of 2 MSPS can only be achieved with turbo mode enabled and a minimum SCK rate of 70 MHz. Refer to [Table 5](#) for the maximum achievable throughput for different modes of operation.
- ⁴ Transient response is the time required for the ADAQ4001 to acquire a full-scale input step to ±1 LSB accuracy.
- ⁵ The weight of the LSB, referred to input, changes depending on the input voltage range. See [Table 10](#) for the LSB size.
- ⁶ See the 1/f noise plot in [Figure 28](#).
- ⁷ Noise Spectral Density for each gain can be calculated using the equation: Total RMS Noise (RTO)/√(π/2 × bandwidth), where bandwidth is the -3 dB Input Bandwidth equal to 4.4 MHz.
- ⁸ The VCMO voltage can be used for other circuitry, but it should be driven with a buffer to ensure the VCMO voltage remains stable as per the specified range.
- ⁹ There is no pipeline delay. Conversion results are available immediately after a conversion is completed.
- ¹⁰ The time it takes for a reference buffer to charge a 10 μF reference capacitor to 90% of the reference voltage.
- ¹¹ The time it takes for the FDA to charge the 1 nF filter capacitor to 90% of the final value.
- ¹² With all digital inputs forced to VIO or GND as required.
- ¹³ The total standby current during the acquisition phase.

SPECIFICATIONS

TIMING SPECIFICATIONS

VDD = 1.8 V ± 5%, VS+ = 5.5 V ± 5%, VS- = 0 V, VIO = 1.71 V to 5.5V, VREF = 5 V, fS = 2 MSPS, all specifications TMIN to TMAX, high-Z mode disabled, span compression disabled, and turbo mode enabled, unless otherwise noted.

Table 3. Digital Interface Timing

Parameter	Symbol	Min	Typ	Max	Unit
Conversion Time—CNV Rising Edge to Data Available	tCONV		290	320	ns
Acquisition Phase ¹	tACQ	290			ns
Time Between Conversions	tCYC	500			ns
CNV Pulse Width ($\overline{\text{CS}}$ Mode) ²	tCNVH	10			ns
SCK Period ($\overline{\text{CS}}$ Mode) ³	tSCK				
VIO > 2.7 V		9.8			ns
VIO > 1.7 V		12.3			ns
SCK Period (Daisy-Chain Mode) ⁴	tSCK				
VIO > 2.7 V		20			ns
VIO > 1.7 V		25			ns
SCK Low Time	tSCKL	3			ns
SCK High Time	tSCKH	3			ns
SCK Falling Edge to Data Remains Valid Delay	tHSDO	1.5			ns
SCK Falling Edge to Data Valid Delay	tDSDO				
VIO > 2.7 V				7.5	ns
VIO > 1.7 V				10.5	ns
CNV or SDI Low to SDO D15 MSB Valid Delay ($\overline{\text{CS}}$ Mode)	tEN				
VIO > 2.7 V				10	ns
VIO > 1.7 V				13	ns
CNV Rising Edge to First SCK Rising Edge Delay	tQUIET1	190			ns
Last SCK Falling Edge to CNV Rising Edge Delay	tQUIET2	60			ns
CNV or SDI High or Last SCK Falling Edge to SDO High Impedance ($\overline{\text{CS}}$ Mode)	tDIS			20	ns
SDI Valid Setup Time from CNV Rising Edge	tSSDICNV	2			ns
SDI Valid Hold Time from CNV Rising Edge ($\overline{\text{CS}}$ Mode)	tHSDICNV	2			ns
SCK Valid Hold Time from CNV Rising Edge (Daisy-Chain Mode)	tHSCKCNV	12			ns
SDI Valid Setup Time from SCK Rising Edge (Daisy-Chain Mode)	tSSDISCK	2			ns
SDI Valid Hold Time from SCK Rising Edge (Daisy-Chain Mode)	tHSDISCK	2			ns

¹ The acquisition phase is the time available for the input sampling capacitors to acquire a new input with the ADC running at a throughput rate of 2 MSPS.

² For turbo mode, tCNVH must match the tQUIET1 minimum.

³ A throughput rate of 2 MSPS can only be achieved with turbo mode enabled and a minimum SCK rate of 70 MHz.

⁴ A 50% duty cycle is assumed for SCK.

SPECIFICATIONS

Table 4. Register Read and Write Timing

Parameter	Symbol	Min	Typ	Max	Unit
READ AND WRITE OPERATION					
CNV Pulse Width ¹	t_{CNVH}	10			ns
SCK Period	t_{SCK}				
VIO > 2.7 V		9.8			ns
VIO > 1.7 V		12.3			ns
SCK Low Time	t_{SCKL}	3			ns
SCK High Time	t_{SCKH}	3			ns
READ OPERATION					
CNV Low to SDO D15 MSB Valid Delay	t_{EN}			10	ns
VIO > 2.7 V				13	ns
VIO > 1.7 V					
SCK Falling Edge to Data Remains Valid	t_{HSDO}	1.5			ns
SCK Falling Edge to Data Valid Delay	t_{DSDO}			7.5	ns
VIO > 2.7 V				10.5	ns
VIO > 1.7 V					
CNV Rising Edge to SDO High Impedance	t_{DIS}			20	ns
WRITE OPERATION					
SDI Valid Setup Time from SCK Rising Edge	$t_{SSDISCK}$	2			ns
SDI Valid Hold Time from SCK Rising Edge	$t_{HSDISCK}$	2			ns
CNV Rising Edge to SCK Edge Hold Time	$t_{HCNVSCK}$	0			ns
CNV Falling Edge to SCK Active Edge Setup Time	$t_{SCNVSCK}$	6			ns

¹ For turbo mode, t_{CNVH} must match the t_{QUIET1} minimum.

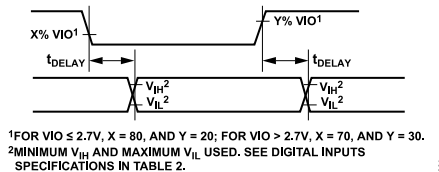


Figure 2. Voltage Levels for Timing

Table 5. Achievable Throughput for Different Modes of Operation

Parameter	Test Conditions/Comments	Min	Typ	Max	Unit
THROUGHPUT, CS MODE					
3-Wire and 4-Wire Turbo Mode	SCK frequency (f_{SCK}) = 100 MHz, VIO ≥ 2.7 V			2	MSPS
	f_{SCK} = 80 MHz, VIO < 2.7 V			2	MSPS
3-Wire and 4-Wire Turbo Mode and Six Status Bits	f_{SCK} = 100 MHz, VIO ≥ 2.7 V			2	MSPS
	f_{SCK} = 80 MHz, VIO < 2.7 V			1.86	MSPS
3-Wire and 4-Wire Mode	f_{SCK} = 100 MHz, VIO ≥ 2.7 V			1.82	MSPS
	f_{SCK} = 80 MHz, VIO < 2.7 V			1.69	MSPS
3-Wire and 4-Wire Mode and Six Status Bits	f_{SCK} = 100 MHz, VIO ≥ 2.7 V			1.64	MSPS
	f_{SCK} = 80 MHz, VIO < 2.7 V			1.5	MSPS

ABSOLUTE MAXIMUM RATINGS

Table 6.

Parameter	Rating
Analog Inputs	
R1K+, R1K-, R1K1+, R1K1- to GND	-16 V to +16 V or ± 18 mA
Supply Voltage	
REF_OUT and VIO to GND	-0.3 V to +6.0 V
VDD to GND	-0.3 V to +2.1 V
VDD to VIO	-6 V to +2.4 V
VS+ to VS-	11 V
VS+ to GND	-0.3 V to +11 V
VS- to GND	-11 V to +0.3 V
Digital Inputs to GND	-0.3 V to VIO +0.3 V
Digital Outputs to GND	-0.3 V to VIO +0.3 V
Temperature	
Storage Range	-65°C to +150°C
Junction	150°C
Lead Soldering	260°C reflow as per JEDEC J-STD-020

Stresses at or above those listed under Absolute Maximum Ratings may cause permanent damage to the product. This is a stress rating only; functional operation of the product at these or any other conditions above those indicated in the operational section of this specification is not implied. Operation beyond the maximum operating conditions for extended periods may affect product reliability.

THERMAL RESISTANCE

Thermal performance is directly linked to PCB design and operating environment. Careful attention to PCB thermal design is required.

Table 7. Thermal Resistance

Package							
Type ¹	θ_{JA}	θ_{JC_TOP}	θ_{JC_BOTTOM}	θ_{JB}	Ψ_{JT}	Ψ_{JB}	Unit
BC-49-5	53.5	54.9	58.7	28.8	15.6	28.6	°C/W

¹ Test Condition 1: thermal impedance simulated values are based upon use of a 2S2P JEDEC standard PCB configuration per JEDEC Standard JESD51-7.

ELECTROSTATIC DISCHARGE (ESD) RATINGS

The following ESD information is provided for handling of ESD-sensitive devices in an ESD protected area only.

Human body model (HBM) per ANSI/ESDA/JEDEC JS-001.

Field induced charged device model (FICDM) per ANSI/ESDA/JEDEC JS-002.

ESD Ratings for ADAQ4001

Table 8. ADAQ4001, 49-Ball CSP_BGA

ESD Model	Withstand Threshold (V)	Class
HBM	4000	2
FICDM	1000	C4

ESD CAUTION



ESD (electrostatic discharge) sensitive device. Charged devices and circuit boards can discharge without detection. Although this product features patented or proprietary protection circuitry, damage may occur on devices subjected to high energy ESD. Therefore, proper ESD precautions should be taken to avoid performance degradation or loss of functionality.

PIN CONFIGURATION AND FUNCTION DESCRIPTIONS

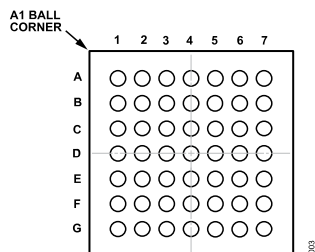


Figure 3. Pin Configuration, Top View

	1	2	3	4	5	6	7
A	GND	VDD	OUT+	VS-	REF_OUT	REF	GND
B	R1K-	R1K-	OUT+	VS-	GND	VIO	VIO
C	R1K1-	R1K1-	VS-	VS-	DNC	$\overline{\text{PD_AMP}}$	SDI
D	IN-	IN+	DNC	DNC	DNC	$\overline{\text{PD_REF}}$	SCK
E	R1K1+	R1K1+	MODE	VS+	ADCIN+	GND	SDO
F	R1K+	R1K+	OUT-	VS+	DNC	DNC	CNV
G	GND	VCMO	OUT-	VS+	VS+	ADCIN-	GND

NOTES
1. DNC = DO NOT CONNECT. DO NOT CONNECT TO THIS PIN.

Figure 4. Pin Configuration

Table 9. Pin Function Descriptions

Pin No.	Mnemonic	Type ¹	Description
A1, A7, B5, E6, G1, G7	GND	P	Power Supply Ground.
A2	VDD	P	1.8 V Power Supply. The VDD range is 1.71 V to 1.89 V.
A3, B3	OUT+	AO	Positive Output of the Fully Differential ADC Driver.
A4, B4, C3, C4	VS-	P	Negative Supply of the Fully Differential ADC Driver.
A5	REF_OUT	AO	Reference Buffer Output Voltage.
A6	REF	AI	Reference Buffer Input Voltage.
B1, B2	R1K-	AI	1 k Ω Resistor Input to Negative Input of the Fully Differential ADC Driver.
B6, B7	VIO	P	Input and Output Interface Digital Power. Nominally, the VIO pins are at the same supply as the host interface (1.8 V, 2.5 V, 3 V, or 5 V).
C1, C2	R1K1-	AI	1.1 k Ω Resistor Input to Negative Input of the Fully Differential ADC Driver.
C5, D3 to D5, F5, F6	DNC	N/A	Do Not Connect. Do not connect to this pin.
C6	$\overline{\text{PD_AMP}}$	DI	Power-Down Amplifier. Active low. Connect the $\overline{\text{PD_AMP}}$ pin to GND to power down the fully differential ADC driver. Otherwise, connect the $\overline{\text{PD_AMP}}$ pin to logic high.
C7	SDI	DI	Serial Data Input. This input provides multiple features. SDI selects the interface mode of the ADC as follows: Daisy-chain mode is selected if SDI is low during the CNV rising edge. In this mode, SDI is used as a data input to daisy-chain the conversion results of two or more ADCs onto a single SDO line. The digital data level on SDI is output on SDO with a delay of 16 SCK cycles. $\overline{\text{CS}}$ mode is selected if SDI is high during the CNV rising edge. In this mode, either SDI or CNV can enable the serial output signals when low. If SDI or CNV is low when the conversion is complete, the busy indicator feature is enabled. With CNV low, the device can be programmed by clocking in a 16-bit word on SDI on the rising edge of SCK.
D1	IN-	AI	Negative Input of the Fully Differential ADC Driver.
D2	IN+	AI	Positive Input of the Fully Differential ADC Driver.
D6	$\overline{\text{PD_REF}}$	DI	Power-Down Reference Buffer. Active low. Connect the $\overline{\text{PD_REF}}$ pin to GND to power down the reference buffer. Otherwise, connect the $\overline{\text{PD_REF}}$ pin to logic high.
D7	SCK	DI	Serial Data Clock Input. When the device is selected, the conversion result is shifted out by this clock.
E1, E2	R1K1+	AI	1.1 k Ω Resistor Input to Positive Input of the Fully Differential ADC Driver.
E3	MODE	DI	Power Mode for the Fully Differential ADC Driver. Full performance when the MODE pin is high, and low power mode when the MODE pin is low.
E4, F4, G4, G5	VS+	P	Fully Differential ADC Driver and Reference Buffer Positive Supply.
E5	ADCIN+	AO	Positive Input to the ADC. Extra capacitance can be added on the ADCIN+ pin to reduce the RC filter bandwidth.
E7	SDO	DO	Serial Data Output. The conversion result is output on the SDO pin. SDO synchronizes to SCK.
F1, F2	R1K+	AI	1 k Ω Resistor Input to Positive Input of the Fully Differential ADC Driver.

PIN CONFIGURATION AND FUNCTION DESCRIPTIONS

Table 9. Pin Function Descriptions

Pin No.	Mnemonic	Type ¹	Description
F3, G3	OUT-	AO	Negative Output of the Fully Differential ADC Driver.
F7	CNV	DI	Convert Input. This input has multiple functions. On its leading edge, CNV initiates the conversions and selects the interface mode of the device: daisy-chain mode or CS mode. In CS mode, the SDO pin is enabled when CNV is low. In daisy-chain mode, the data is read when CNV is high.
G2	VCMO	AO	Fully Differential ADC Driver Output Common-Mode Voltage. Nominally, $V_{REF}/2$.
G6	ADCIN-	AO	Negative Input to the ADC. Extra capacitance can be added on the ADCIN- pin to reduce the RC filter bandwidth.

¹ P is power, AO is analog output, AI is analog input, N/A is not applicable, DI is digital input, and DO is digital output.

TYPICAL PERFORMANCE CHARACTERISTICS

VS+ = 5.5 V, VS- = 0 V, VDD = 1.8 V, VIO = 3.3 V, VREF = 5 V, TA = 25°C, high-Z mode disabled, span compression disabled, turbo mode enabled, and fS = 2 MSPS, unless otherwise noted.

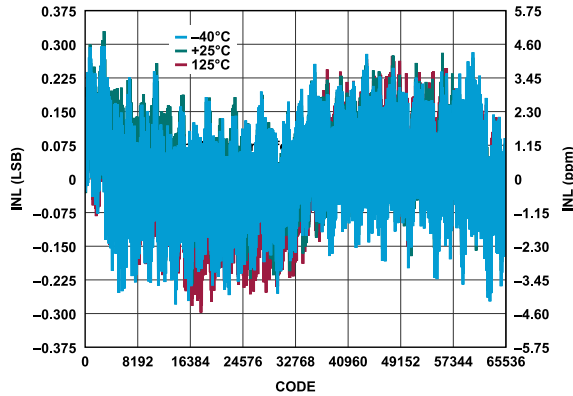


Figure 5. INL vs. Code for Various Temperatures, VREF = 5 V, G = 0.454

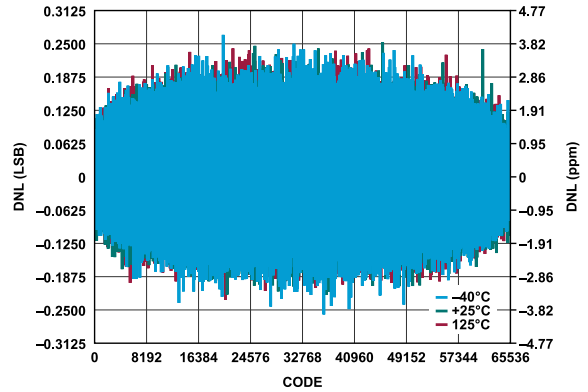


Figure 8. DNL vs. Code for Various Temperatures, VREF = 5 V, G = 0.454

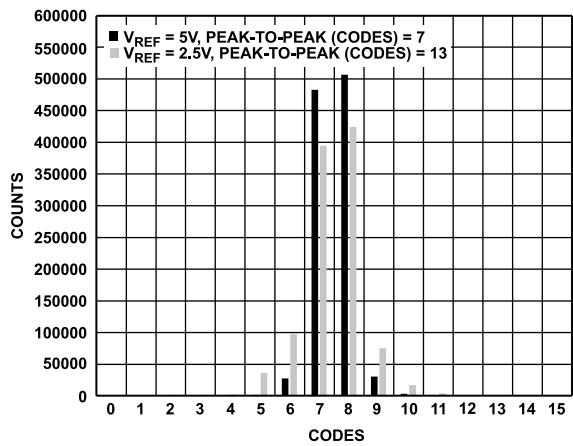


Figure 6. Histogram of a DC Input at the Code Transition, VREF = 2.5 V and VREF = 5 V

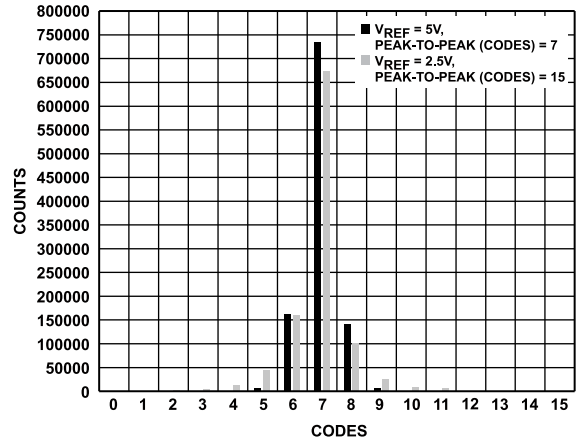


Figure 9. Histogram of a DC Input at the Code Center, VREF = 2.5 V and VREF = 5 V

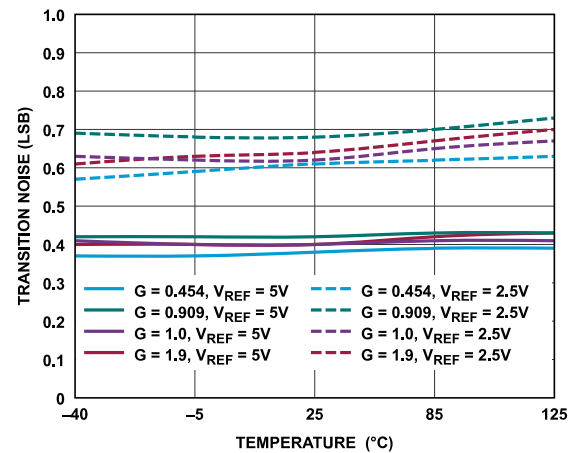


Figure 7. Transition Noise vs. Temperature for G = 0.454, G = 0.909, G = 1, and G = 1.9 and VREF = 5 V and VREF = 2.5 V

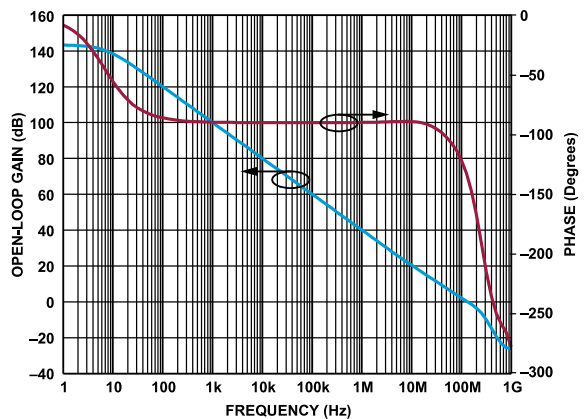


Figure 10. ADC Driver Open-Loop Gain and Phase vs. Frequency

TYPICAL PERFORMANCE CHARACTERISTICS

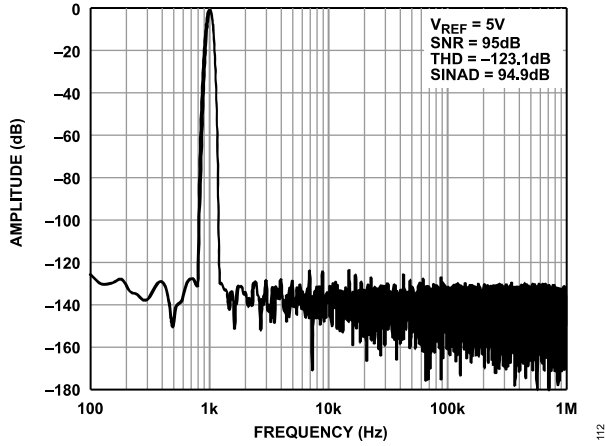


Figure 11. 1 kHz, -0.5 dBFS Input Tone Fast Fourier Transform (FFT), Wide View, $G = 1, V_{REF} = 5 V$, Differential

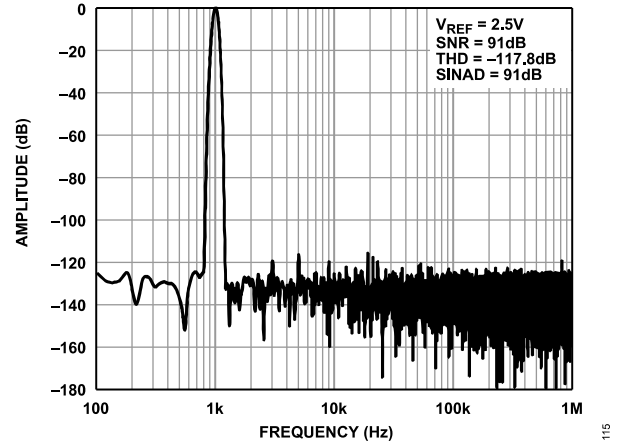


Figure 14. 1 kHz, -0.5 dBFS Input Tone FFT, Wide View, $G = 1, V_{REF} = 2.5 V$, Differential

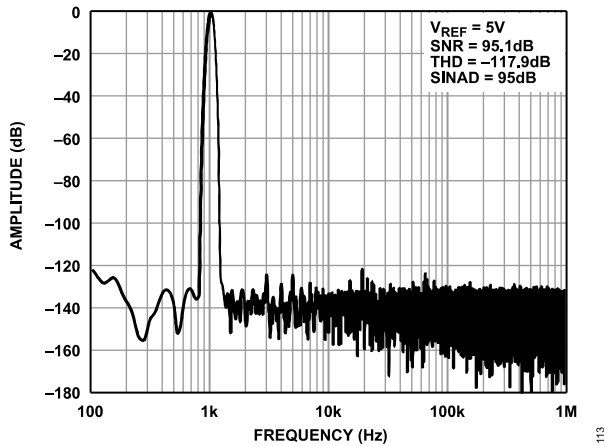


Figure 12. 1 kHz, -0.5 dBFS Input Tone FFT, Wide View, $G = 1, V_{REF} = 5 V$, Single-Ended

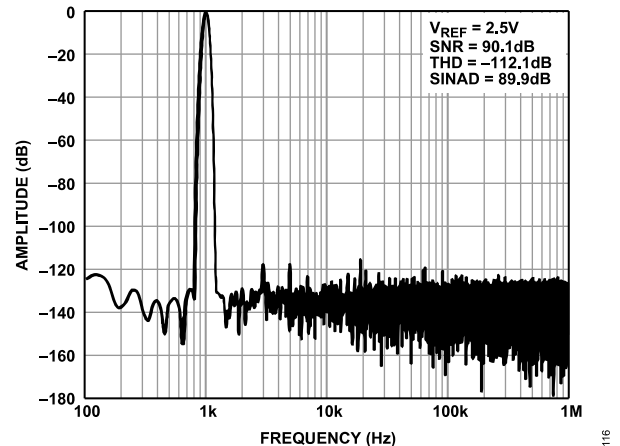


Figure 15. 1 kHz, -0.5 dBFS Input Tone FFT, Wide View, $G = 1, V_{REF} = 2.5 V$, Single-Ended

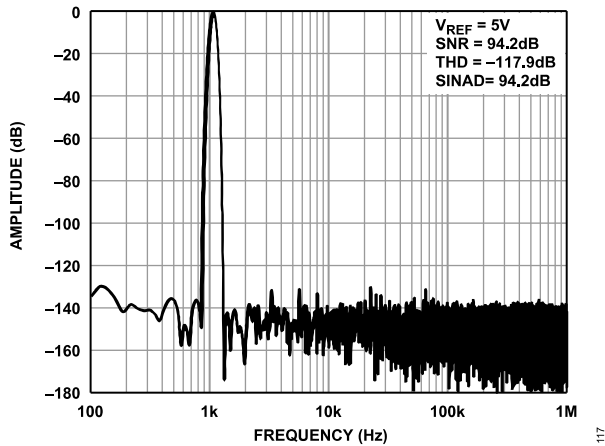


Figure 13. 1 kHz, -0.5 dBFS Input Tone FFT, Wide View, Differential, $G = 0.909, V_{REF} = 5 V$, Low Power Mode

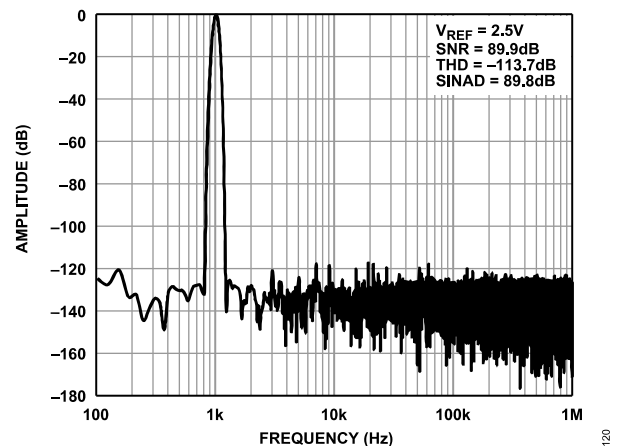


Figure 16. 1 kHz, -0.5 dBFS Input Tone FFT, Wide View, Differential, $G = 0.909, V_{REF} = 2.5 V$, Low Power Mode

TYPICAL PERFORMANCE CHARACTERISTICS

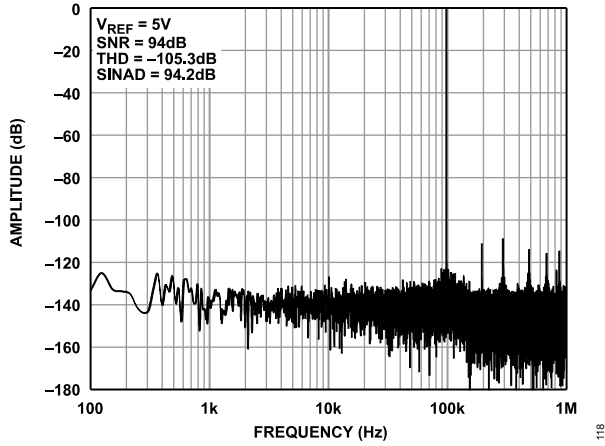


Figure 17. 100 kHz, -0.5 dBFS Input Tone FFT, Wide View, $G = 1$, $V_{REF} = 5 V$

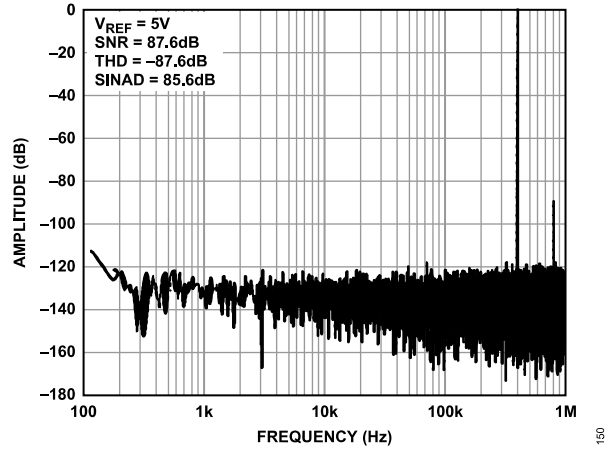


Figure 20. 400 kHz, -0.5 dBFS Input Tone FFT, $G = 1$, Wide View, $V_{REF} = 5 V$

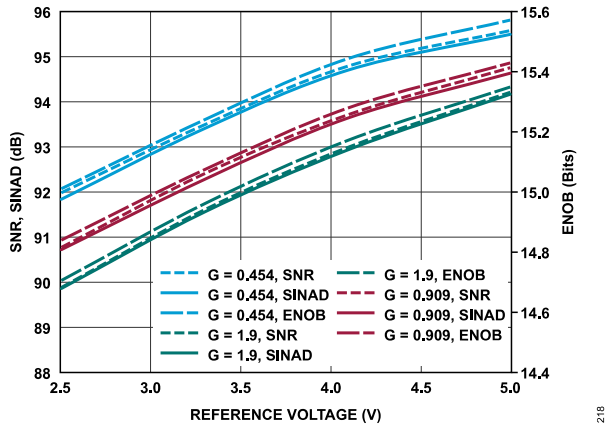


Figure 18. SNR, SINAD, and Effective Number of Bits (ENOB) vs. Reference Voltage for $G = 0.454$, $G = 0.909$, and $G = 1.9$, $f_{IN} = 1 \text{ kHz}$

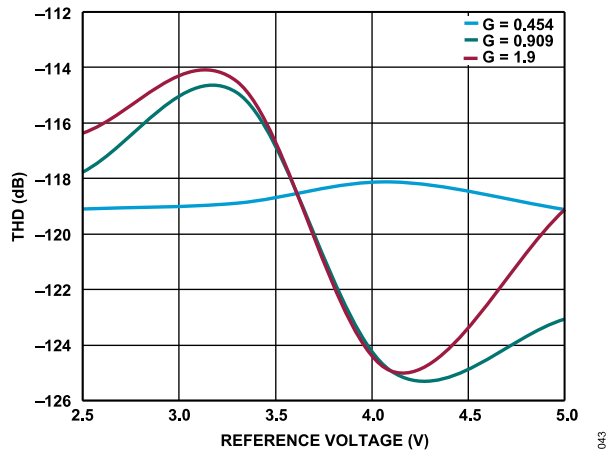


Figure 21. THD vs. Reference Voltage, $G = 0.454$, $G = 0.909$, and $G = 1.9$, $f_{IN} = 1 \text{ kHz}$

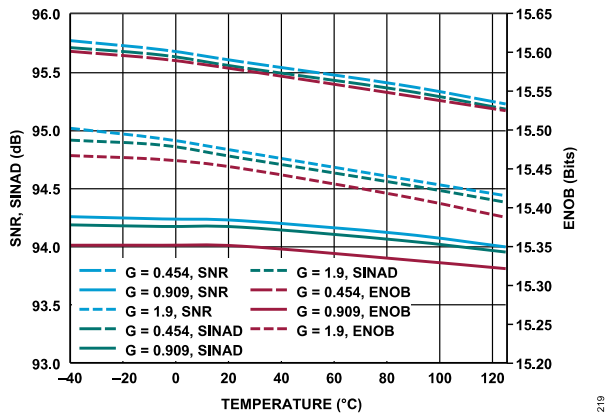


Figure 19. SNR, SINAD, and ENOB vs. Temperature, $G = 1.9$, $G = 0.909$, and $G = 0.454$, $f_{IN} = 1 \text{ kHz}$

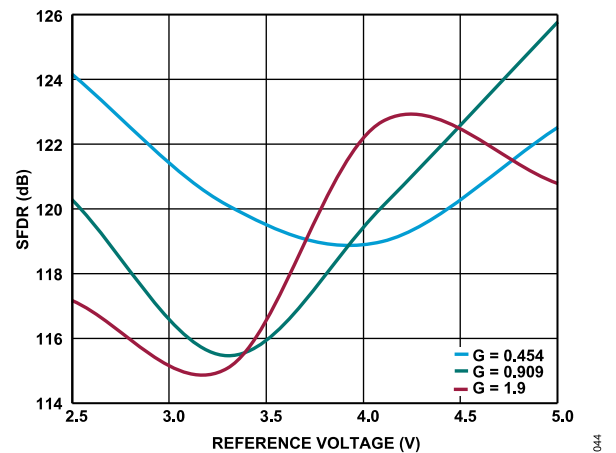


Figure 22. SFDR vs. Reference Voltage for $G = 0.454$, $G = 0.909$, and $G = 1.9$, $f_{IN} = 1 \text{ kHz}$

TYPICAL PERFORMANCE CHARACTERISTICS

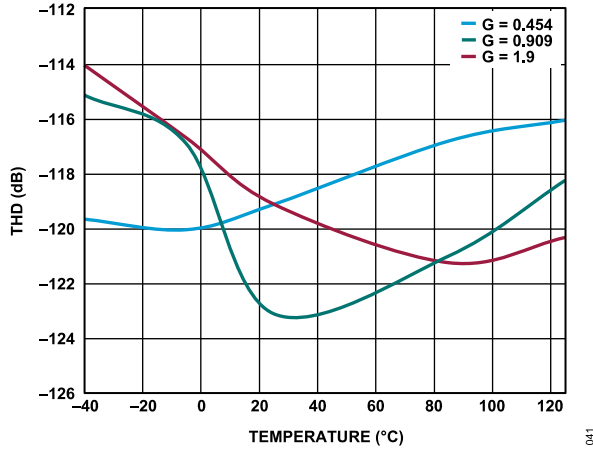


Figure 23. THD vs. Temperature for G = 0.454, G = 0.909, and G = 1.9, $f_{IN} = 1 \text{ kHz}$

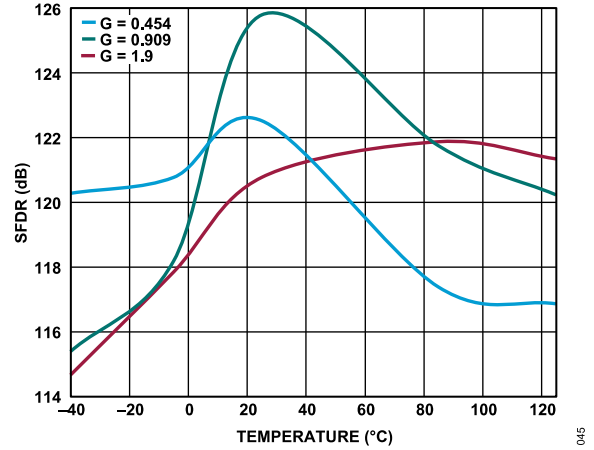


Figure 26. SFDR vs. Temperature for G = 0.454, G = 0.909, and G = 1.9, $f_{IN} = 1 \text{ kHz}$

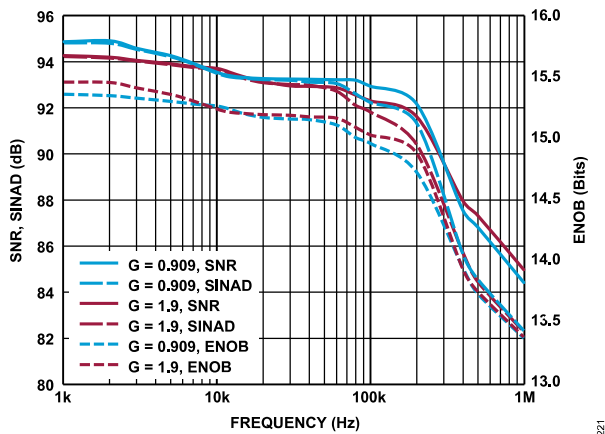


Figure 24. SNR, SINAD, and ENOB vs. Frequency for G = 1.9 and G = 0.909, $V_{REF} = 5 \text{ V}$

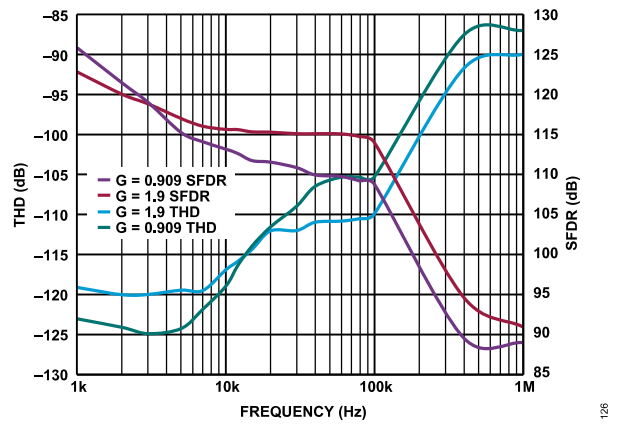


Figure 27. THD and SFDR vs. Frequency for G = 0.909 and G = 1.9, $V_{REF} = 5 \text{ V}$

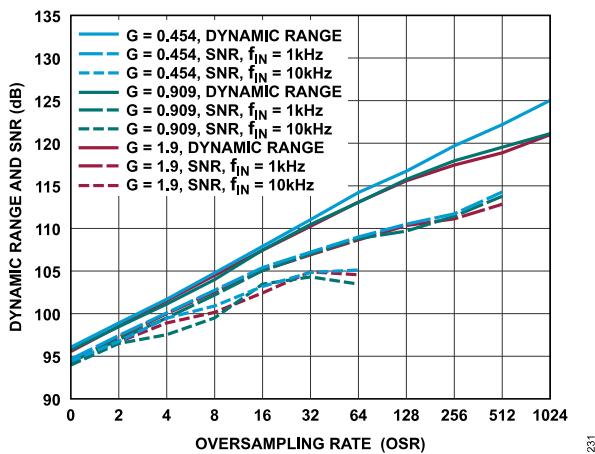


Figure 25. Dynamic Range and SNR vs. Oversampling Rate for G = 0.454, G = 0.909, and G = 1.9, and for Input Frequencies, 2 MSPS

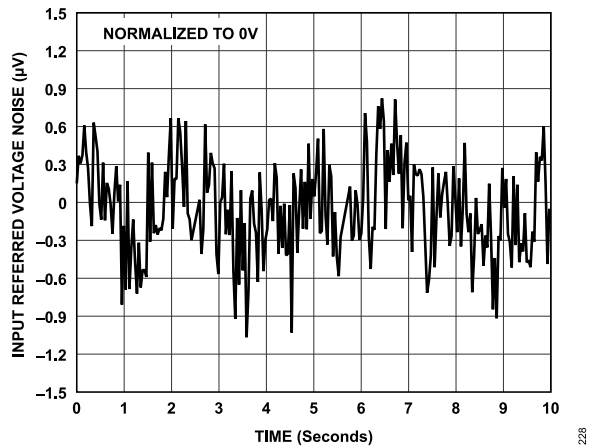


Figure 28. Voltage Noise for 0.1 Hz to 10 Hz Bandwidth, 100 kSPS, 250 Samples Averaged per Reading

TYPICAL PERFORMANCE CHARACTERISTICS

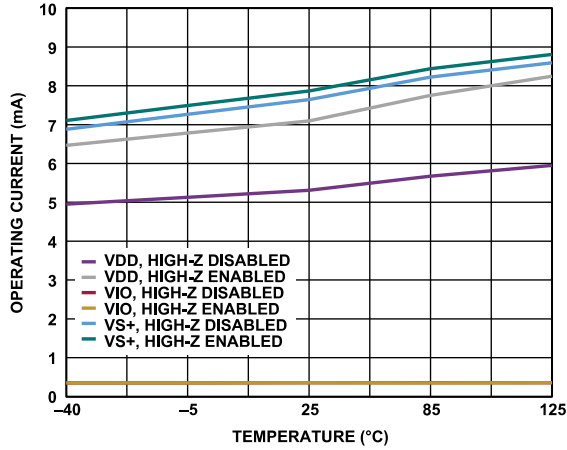


Figure 29. Operating Current vs. Temperature, 2 MS/PS

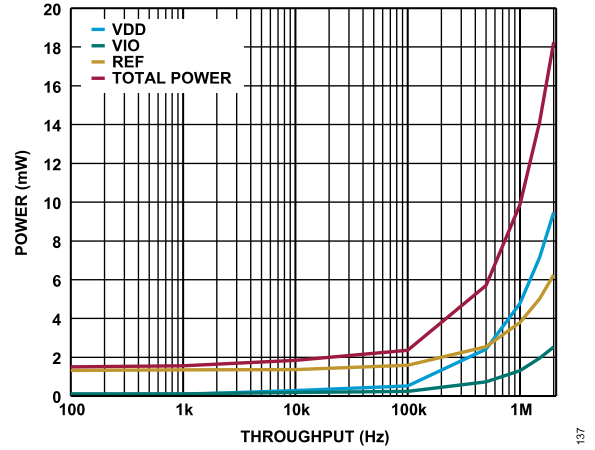


Figure 32. Power vs. Throughput

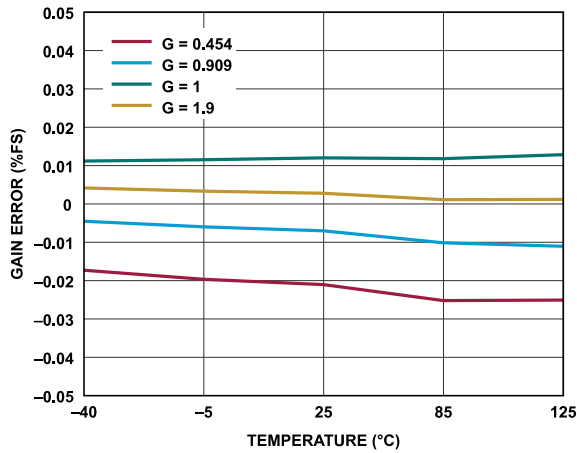


Figure 30. Gain Error vs. Temperature, $V_{REF} = 5.0V$, Normal Mode

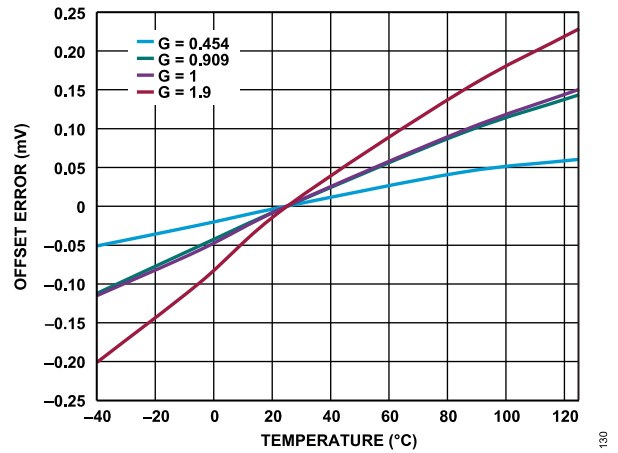


Figure 33. Offset Error vs. Temperature for $G = 0.454$, $G = 0.909$, $G = 1$, and $G = 1.9$

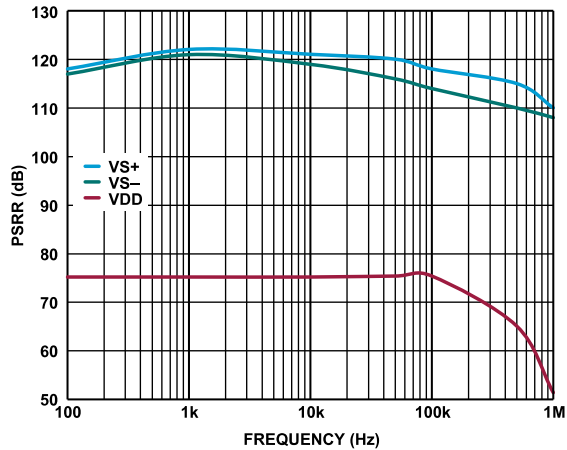


Figure 31. PSRR vs. Frequency

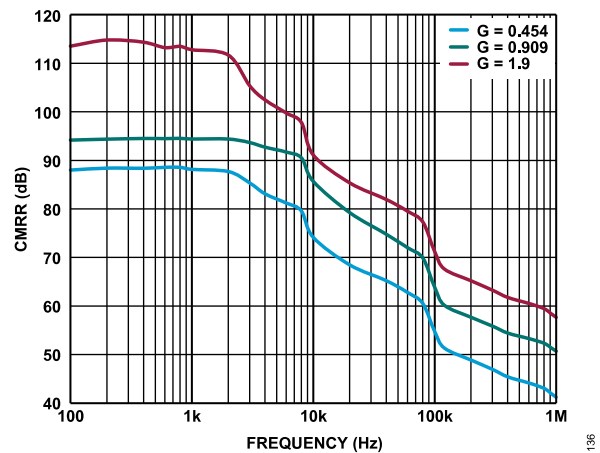


Figure 34. CMRR vs. Frequency for $G = 0.454$, $G = 0.909$, and $G = 1.9$

TYPICAL PERFORMANCE CHARACTERISTICS

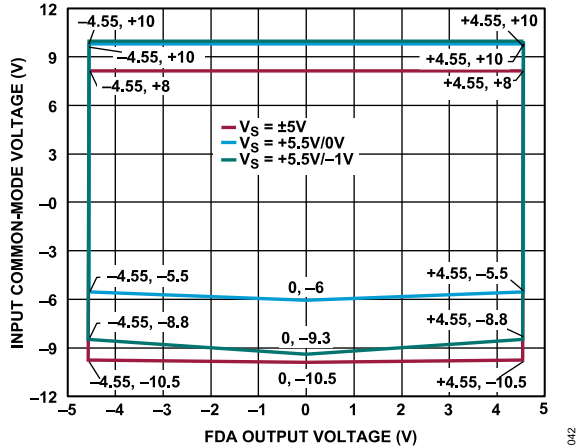


Figure 35. Input Common-Mode Voltage vs. FDA Output Voltage, $G = 0.454$, Differential Input

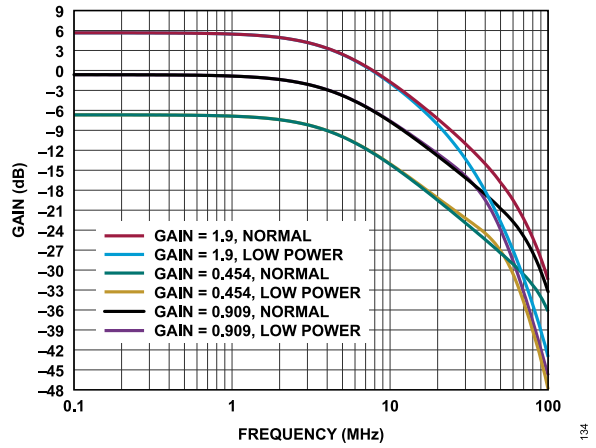


Figure 38. Small Signal Frequency Response for $G = 1.9$, $G = 0.454$, and $G = 0.909$ at Normal and Low Power Mode

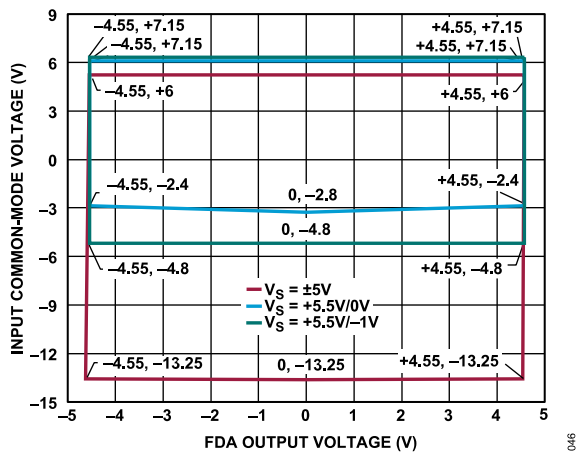


Figure 36. Input Common-Mode Voltage vs. FDA Output Voltage, $G = 0.909$, Differential Input

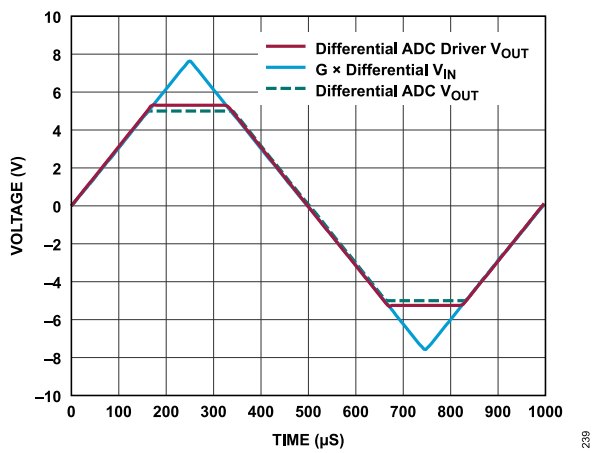


Figure 39. Output Drive Recovery, $f_{IN} = 1 \text{ kHz}$

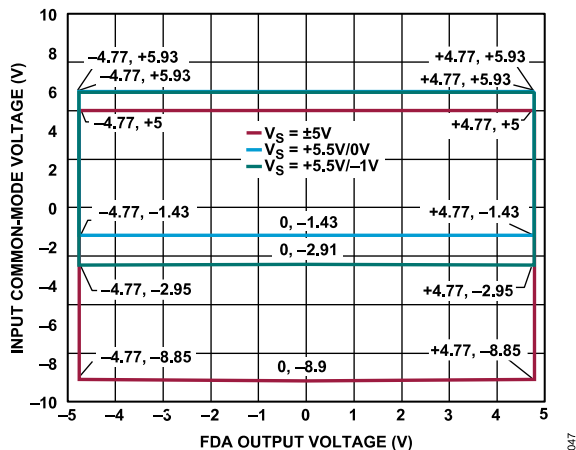


Figure 37. Input Common-Mode Voltage vs. FDA Output Voltage, $G = 1.9$, Differential Input

TERMINOLOGY

Integral Nonlinearity (INL) Error

INL error is the deviation of each individual code from a line drawn from negative full scale through positive full scale. The point used as negative full scale occurs $\frac{1}{2}$ LSB before the first code transition. Positive full scale is defined as a level $1\frac{1}{2}$ LSB beyond the last code transition. The deviation is measured from the middle of each code to the true straight line (see [Figure 40](#)).

Differential Nonlinearity (DNL) Error

In an ideal ADC, code transitions are 1 LSB apart. DNL is the maximum deviation from this ideal value. DNL error is often specified in terms of resolution for which no missing codes are guaranteed.

Offset Error

The first transition occurs at a level $\frac{1}{2}$ LSB above analog ground. Offset error is the difference between the ideal midscale input voltage (0 V) and the actual voltage producing the midscale output code.

Offset Error Drift

Offset error drift is the ratio of the offset error change due to a temperature change of 1°C and the full-scale code range. Offset error drift is expressed in parts per million per degree Celsius as follows:

$$\text{Offset Error Drift (ppm/}^{\circ}\text{C)} = 10^6 \times (\text{Offset Error}_{T_{MAX}} - \text{Offset Error}_{T_{MIN}}) / (T_{MAX} - T_{MIN}) \quad (1)$$

where:

$$\begin{aligned} T_{MAX} &= 125^{\circ}\text{C}. \\ T_{MIN} &= -40^{\circ}\text{C}. \end{aligned}$$

Gain Error

The first transition occurs at a level $\frac{1}{2}$ LSB above nominal negative full scale and the last transition occurs for an analog voltage $1\frac{1}{2}$ LSB below the nominal full scale. The gain error is the deviation of the difference between the actual level of the last transition and the actual level of the first transition from the ideal levels after the offset error is removed. Gain error is expressed as a percentage as follows:

$$\text{Gain Error (\%)} = 100 \times ((PFS - NFS)_{ACTUAL_CODE} - (PFS - NFS)_{IDEAL_CODE}) / (PFS - NFS)_{IDEAL_CODE} \quad (2)$$

where:

PFS is the positive full scale.
NFS is the negative full scale.

Gain Error Drift

Gain error drift is the ratio of the gain error change due to a temperature change of 1°C and the full-scale range. Gain error drift is expressed in parts per million per degree Celsius as follows:

$$\text{Gain Error Drift (ppm/}^{\circ}\text{C)} = 10^6 \times (\text{Gain Error}_{T_{MAX}} - \text{Gain Error}_{T_{MIN}}) / (T_{MAX} - T_{MIN}) \quad (3)$$

where:

$$\begin{aligned} T_{MAX} &= 125^{\circ}\text{C}. \\ T_{MIN} &= -40^{\circ}\text{C}. \end{aligned}$$

Spurious-Free Dynamic Range (SFDR)

SFDR is the difference, in decibels (dB), between the rms amplitude of the input signal and the peak spurious signal, including harmonics.

Effective Number of Bits (ENOB)

ENOB is a measurement of the resolution with a sine wave input. ENOB is related to SINAD as follows:

$$\text{ENOB} = (\text{SINAD}_{dB} - 1.76) / 6.02 \quad (4)$$

ENOB is expressed in bits.

Total Harmonic Distortion (THD)

THD is the ratio of the rms sum of the first five harmonic components to the rms value of a full-scale input signal and is expressed in decibels.

Dynamic Range

Dynamic range is the ratio of the rms value of the full scale to the total rms noise measured. The value for dynamic range is expressed in decibels. Dynamic range is measured with a signal at -60 dBFS so that the range includes all noise sources and DNL artifacts.

Signal-to-Noise Ratio (SNR)

SNR is the ratio of the rms value of the actual input signal to the rms sum of all other spectral components below the Nyquist frequency, excluding harmonics and dc. The value for SNR is expressed in decibels.

Signal-to-Noise-and-Distortion Ratio (SINAD)

SINAD is the ratio of the rms value of the actual input signal to the rms sum of all other spectral components that are less than the Nyquist frequency, including harmonics but excluding dc. The value of SINAD is expressed in decibels.

Aperture Delay

Aperture delay is the measure of the acquisition performance and is the time between the rising edge of the CNV input and when the input signal is held for a conversion.

TERMINOLOGY

Transient Response

Transient response is the time required for the ADC to acquire a full-scale input step to ± 1 LSB accuracy.

Common-Mode Rejection Ratio (CMRR)

CMRR is the ratio of the power in the μ Module output at the frequency, f , to the power of a 1.3 V p-p sine wave applied to the input common-mode voltage of f .

$$CMRR \text{ (dB)} = 10\log(P_{\mu\text{Module_IN}}/P_{\mu\text{Module_OUT}}) \quad (5)$$

where:

$P_{\mu\text{Module_IN}}$ is the common-mode power at f applied to the inputs.

$P_{\mu\text{Module_OUT}}$ is the power at f in the μ Module output.

Power Supply Rejection Ratio (PSRR)

PSRR is the ratio of the power in the μ Module output at f to the power of a 500 mV p-p sine wave applied to the VDD and VS+ supply voltage centered at 5 V and 100 mV p-p for a VS- supply voltage centered at -1 V of f .

$$PSRR \text{ (dB)} = 10\log(P_{\mu\text{Module_IN}}/P_{\mu\text{Module_OUT}})$$

where:

$P_{\mu\text{Module_IN}}$ is the power at f at each of the VDD, VS+, and VS- supply pins.

$P_{\mu\text{Module_OUT}}$ is the power at f in the μ Module output.

THEORY OF OPERATION

CIRCUIT INFORMATION

The ADAQ4001 SiP is a fast, precision DAQ signal chain that uses SAR architecture. As shown in Figure 1, the ADAQ4001 μ Module DAQ solution contains a high bandwidth, fully differential ADC driver, a low noise reference buffer, and a 16-bit SAR ADC, along with the critical precision passive components required to achieve optimized performance with pin-selectable gain options of 0.454, 0.909, 1, or 1.9. All active components in the circuit, including μ Passives thin film resistors with $\pm 0.005\%$ matching, are designed by Analog Devices and are factory calibrated to achieve a high degree of specified accuracy and minimize temperature dependent error sources.

The ADAQ4001 is capable of converting 2,000,000 samples per second (2 MSPS). The ADAQ4001 has a valid first conversion after being powered down for long periods that can reduce power consumed in applications where the ADC does not convert constantly.

The ADAQ4001 offers a significant reduction in form factor and total cost of ownership compared to traditional discrete signal chains from a selection of individual components, PCB size, and manufacturing perspective, while still providing the flexibility to adapt to a wide array of applications.

The ADAQ4001 incorporates a fully differential, high speed ADC driver with integrated precision resistors. The precision resistors can be pin strapped to achieve different gains for the fully differential ADC driver, which allows the user to match the input signal range. The fully differential ADC driver can be used in a differential manner or to perform a single-ended to differential conversion for a single-ended input.

Table 10. Output Codes and Ideal Input Voltages

Description	Analog Inputs		Digital Output Code ¹ (Twos Complement, Hex)
	Span Compression Disabled	Span Compression Enabled	
FSR - 1 LSB	$(32,767 \times V_{REF}) / (32,768 \times G)$	$(32,767 \times 0.8 \times V_{REF}) / (32,768 \times G)$	0x7FFF ²
Midscale + 1 LSB	$V_{REF} / (32,768 \times G)$	$0.8 \times V_{REF} / (32,768 \times G)$	0x0001
Midscale	0 V	0 V	0x0000
Midscale - 1 LSB	$-V_{REF} / (32,768 \times G)$	$-0.8 \times V_{REF} / (32,768 \times G)$	0xFFFF
-FSR + 1 LSB	$-(32,767 \times V_{REF}) / (32,768 \times G)$	$-(32,767 \times 0.8 \times V_{REF}) / (32,768 \times G)$	0x8001
-FSR	$-V_{REF} \times G$	$-0.8 \times V_{REF} \times G$	0x8000 ³

¹ This output code assumes that the negative input, IN⁻, of the ADC driver is being driven.

² This output code is also the code for an overranged analog input (IN⁺ - IN⁻ above V_{REF} with the span compression disabled and above $0.8 \times V_{REF}$ with the span compression enabled).

³ This output code is also the code for an underranged analog input (IN⁺ - IN⁻ below $-V_{REF}$ with the span compression disabled and below $0.8 \times -V_{REF}$ with the span compression enabled).

The fast conversion time of the ADAQ4001, along with turbo mode, allows low clock rates to read back conversions, even when the ADAQ4001 is running at its maximum throughput rate. Note that for the ADAQ4001, the full throughput rate of 2 MSPS can be achieved only with turbo mode enabled. Because the ADAQ4001 has on-board conversion clocks, the serial clock (SCK) is not required for the conversion process.

The ADAQ4001 interfaces to any 1.8 V to 5 V digital logic family. The device is housed in a 7 mm \times 7 mm, 0.80 mm pitch, 49-ball CSP_BGA that provides significant space savings and allows flexible configurations.

TRANSFER FUNCTIONS

The ideal transfer characteristics for the ADAQ4001 are shown in Figure 40 and Table 10.

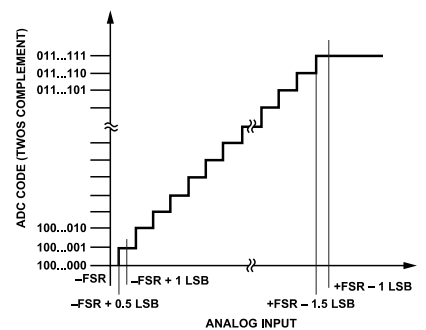


Figure 40. ADC Ideal Transfer Function (FSR Is Full-Scale Range)

APPLICATIONS INFORMATION

TYPICAL APPLICATION DIAGRAMS

Figure 41 through Figure 48 show the recommended connection diagrams for the ADAQ4001 when applying a single-ended and differential input signal for four different gain options with respect to the ground reference. Table 11 shows how the input signal should be applied for a given gain or input range option.

Table 11. Gain Configuration and Input Range

Gain	Input Range	Input Signal on Pins	Test Conditions
0.454	± 11 V	R1K1-, R1K1+	Leave the IN- and IN+ pins floating. Connect the OUT+ to R1K- pins and OUT- to R1K+ pins together. See Figure 41 and Figure 45.
0.909	± 5.5 V	R1K1-, R1K1+	Leave the IN-, IN+, R1K-, and R1K+ pins floating. See Figure 42 and Figure 46.
1	± 5 V	R1K-, R1K+	Leave the IN-, IN+, R1K1-, and R1K1+ pins floating. See Figure 43 and Figure 47.
1.9	± 2.6 V	R1K-/R1K1-, R1K+/R1K1+	Leave the IN- and IN+ pins floating. Connect the R1K- to R1K1- pins and R1K+ to R1K1+ pins together. See Figure 44 and Figure 48.

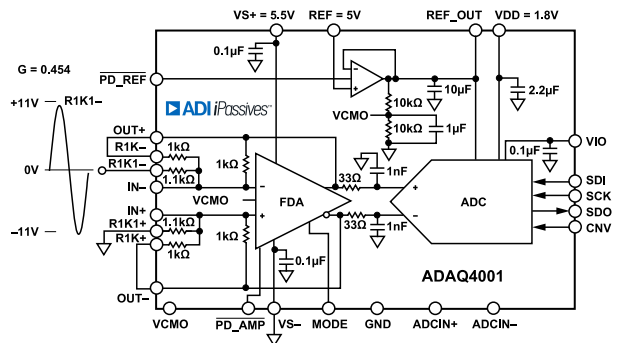


Figure 41. Single-Ended to Differential Configuration with G = 0.454

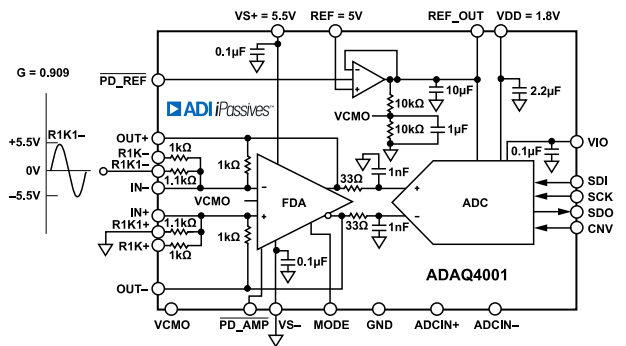


Figure 42. Single-Ended to Differential Configuration with G = 0.909

APPLICATIONS INFORMATION

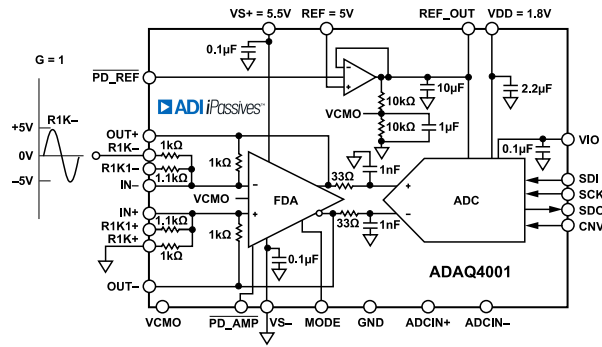


Figure 43. Single-Ended to Differential Configuration with $G = 1$

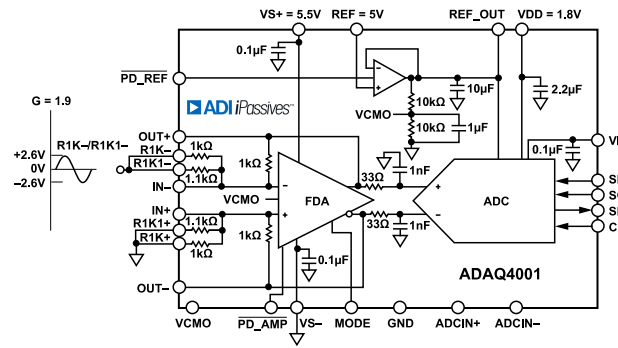


Figure 44. Single-Ended to Differential Configuration with $G = 1.9$

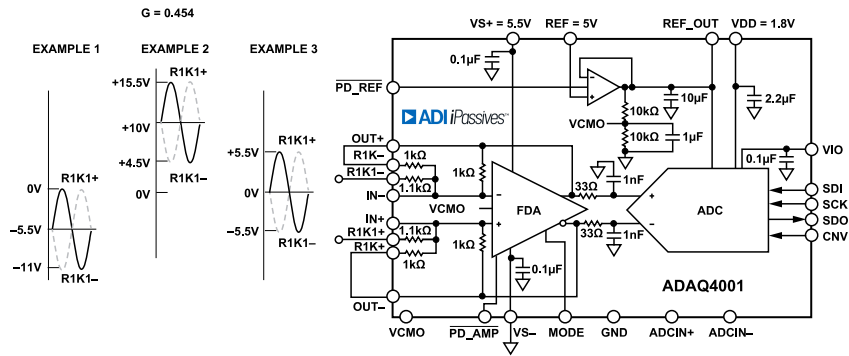


Figure 45. Differential Configuration with $G = 0.454$

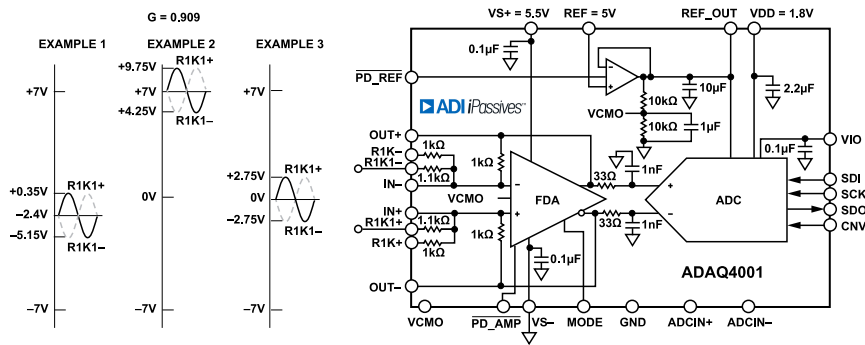


Figure 46. Differential Configuration with $G = 0.909$

APPLICATIONS INFORMATION

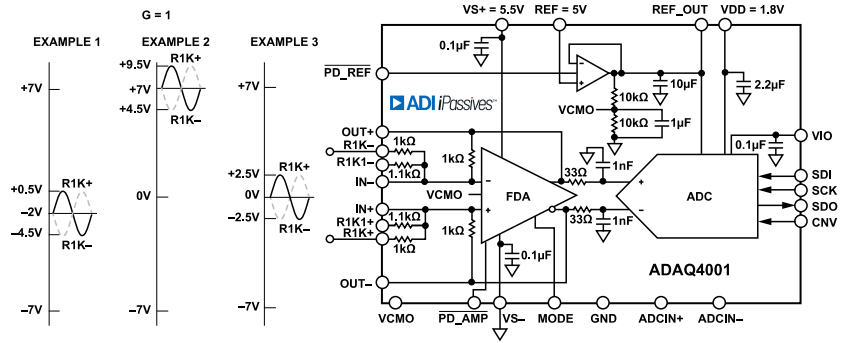


Figure 47. Differential Configuration with G = 1

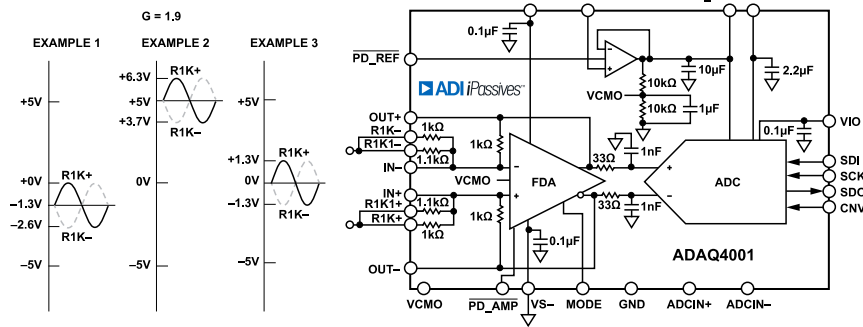


Figure 48. Differential Configuration with G = 1.9

APPLICATIONS INFORMATION

ANALOG INPUTS

High Frequency Input Signals

Figure 24 and Figure 27 show the ADAQ4001 ac performance over a wide input frequency range using a 5 V reference voltage. The ADAQ4001 maintains exceptional ac performance for input frequencies up to the Nyquist frequency with minimal performance degradation.

EASE OF DRIVE FEATURES

Input Span Compression

The ADAQ4001 includes a span compression feature that increases the headroom and foot room available to the ADC driver by reducing the input range by 10% from the top and bottom of the range while still accessing all available ADC codes. The SNR decreases by approximately 1.9 dB ($20 \times \log(8/10)$) for the reduced input range when span compression is enabled. Span compression is disabled by default but can be enabled by writing to the relevant register bit (see the Digital Interface section).

ADC High-Z Mode

The ADAQ4001 incorporates ADC high-Z mode, which reduces the nonlinear charge kickback when the capacitor DAC switches back to the input at the start of the acquisition. The ADC high-Z mode is disabled by default but can be enabled by writing to the register (see Table 15). Disable high-Z mode for input frequencies above 100 kHz or when multiplexing.

Driving the ADAQ4001 Using a High Impedance PGIA

The majority of instrumentation and programmable gain instrumentation amplifiers (PGIAs) are single-ended outputs that cannot directly drive the fully differential data acquisition signal chain. However, the LTC6373 PGIA offers fully differential outputs, low noise, low distortion, and high bandwidth. The LTC6373 is dc-coupled on the input and the output with programmable gain settings (using the A2, A1, and A0 pins). These features enable the LTC6373 to drive the ADAQ4001 directly in many signal chain applications without sacrificing precision performance.

In Figure 51, the LTC6373 is used in a differential input to differential output configuration with dual supplies of ± 15 V. The LTC6373 can also be used in a single-ended input to differential

output configuration, if required. The LTC6373 is directly driving the ADAQ4001 with its gain set as 0.454. The V_{OCM} pin of the LTC6373 is connected to ground and its outputs swing between -5.5 V and $+5.5$ V (opposite in phase). The FDA of the ADAQ4001 level shifts the outputs of the LTC6373 to match the desired input common mode of the ADAQ4001 and provides the signal amplitude necessary to utilize the maximum $2 \times V_{REF}$ peak-to-peak differential signal range of the ADC inside the ADAQ4001 μ Module. Figure 49 and Figure 50 show the SNR and THD performance using the various gain settings of the LTC6373 for the circuit configuration shown in Figure 51.

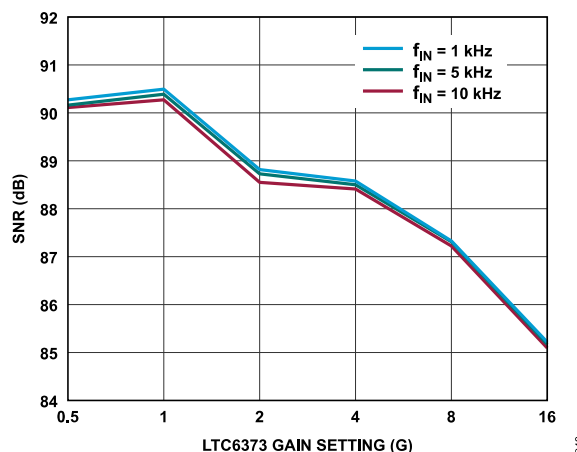


Figure 49. SNR vs. LTC6373 Gain Setting, LTC6373 Driving the ADAQ4001 (Gain = 0.454)

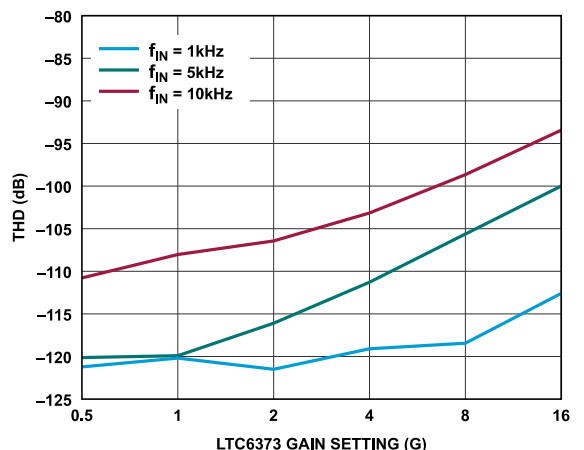


Figure 50. THD vs. LTC6373 Gain Setting, LTC6373 Driving the ADAQ4001 (Gain = 0.454)

APPLICATIONS INFORMATION

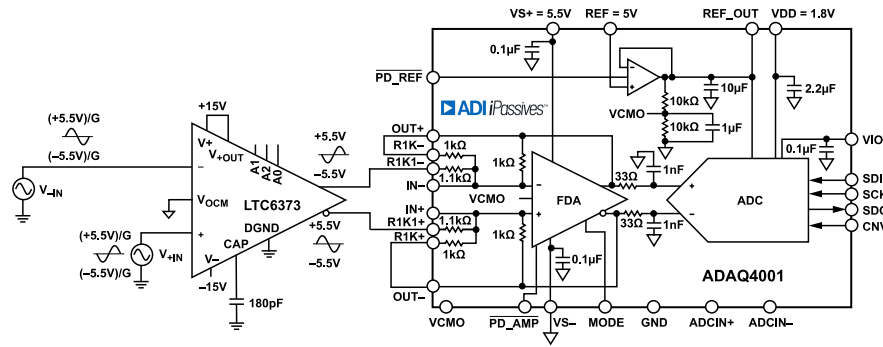


Figure 51. LTC6373 Driving ADAQ4001 (G = 0.454)

APPLICATIONS INFORMATION

VOLTAGE REFERENCE INPUT

The ADAQ4001 voltage reference input (REF) is the noninverting node of the on-board, low noise reference buffer. The reference buffer is included to optimally drive the dynamic input impedance of the SAR ADC reference node.

Also housed in the ADAQ4001 is a 10 μ F decoupling capacitor that is ideally laid out within the device. This decoupling capacitor is a required piece of the SAR architecture. The REF_OUT capacitor is not just a bypass capacitor. This capacitor is part of the SAR ADC that cannot fit simply on the silicon. During the bit decision process, the storage capacitor replenishes the charge of the internal capacitive DAC because the bits are settled in a few tens of nanoseconds or faster. As the binary bit weighted conversion is processed, small chunks of charge are taken from the 10 μ F capacitor. The internal capacitor array is a fraction of the size of the decoupling capacitor, but this large value storage capacitor is required to meet the SAR bit decision settling time. There is no need for an additional lower value ceramic decoupling capacitor (for example, 100 nF) between the REF_OUT and GND pins.

The reference value sets the maximum ADC input voltage that the SAR capacitor array can quantize. The reference buffer is set in the unity-gain configuration. Therefore, the user sets the reference voltage value with the REF pin and observes this value at the REF_OUT pin. The user is responsible for selecting a reference voltage value that is appropriate for the system under design. Allowable reference values range from 2.4 V to 5.1 V. However, do not violate the input common-mode voltage range specification of the reference buffer. With the inclusion of the reference buffer, the user can implement a much lower power reference source than many traditional SAR ADC signal chains because the reference source drives a high impedance node instead of the dynamic load of the SAR capacitor array. Find the root sum square of the reference buffer noise and the reference source noise to arrive at a total noise estimate. Generally, the reference buffer has a noise density much less than that of the reference source.

For the highest performance and lower drift, use a reference like the [ADR4550](#), or use a low power reference like the [ADR3450](#) at the expense of a decrease in the noise performance.

POWER SUPPLY (POWER TREE)

The ADAQ4001 uses four power supply pins: an ADC driver positive supply (VS+) and negative supply (VS-), a core ADC supply (VDD), and a digital input and output interface supply (VIO). VIO allows direct interface with any 1.8 V, 2.5 V, 3 V, or 5 V logic. To reduce the number of supplies needed, VIO and VDD can be tied together for 1.8 V operation. A combination of the [ADP5070](#) (dual, high performance, dc-to-dc switching regulator), the [LT3032](#) (dual, low noise, positive and negative, low dropout voltage linear regulator), and the [LT3023](#) (dual, micropower, low noise, low dropout regulator) can generate independently regulated positive and negative rails for all four power supply pins, including ± 15 V rails for any additional signal conditioning. Refer to the [EVAL-ADAQ4001FMCZ](#)

user guide for more details. The ADAQ4001 is insensitive to power supply variations (PSRR) over a wide frequency range, as shown in [Figure 31](#).

The ADAQ4001 ADC powers down automatically at the end of each conversion phase. Therefore, the power scales linearly with the sampling rate. This feature makes the device ideal for low sampling rates (even a few samples per second) and battery-powered applications. [Figure 32](#) shows the ADAQ4001 total power dissipation and individual power dissipation for each rail.

POWER-DOWN MODE

The power-down mode of the FDA is asserted by applying a low logic level (GND) to the $\overline{\text{PD_AMP}}$ pin to minimize the quiescent current consumed when the ADAQ4001 is not used. When the $\overline{\text{PD_AMP}}$ pin is connected to GND, the FDA output is high impedance. When the $\overline{\text{PD_AMP}}$ pin is connected to a high logic level, the ADAQ4001 operates normally. The logic levels for the $\overline{\text{PD_AMP}}$ pin are determined by VS+. It is not recommended to leave the MODE pin floating.

DIGITAL INTERFACE

Although the ADAQ4001 has a reduced number of pins, the device offers flexibility in its serial interface modes. The ADAQ4001 can also be programmed via 16-bit SPI writes to the configuration registers.

When in $\overline{\text{CS}}$ mode, the ADAQ4001 is compatible with SPI, QSPI™, MICROWIRE®, digital hosts, and digital signal processors (DSPs). In this mode, the ADAQ4001 can use either a 3-wire or 4-wire interface. A 3-wire interface using the CNV, SCK, and SDO signals minimizes wiring connections, which is useful in isolated applications. A 4-wire interface using the SDI, CNV, SCK, and SDO signals allows CNV, which initiates the conversions, to be independent of the readback timing (SDI). This interface is useful in low jitter sampling or simultaneous sampling applications.

The ADAQ4001 provides a daisy-chain feature using SDI for cascading multiple ADCs on a single data line, similar to a shift register.

The mode in which the ADAQ4001 operates depends on the SDI level when the CNV rising edge occurs. $\overline{\text{CS}}$ mode is selected if SDI is high, and daisy-chain mode is selected if SDI is low. The SDI hold time is such that when SDI and CNV are connected together, daisy-chain mode is automatically selected.

In either 3-wire or 4-wire mode, the ADAQ4001 offers the option of forcing a start bit in front of the data bits. This start bit can be used as a busy signal indicator to interrupt the digital host and trigger the data reading. Otherwise, without a busy indicator, the user must time out the maximum conversion time prior to readback.

The busy indicator feature is enabled in $\overline{\text{CS}}$ mode if CNV or SDI is low when the ADC conversion ends.

APPLICATIONS INFORMATION

The state of SDO on power-up is either low or high-Z depending on the states of CNV and SDI (see [Table 12](#)).

Table 12. State of SDO on Power-Up

CNV	SDI	SDO
0	0	Low
0	1	Low
1	0	Low
1	1	High-Z

The ADAQ4001 has a turbo mode capability in both 3-wire and 4-wire mode. Turbo mode is enabled by writing to the configuration register and replaces the busy indicator feature when enabled. Turbo mode allows a slower SPI clock rate, making interfacing simpler. The maximum throughput of 2 MSPS for the ADAQ4001 can be achieved only with turbo mode enabled and a minimum SCK rate of 70 MHz. The SCK rate must be sufficiently fast to ensure the conversion result is clocked out before another conversion initiates. The minimum required SCK rate for an application can be derived based on the sample period (t_{CYC}), the number of bits that must be read (including the data and optional status bits), and the digital interface mode used. Timing diagrams and explanations for each digital interface mode are provided in the digital modes of operation sections (see the [3-Wire CS Turbo Mode](#) section and the [4-Wire CS Mode with the Busy Indicator](#) section).

Status bits can also be clocked out at the end of the conversion data if the status bits are enabled in the configuration register. The six status bits are described in [Table 13](#).

The ADAQ4001 is configured by 16-bit SPI writes to the desired configuration register. The 16-bit word can be written via the SDI line while CNV is held low. The 16-bit word consists of an 8-bit header and 8-bit register data. For isolated systems, the [ADuM141D](#) is recommended, which can support the 70 MHz SCK rate required to run the ADAQ4001 at its full throughput of 2 MSPS.

REGISTER READ AND WRITE FUNCTIONALITY

The ADAQ4001 register bits are programmable, and the default statuses of the bits are detailed in [Table 13](#). The register map is shown in [Table 15](#). The \overline{OV} clamp flag is a read-only sticky bit, and this bit is cleared only if the register is read and the overvoltage condition is no longer present. The \overline{OV} clamp flag indicates the overvoltage condition when this bit is set to 0.

Table 13. Register Bits

Register Bits	Default Status
\overline{OV} Clamp Flag	1 bit, 1 = inactive (default)
Span Compression	1 bit, 0 = disabled (default)
High-Z Mode	1 bit, 0 = disabled (default)
Turbo Mode	1 bit, 0 = disabled (default)
Enable Six Status Bits	1 bit, 0 = disabled (default)

Each access to the register map must start with a write to the 8-bit command register in the SPI block. The ADAQ4001 ignores all 1s until the first 0 is clocked in (represented by \overline{WEN} in [Figure 52](#), [Figure 53](#), and [Table 14](#)). The value loaded into the command register is always 0 followed by seven command bits. This command determines whether that operation is a write or a read. The ADAQ4001 command register is listed in [Table 14](#).

Table 14. Command Register

Bit 7	Bit 6	Bit 5	Bit 4	Bit 3	Bit 2	Bit 1	Bit 0
\overline{WEN}	R/W	0	1	0	1	0	0

All register read and writes must occur while CNV is low. Data on SDI is clocked in on the rising edge of SCK. Data on SDO is clocked out on the falling edge of SCK. At the end of the data transfer, SDO is put in a high impedance state on the rising edge of CNV if daisy-chain mode is not enabled. If daisy-chain mode is enabled, SDO goes low on the rising edge of CNV. Register reads are not allowed in daisy-chain mode.

A register write requires three signal lines: SCK, CNV, and SDI. During a register write to read the current conversion results on SDO, the CNV pin must be brought low after the conversion completes. Otherwise, the conversion results may be incorrect on SDO. However, the register write occurs regardless.

The LSB of each configuration register is reserved because a user reading 16-bit conversion data may be limited to a 16-bit SPI frame. The state of SDI on the last bit in the SDI frame may be the state that persists when CNV rises. Because interface mode is partly set based on the SDI state when CNV rises, in this scenario, the user may need to set the final SDI state.

The timing diagrams in [Figure 52](#) through [Figure 54](#) show how data is read and written when the ADAQ4001 is configured in register read, write, and daisy-chain mode.

APPLICATIONS INFORMATION

Table 15. Register Map

ADDR, Bits[1:0]	Bit 7	Bit 6	Bit 5	Bit 4	Bit 3	Bit 2	Bit 1	Bit 0	Reset
0x0	Reserved	Reserved	Reserved	Enable six status bits	Span compression	High-Z mode	Turbo mode	\overline{OV} clamp flag (read only sticky bit)	0xE1

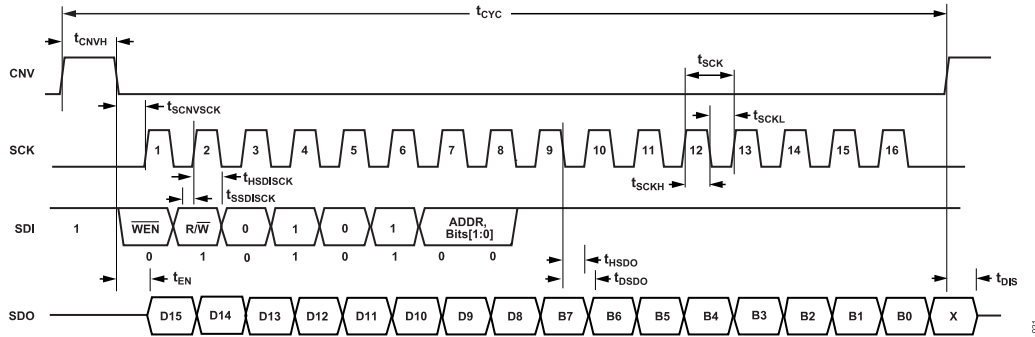


Figure 52. Register Read Timing Diagram

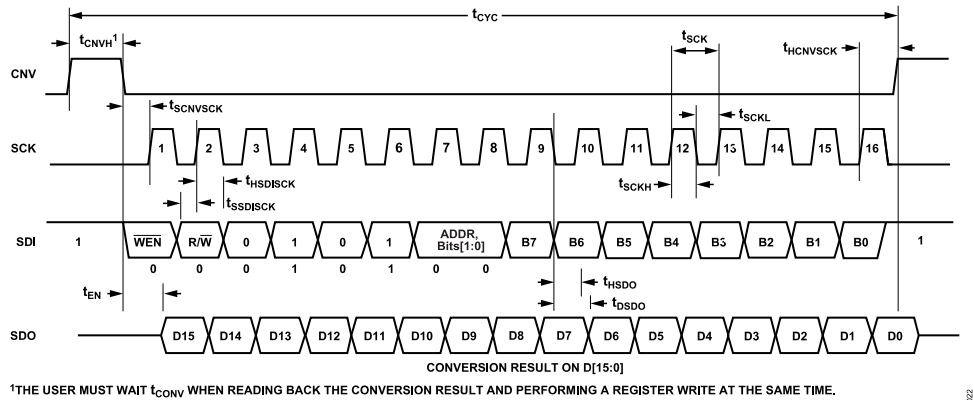


Figure 53. Register Write Timing Diagram

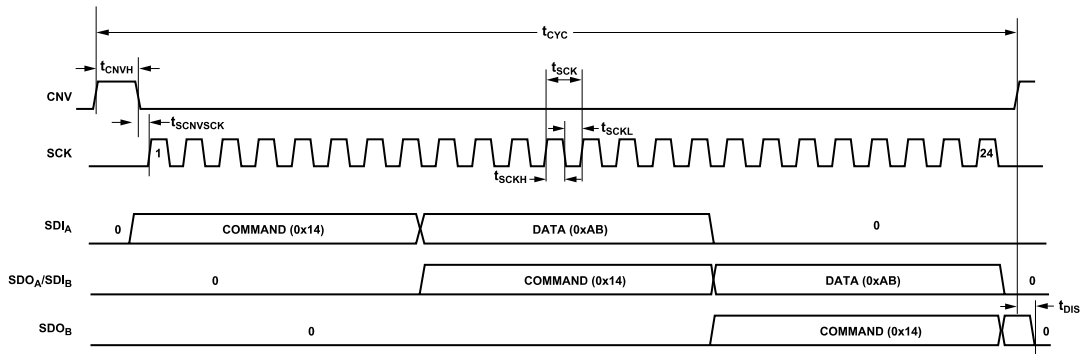


Figure 54. Register Write Timing Diagram, Daisy-Chain Mode

APPLICATIONS INFORMATION

STATUS WORD

The 6-bit status word can be appended to the end of a conversion result, and the default conditions of these bits are shown in Table 16. The status bits must be enabled in the register setting. When the \overline{OV} clamp flag is 0, this bit indicates an overvoltage condition. The \overline{OV} clamp flag status bit updates on a per conversion basis.

The SDO line returns to high impedance after the sixth status bit is clocked out (except in daisy-chain mode). The user is not required to clock out all status bits to start the next conversion. Figure 55 shows the serial interface timing diagram for 3-wire \overline{CS} mode without the busy indicator, including the status bits.

Table 16. Status Bits (Default Conditions)

Bit 5	Bit 4	Bit 3	Bit 2	Bit 1	Bit 0
\overline{OV} clamp flag	Span compression	High-Z mode	Turbo mode	Reserved	Reserved

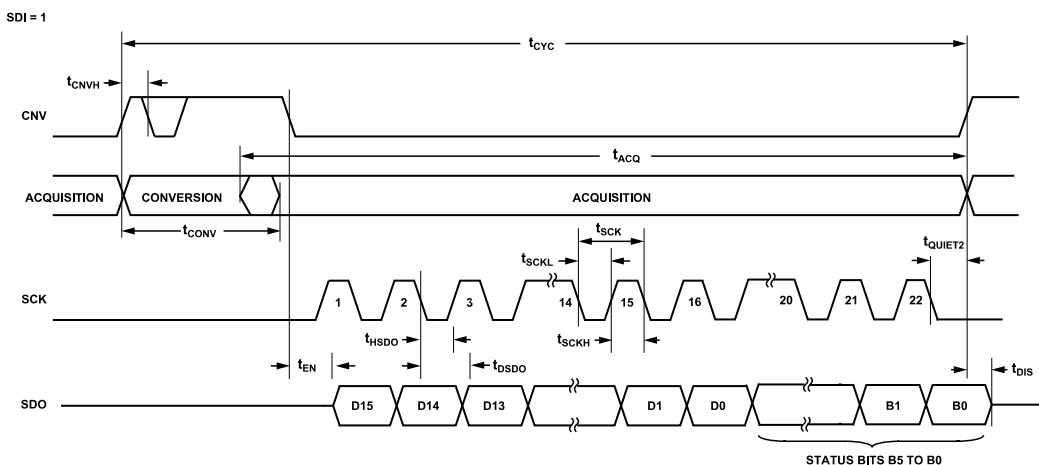


Figure 55. 3-Wire \overline{CS} Mode Without the Busy Indicator, Including Status Bits, Serial Interface Timing Diagram (SDI High)

APPLICATIONS INFORMATION

3-WIRE \overline{CS} TURBO MODE

To connect a single ADAQ4001 device to an SPI-compatible digital host, use 3-wire \overline{CS} turbo mode. This mode provides additional time during the end of the ADC conversion process to clock out the previous conversion result, providing a lower SCK rate. The ADAQ4001 can achieve a throughput rate of 2 MSPS only with turbo mode enabled and a minimum SCK rate of 70 MHz.

Figure 56 shows the connection diagram, and Figure 57 shows the corresponding timing diagram.

To enable turbo mode, set the turbo mode enable bit in the configuration register to 1 (see Table 13). This mode replaces the 3-wire mode with the busy indicator mode by programming the turbo mode bit, Bit 1 (see Table 15). Writing to the user configuration register requires SDI to be connected to the digital host (see the Register Read and Write Functionality section). When turbo mode is enabled, the conversion result read on SDO corresponds to the result of the previous conversion.

When performing conversions in this mode, SDI must be held high, and a CNV rising edge initiates a conversion and forces SDO to

high impedance. The user must wait the t_{QUIET1} time after CNV is brought high before bringing CNV low to clock out the previous conversion result. When the conversion is complete (after t_{CONV}), the ADAQ4001 enters the acquisition phase and powers down. The user must also wait the t_{QUIET2} time after the last falling edge of SCK to when CNV is brought high.

When CNV goes low, the MSB is output to SDO. The remaining data bits are clocked by subsequent SCK falling edges. The data is valid on both SCK edges. Although the rising edge can capture the data, a digital host using the SCK falling edge allows a faster reading rate, provided it has an acceptable hold time, as dictated by t_{HSDO} (see Table 3). If the status bits are not enabled, SDO returns to high impedance after the 16th SCK falling edge. If the status bits are enabled, the bits are shifted out on SDO on the 17th through the 22nd SCK falling edges (see the Status Word section). SDO returns to high impedance after the 16th SCK falling edge, or when CNV goes high (whichever occurs first). The user must also provide a delay of t_{QUIET2} between the final SCK falling edge and the next CNV rising edge to ensure the specified performance.

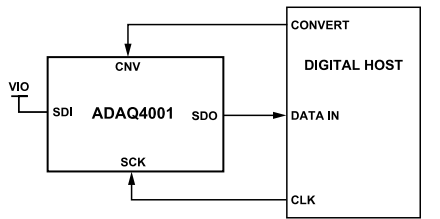


Figure 56. 3-Wire \overline{CS} Turbo Mode Connection Diagram (SDI High)

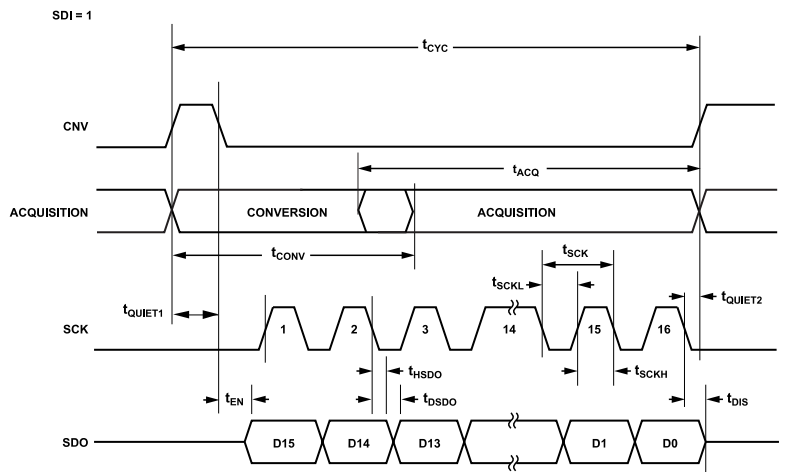


Figure 57. 3-Wire \overline{CS} Turbo Mode Serial Interface Timing Diagram (SDI High)

APPLICATIONS INFORMATION

3-WIRE \overline{CS} MODE WITHOUT THE BUSY INDICATOR

To connect a single ADAQ4001 device to an SPI-compatible digital host, use 3-wire \overline{CS} mode without the busy indicator.

Figure 58 shows the connection diagram, and Figure 59 shows the corresponding timing diagram.

When SDI is connected to VIO, a rising edge on CNV initiates a conversion, selects the \overline{CS} mode, and forces SDO to high impedance. After a conversion initiates, it continues until completion irrespective of the state of CNV. This feature can be useful, for instance, to bring CNV low to select other SPI devices, such as analog multiplexers. However, CNV must return high before the minimum conversion time elapses and then held high for the

maximum possible conversion time to avoid the generation of the busy signal indicator.

When the conversion completes, the ADAQ4001 enters the acquisition phase and powers down. When CNV goes low, the MSB is output onto SDO. The remaining data bits are clocked by subsequent SCK falling edges. The data is valid on both SCK edges. Although the rising edge can capture the data, a digital host using the SCK falling edge allows a faster reading rate, provided that the digital host has an acceptable hold time. After the 16th SCK falling edge or when CNV goes high (whichever occurs first), SDO returns to high impedance.

There must not be any digital activity on SCK during the conversion.

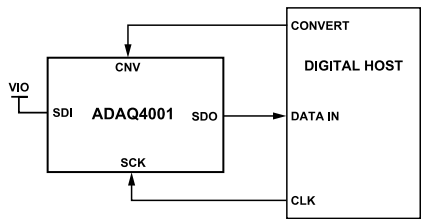


Figure 58. 3-Wire \overline{CS} Mode Without the Busy Indicator Connection Diagram (SDI High)

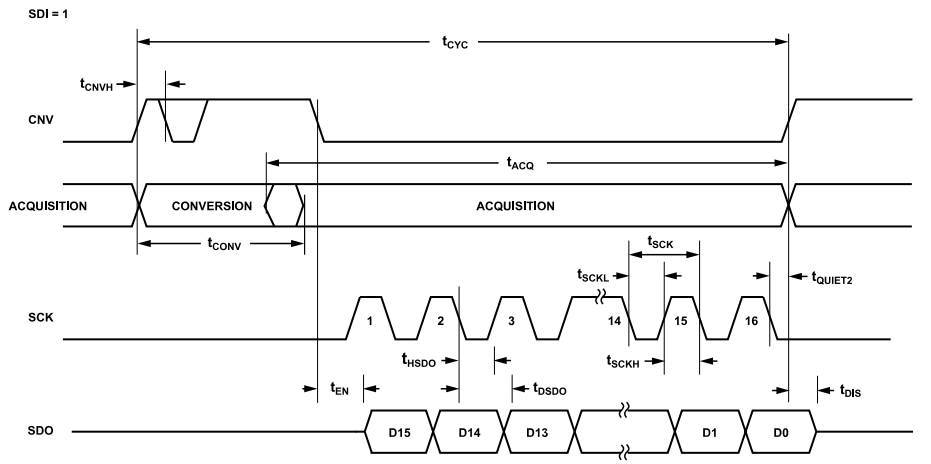


Figure 59. 3-Wire \overline{CS} Mode Without the Busy Indicator Serial Interface Timing Diagram (SDI High)

APPLICATIONS INFORMATION

3-WIRE $\overline{\text{CS}}$ MODE WITH THE BUSY INDICATOR

To connect a single ADAQ4001 device to an SPI-compatible digital host that has an interrupt input ($\overline{\text{IRQ}}$), use 3-wire $\overline{\text{CS}}$ mode with the busy indicator.

Figure 60 shows the connection diagram, and Figure 61 shows the corresponding timing diagram.

When SDI is connected to VIO, a rising edge on CNV initiates a conversion, selects the $\overline{\text{CS}}$ mode, and forces SDO to high impedance. SDO is maintained in high impedance until the completion of the conversion irrespective of the state of CNV. Prior to the minimum conversion time, CNV can select other SPI devices, such as analog multiplexers. However, CNV must be returned low before the minimum conversion time elapses and then held low for the maximum possible conversion time to guarantee the generation of the busy signal indicator.

When the conversion completes, SDO goes from high impedance to low impedance. With a pull-up resistor of 1 k Ω on the SDO line,

this transition can be used as an interrupt signal to initiate the data reading controlled by the digital host. The ADAQ4001 then enters the acquisition phase and powers down. The data bits are then clocked out, MSB first, by subsequent SCK falling edges. The data is valid on both SCK edges. Although the rising edge can capture the data, a digital host using the SCK falling edge allows a faster reading rate, provided that the digital host has an acceptable hold time. After the optional 17th SCK falling edge or when CNV goes high (whichever occurs first), SDO returns to high impedance.

If multiple ADAQ4001 devices are selected at the same time, the SDO output pin handles this contention without damage or induced latch-up. Meanwhile, it is recommended to keep this contention as short as possible to limit extra power dissipation.

There must not be any digital activity on the SCK during the conversion.

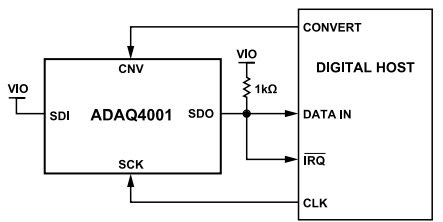


Figure 60. 3-Wire $\overline{\text{CS}}$ Mode with the Busy Indicator Connection Diagram (SDI High)

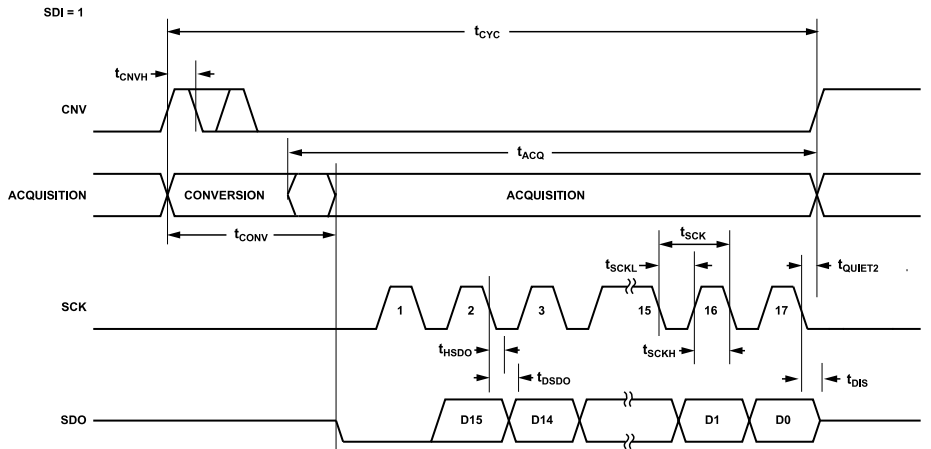


Figure 61. 3-Wire $\overline{\text{CS}}$ Mode with the Busy Indicator Serial Interface Timing Diagram (SDI High)

APPLICATIONS INFORMATION

4-WIRE \overline{CS} TURBO MODE

To connect a single ADAQ4001 to an SPI-compatible digital host, use 4-wire \overline{CS} turbo mode. This mode provides additional time during the end of the ADC conversion process to clock out the previous conversion result, giving a lower SCK rate. The ADAQ4001 can achieve a throughput rate of 2 MSPS only when turbo mode is enabled and using a minimum SCK rate of 70 MHz.

Figure 62 shows the connection diagram, and Figure 63 shows the corresponding timing diagram.

This mode replaces the 4-wire with busy indicator mode by programming the turbo mode bit, Bit 1 (see Table 15).

With SDI high, a rising edge on CNV initiates a conversion. The previous conversion data is available to read after the CNV rising

edge. The user must wait t_{QUIET1} after CNV is brought high before bringing SDI low to clock out the previous conversion result. The user must also wait t_{QUIET2} after the last falling edge of SCK to when CNV is brought high.

When the conversion is complete, the ADAQ4001 enters the acquisition phase and powers down. The ADC result can be read by bringing its SDI input low, which consequently outputs the MSB onto SDO. The remaining data bits are then clocked by subsequent SCK falling edges. The data is valid on both SCK edges. Although the rising edge can capture the data, a digital host using the SCK falling edge allows a faster reading rate, provided that the digital host has an acceptable hold time. After the 16th SCK falling edge or when SDI goes high (whichever occurs first), SDO returns to high impedance.

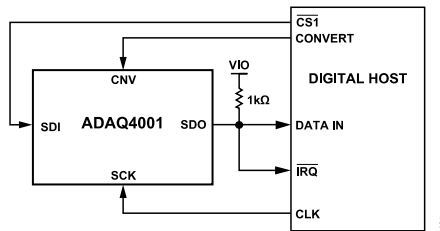


Figure 62. 4-Wire \overline{CS} Turbo Mode Connection Diagram

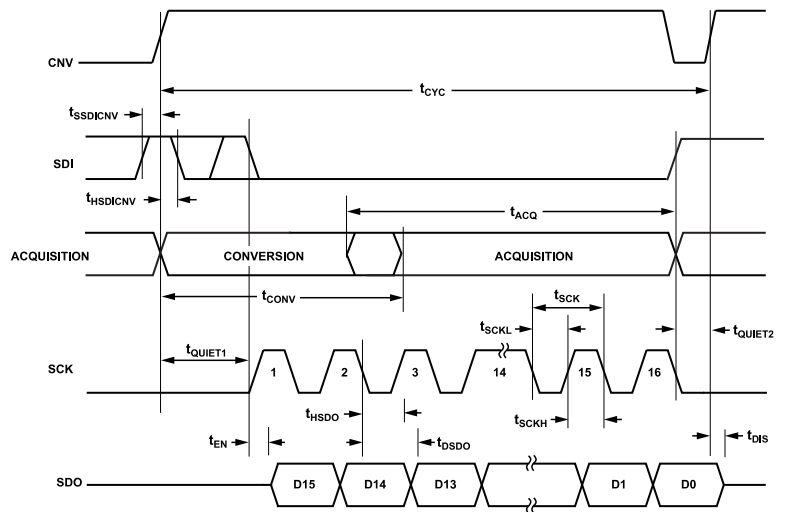


Figure 63. 4-Wire \overline{CS} Turbo Mode Timing Diagram

APPLICATIONS INFORMATION

4-WIRE \overline{CS} MODE WITHOUT THE BUSY INDICATOR

To connect multiple ADAQ4001 devices to an SPI-compatible digital host, use 4-wire \overline{CS} mode without the busy indicator.

Figure 64 shows a connection diagram example using two ADAQ4001 devices, and Figure 65 shows the corresponding timing diagram.

With SDI high, a rising edge on CNV initiates a conversion, selects the \overline{CS} mode, and forces SDO to high impedance. In this mode, CNV must be held high during the conversion phase and the subsequent data readback. If SDI and CNV are low, SDO is driven low. Prior to the minimum conversion time, SDI can select other SPI devices, such as analog multiplexers. However, SDI must be

returned high before the minimum conversion time elapses and then held high for the maximum possible conversion time to avoid the generation of the busy signal indicator.

When the conversion is complete, the ADAQ4001 enters the acquisition phase and powers down. Each ADC result can be read by bringing its SDI input low, which consequently outputs the MSB onto SDO. The remaining data bits are then clocked by subsequent SCK falling edges. The data is valid on both SCK edges. Although the rising edge can capture the data, a digital host using the SCK falling edge allows a faster reading rate, provided that the digital host has an acceptable hold time. After the 16th SCK falling edge or when SDI goes high (whichever occurs first), SDO returns to high impedance and another ADAQ4001 can be read.

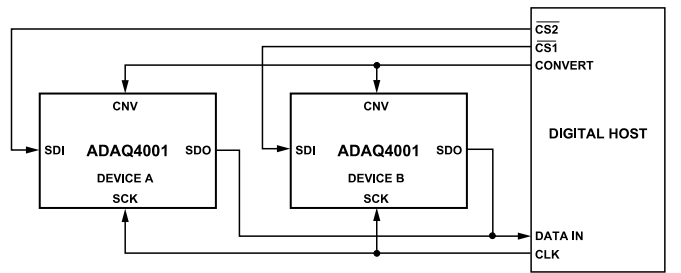


Figure 64. 4-Wire \overline{CS} Mode Without the Busy Indicator Connection Diagram

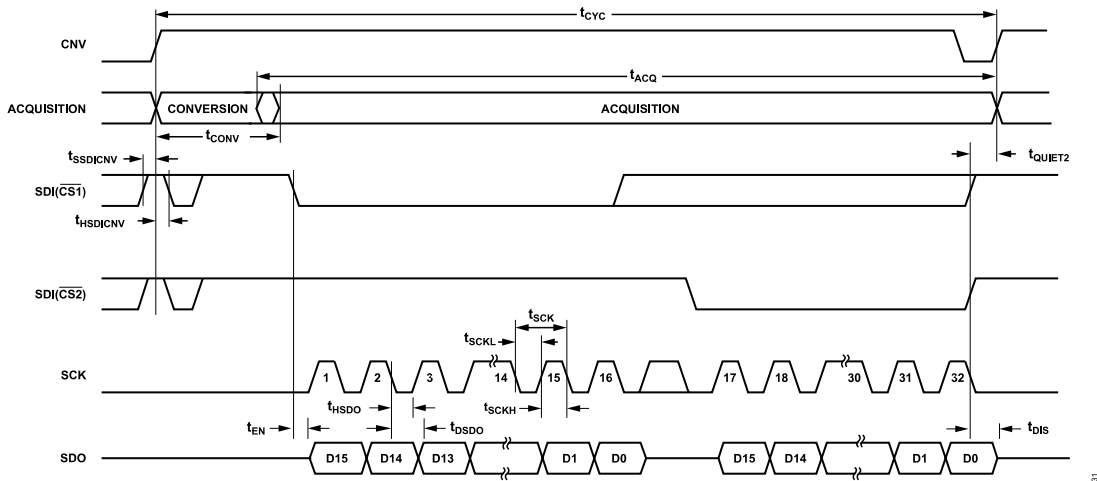


Figure 65. 4-Wire \overline{CS} Mode Without the Busy Indicator Serial Interface Timing Diagram

APPLICATIONS INFORMATION

4-WIRE $\overline{\text{CS}}$ MODE WITH THE BUSY INDICATOR

To connect a single ADAQ4001 device to an SPI-compatible digital host that has an interrupt input ($\overline{\text{IRQ}}$), use 4-wire $\overline{\text{CS}}$ mode with the busy indicator. Use this mode to keep CNV, which samples the analog input, independent of the signal used to select the data reading. This independence is particularly important in applications where low jitter on CNV is desired.

Figure 66 shows the connection diagram, and Figure 67 shows the corresponding timing diagram.

With SDI high, a rising edge on CNV initiates a conversion, selects the $\overline{\text{CS}}$ mode, and forces SDO to high impedance. In this mode, CNV must be held high during the conversion phase and the subsequent data readback. If SDI and CNV are low, SDO is driven low. Prior to the minimum conversion time, SDI can select other

SPI devices, such as analog multiplexers. However, SDI must be returned low before the minimum conversion time elapses and then held low for the maximum possible conversion time to guarantee the generation of the busy signal indicator.

When the conversion is complete, SDO goes from high impedance to low impedance. With a pull-up resistor of 1 k Ω on the SDO line, this transition can be used as an interrupt signal to initiate the data readback controlled by the digital host. The ADAQ4001 then enters the acquisition phase and powers down. The data bits are then clocked out, MSB first, by subsequent SCK falling edges. The data is valid on both SCK edges. Although the rising edge can capture the data, a digital host using the SCK falling edge allows a faster reading rate, provided that the digital host has an acceptable hold time. After the optional 17th SCK falling edge or when SDI goes high (whichever occurs first), SDO returns to high impedance.

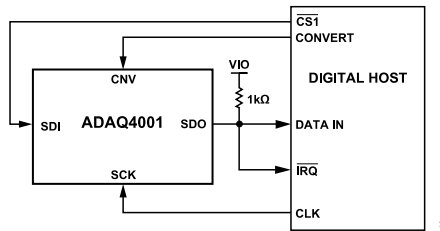


Figure 66. 4-Wire $\overline{\text{CS}}$ Mode with the Busy Indicator Connection Diagram

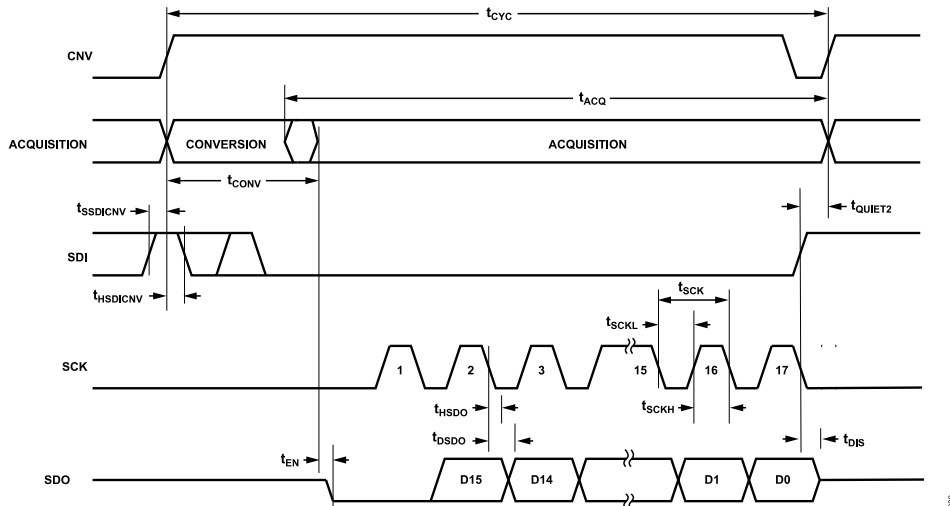


Figure 67. 4-Wire $\overline{\text{CS}}$ Mode with the Busy Indicator Serial Interface Timing Diagram

APPLICATIONS INFORMATION

DAISY-CHAIN MODE

To daisy-chain multiple ADAQ4001 devices on a 3-wire or 4-wire serial interface, use daisy-chain mode. This feature is useful for reducing component count and wiring connections, for example, in isolated multiconverter applications or for systems with a limited interfacing capacity. Data readback is analogous to clocking a shift register.

Figure 68 shows a connection diagram example using two ADAQ4001 devices, and Figure 69 shows the corresponding timing diagram.

When SDI and CNV are low, SDO is driven low. With SCK low, a rising edge on CNV initiates a conversion, selects daisy-chain mode, and disables the busy indicator. In this mode, hold CNV high during the conversion phase and the subsequent data readback. When the conversion is complete, the MSB is output onto SDO, and the ADAQ4001 enters the acquisition phase and powers down. The remaining data bits stored in the internal shift register are clocked out of SDO by subsequent SCK falling edges. For each ADC, SDI feeds the input of the internal shift register and is clocked by the SCK rising edges. Each ADC in the daisy chain outputs

its data MSB first, and $16 \times N$ clocks are required to read back the N ADCs. The data is valid on both SCK edges. The maximum conversion rate is reduced because of the total readback time.

It is possible to write to each ADC register in daisy-chain mode (see Figure 69). This mode requires 4-wire operation because data is clocked in on the SDI line with CNV held low. The same command byte and register data can be shifted through the entire chain to program all ADCs in the chain with the same register contents, which requires $8 \times (N + 1)$ clocks for N ADCs. It is possible to write different register contents to each ADC in the chain by writing to the furthest ADC in the chain, first using $8 \times (N + 1)$ clocks, then the second furthest ADC with $8 \times N$ clocks, and so on until reaching the nearest ADC in the chain, which requires 16 clocks for the command and register data.

It is not possible to read register contents in daisy-chain mode. However, the six status bits can be enabled if the user wants to determine the ADC configuration. Note that enabling the status bits requires six extra clocks to clock out the ADC result and the status bits per ADC in the chain. Turbo mode cannot be used in daisy-chain mode.

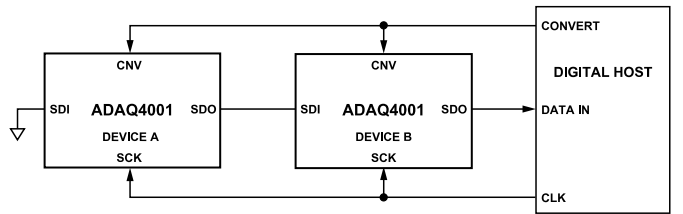


Figure 68. Daisy-Chain Mode Connection Diagram

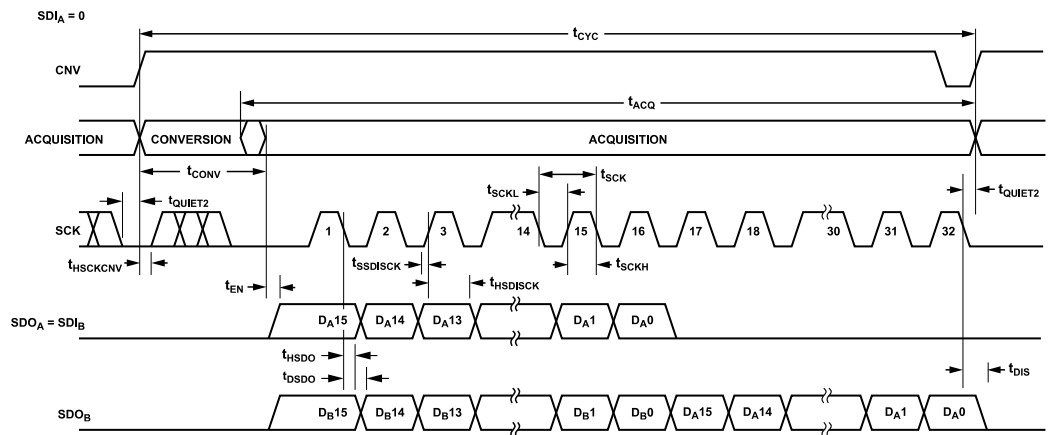


Figure 69. Daisy-Chain Mode Serial Interface Timing Diagram

APPLICATIONS INFORMATION

LAYOUT GUIDELINES

The PCB layout is critical for preserving signal integrity and achieving the expected performance from the ADAQ4001. It is recommended to design a multilayer board with an internal, clean ground plane and a separate power plane to route various supply rails beneath the ADAQ4001. Care must be taken with the placement of individual components and routing of various signals on the board. It is recommended to route input and output signals symmetrically while keeping the power supply circuitry away from the analog signal path. Keep the sensitive analog and digital sections separate and confined to certain areas of the board and avoid crossover of digital and analog signals.

The pinout of the ADAQ4001 eases the layout and allowing its analog signals on the left side and its digital signals on the right side. Fast switching signals, such as CNV or clocks, must not run near or crossover analog signal paths to prevent noise coupling to the ADAQ4001. Remove the ground and power planes beneath the input and output pins of the ADAQ4001 to avoid undesired parasitic capacitance, especially underneath summing junction nodes (IN+ and IN-) and any floating inputs. Any undesired parasitic capacitance on the summing junction nodes can reduce the phase margin of the FDA and impact the distortion and linearity performance of the ADAQ4001.

The ADAQ4001 enables a high channel density PCB layout by incorporating all the necessary decoupling ceramic capacitors for the reference and power supply (REF, VS+, VS-, VDD, and VIO) pins to provide a low impedance path to ground at high frequencies and to handle the transient currents. Therefore, the additional external decoupling capacitors are not required without causing any performance impact or electromagnetic interference (EMI) issues, saving board space. This performance impact was verified on the [EVAL-ADAQ4001FMCZ](#) by removing the external decoupling capacitors on the output of reference and LDO regulators that generate the on-board rails (REF, VS+, VS-, VDD, and VIO). [Figure 70](#) shows that any spurs are buried well below -120 dB in the noise floor whether the external decoupling capacitors are used or removed. The recommended board layout is outlined in the [EVAL-ADAQ4001FMCZ](#) user guide ([UG-1533](#)).

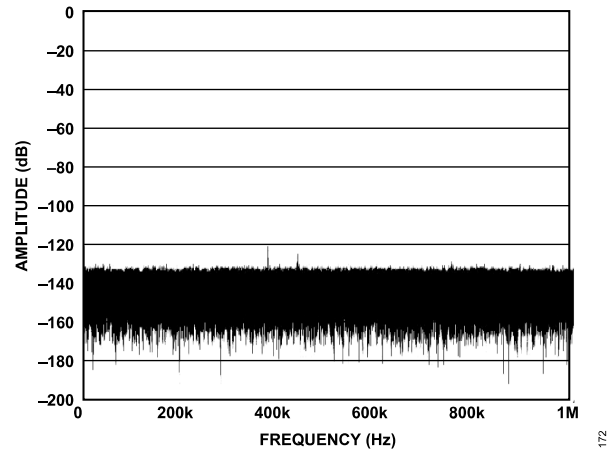


Figure 70. FFT with Shorted Inputs