

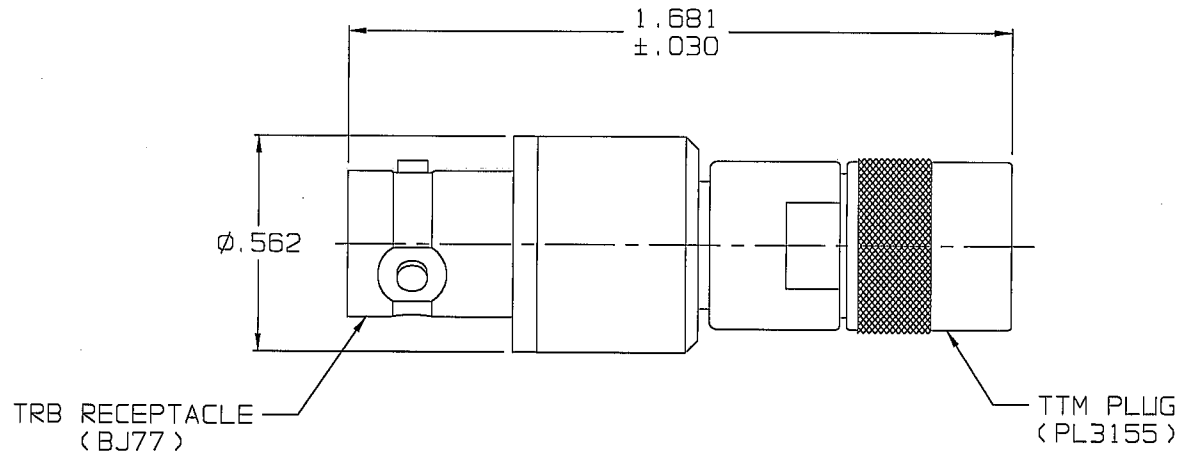
DATA CONTAINED IN THIS DOCUMENT IS PROPRIETARY TO TROMPETER ELECTRONICS INC. AND SHALL NOT BE DISCLOSED, COPIED OR USED FOR PROCUREMENT OR MANUFACTURE WITHOUT EXPRESS WRITTEN PERMISSION OF TROMPETER ELECTRONICS INC.

REVISIONS

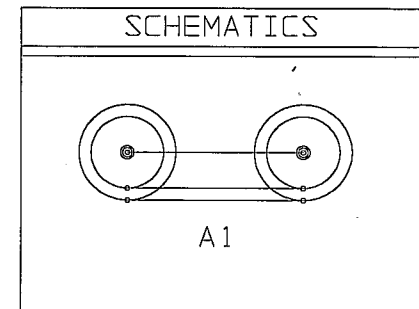
5-0010

SH 1

REV	DESCRIPTION	DATE	APPROVED
C	REVISED PER ECD 15534	7/19/04	WJ



RED INDICATES ORIGINAL



3. ALL MATERIALS MEET THE OUTGASSING REQUIREMENTS OF NASA SPECIFICATION SP-R-0022A AND THE REQUIREMENTS OF TEI'S SPECIFICATION TT-09
2. BETWEEN SERIES ADAPTER TRB STYLE RECEPTACLE TO TTM STYLE PLUG SPACE RATED
1. FINISH: TFS-1A (NICKEL)

INTERPRET DRAWING PER MIL-STD-100 DIMENSIONS ARE IN INCHES AND INCLUDE FINISH THICKNESS UNLESS OTHERWISE SPECIFIED		TOL: UNLESS SPECIFIED .XX ±.003 .XXX ±.003 .XXXX ±.0010 ANGLES ±0° 30'	
DRAWN H.M.	DATE 7-15-04	MATERIAL:	
CHECKED WJ	DATE 7/15/04	FINISH:	
APPROVED WJ	DATE 7/19/04		
CAD FILE NO. 5-0010C		DO NOT SCALE DWG	



TITLE: ADBJ77-A1-PL3155 SPACE RATED			
SIZE A	CAGE CODE 14949	DRAWING NO. 5-0010	REV. C
SCALE 2/1	DATE: 1-12-04	SHEET 1C	

NEXT ASSY	CAD FILE NO. 5-0010C	DO NOT SCALE DWG	SCALE 2/1	DATE: 1-12-04	SHEET 1C
-----------	-------------------------	------------------	--------------	------------------	-------------