

P2 CONN TYPE	FIG NO	P1 CONN TYPE																	
		BJ157					BJ157FL					BJ3157					CJ150		
		SCHEMATICS																	
		A1	A2	A3	A4	A5	A1	A2	A3	A4	A5	A1	A2	A3	A4	A5	A1		
PL73	1A	-1	-2	-3	-4	-5	-6	-7	-8	-9	-10	-11	-12	-13	-14	-15	---		
PL74	1B	-16	-17	-18	-19	-20	-21	-22	-23	-24	-25	-26	-27	-28	-29	-30	---		
PL75	1B	-31	-32	-33	-34	-35	-36	-37	-38	-39	-40	-41	-42	-43	-44	-45	-196		
PL75FL	2A	-46	-47	-48	-49	-50	-51	-52	-53	-54	-55	-56	-57	-58	-59	-60	---		
PL375	2B	-61	-62	-63	-64	-65	-66	-67	-68	-69	-70	-71	-72	-73	-74	-75	---		
BJ74	3A	-76	-77	-78	-79	-80	-81	-82	-83	-84	-85	-86	-87	-88	-89	-90	---		
BJ74TL	3A	-91	-92	-93	-94	-95	-96	-97	-98	-99	-100	-101	-102	-103	-104	-105	---		
BJ74FL	3A	-106	-107	-108	-109	-110	-111	-112	-113	-114	-115	-116	-117	-118	-119	-120	---		
BJ374	3B	-121	-122	-123	-124	-125	-126	-127	-128	-129	-130	-131	-132	-133	-134	-135	---		
BJ79	4A	-136	-137	-138	-139	-140	-141	-142	-143	-144	-145	-146	-147	-148	-149	-150	---		
BJ79TL	4A	-151	-152	-153	-154	-155	-156	-157	-158	-159	-160	-161	-162	-163	-164	-165	---		
BJ79FL	4A	-166	-167	-168	-169	-170	-171	-172	-173	-174	-175	-176	-177	-178	-179	-180	---		
BJ379	4B	-181	-182	-183	-184	-185	-186	-187	-188	-189	-190	-191	-192	-193	-194	-195	---		

DATA CONTAINED IN THIS DOCUMENT IS PROPRIETARY TO TROMPETER ELECTRONICS INC. AND SHALL NOT BE DISCLOSED, COPIED OR USED FOR PROCUREMENT OR MANUFACTURE WITHOUT EXPRESS WRITTEN PERMISSION.			REVIEWS			22-17	SH 1
REV	ED	DESCRIPTION	DWN	APPROVED	DATE		
E	55992	SEE ECO	CWW	P. KLYVE	12/23/15		

FIG 1A (P1)  
-1 SHOWN  
FIG 1B (P1)  
-42 SHOWN

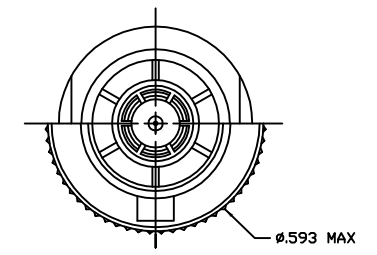
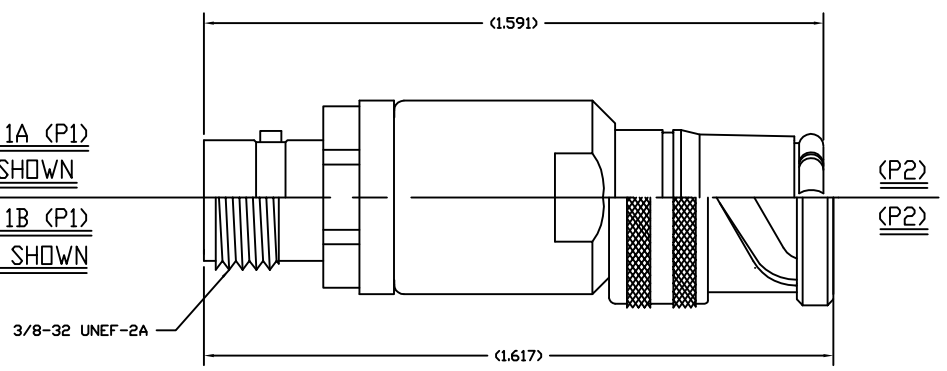


FIG 2A (P1)  
-51 SHOWN  
FIG 2B (P1)  
-71 SHOWN

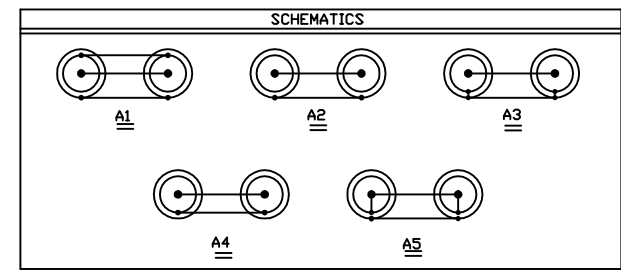
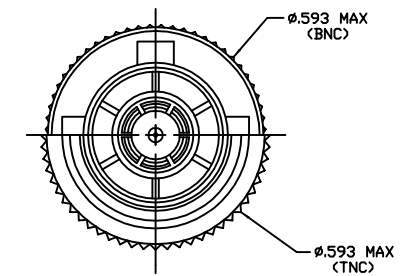
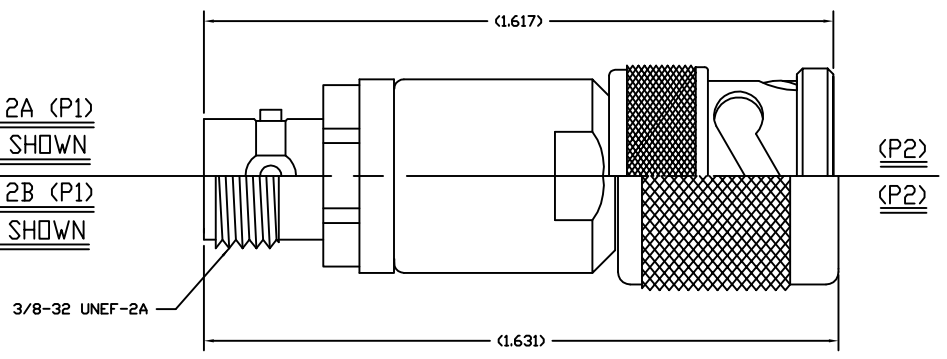


FIG 3A (P1)  
-76 SHOWN  
FIG 3B (P1)  
-131 SHOWN

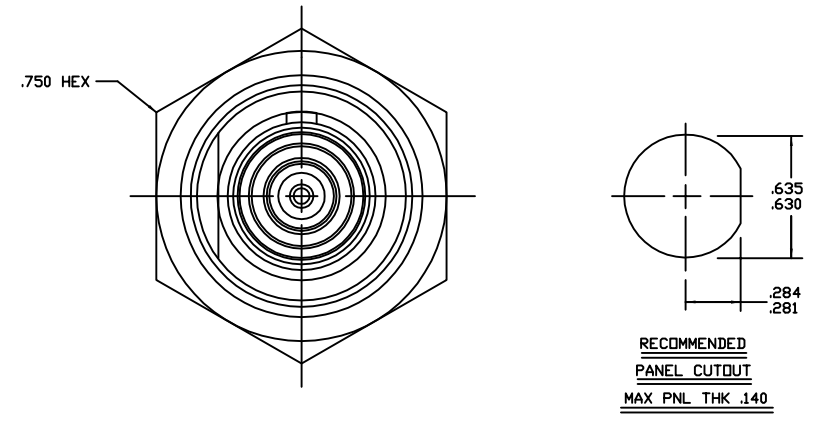
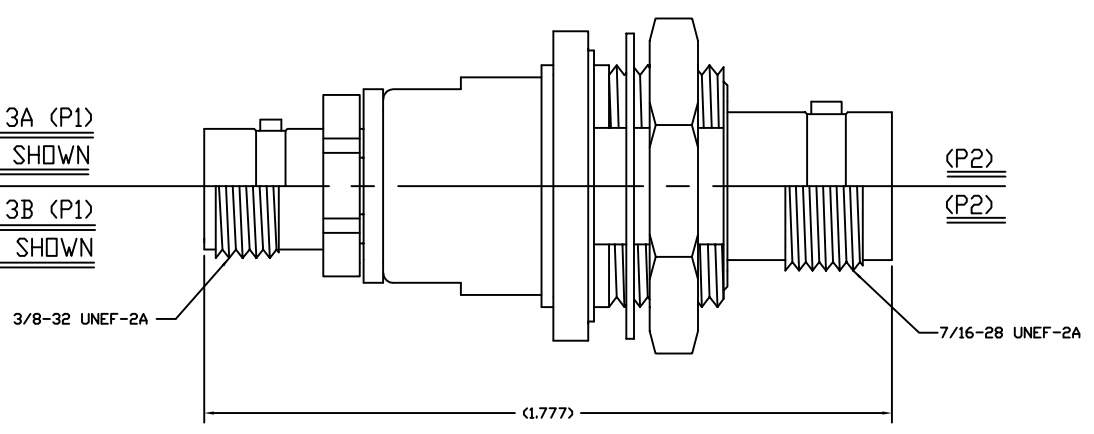
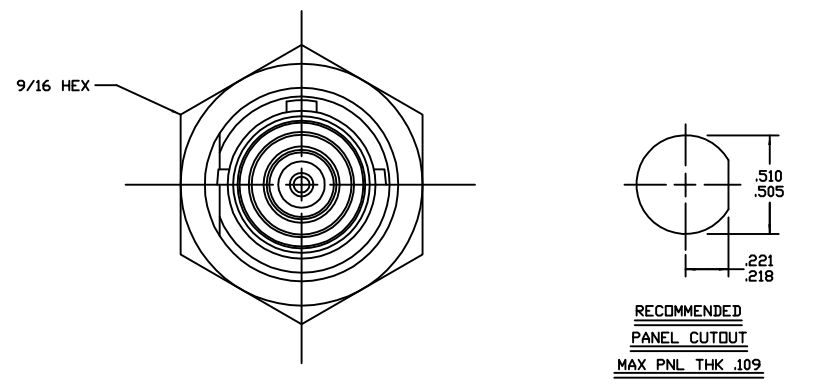
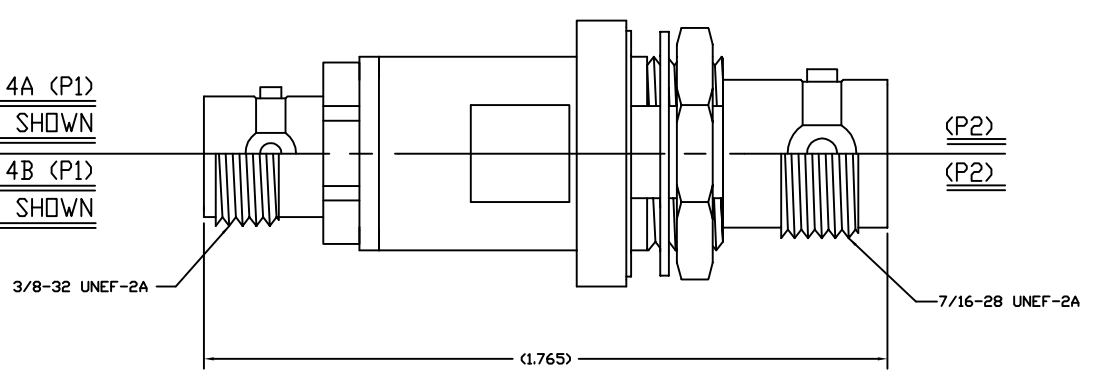


FIG 4A (P1)  
-171 SHOWN  
FIG 4B (P1)  
-191 SHOWN



- EXAMPLE OF COMPLETE MODEL NO:  
AD - BJ157 - A1 - PL375  
ADAPTER (P1) CONN TYPE (P2) CONN TYPE SCHEMATIC
- EXAMPLE OF COMPLETE PART NO:  
22-17-1  
BASIC PART NO DASH NO
- BETWEEN SERIES ADAPTER, 3/4-LUG & THREADED CONCENTRIC TWINAX/TRIAX TRS & TTM TYPE TO '70' SERIES PLUG & BULKHEAD MOUNT
- BODY FINISH: NICKEL
- ALL DIM ARE IN INCHES

QTY	DESCRIPTION	PART NUMBER	ITEM
TOL UNLESS SPECIFIED XX ± .005 XXX ± .005 XXXX ± .005 ANGLES ±	TROMPETER	ADAPTERS, BJ157/FL/3157 TO '70' SERIES PLUG & BULKHEAD MOUNT	
DWN	CWW	12/23/15	MATERIAL
CHK			CODE IDENT
ENGR			DRAWING NO.
NEXT ASSY	APPR		REV
		SCALE 4/1	DATE 3-9-87
			SHEET 1 OF 2