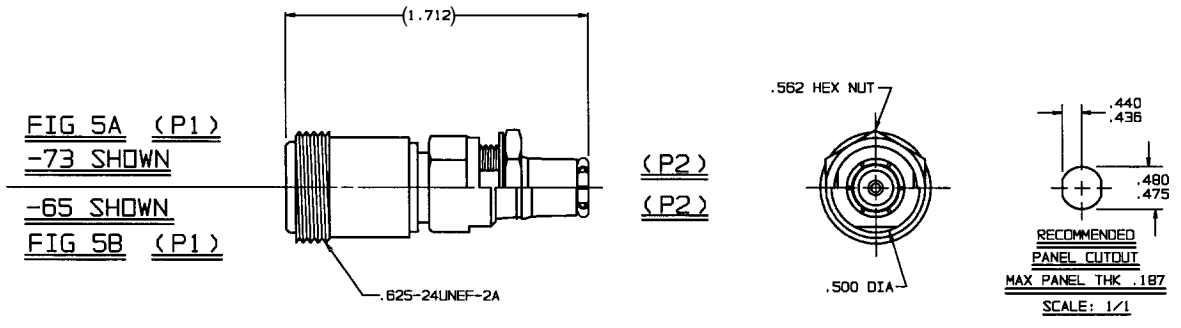
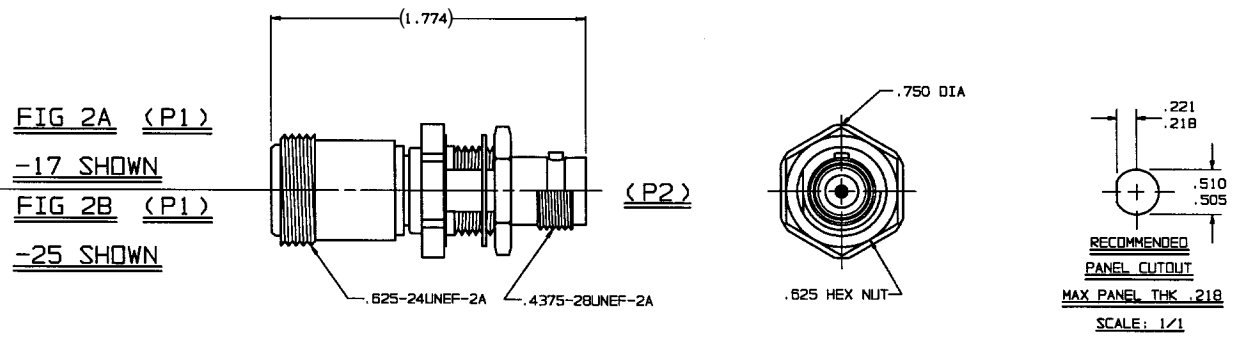
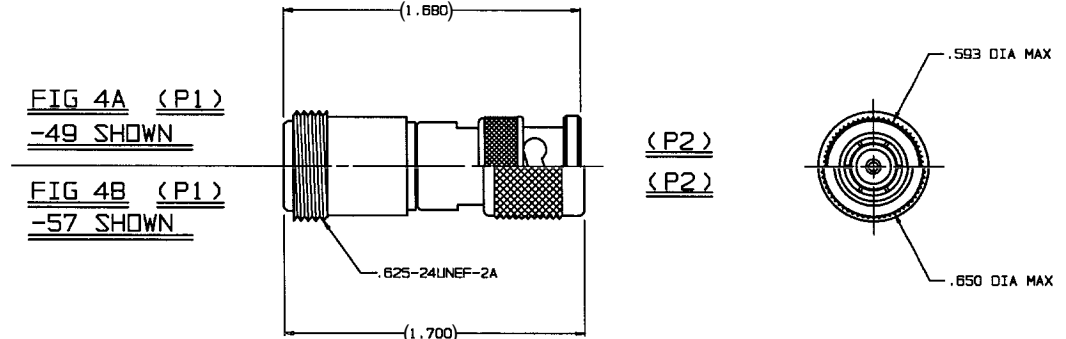
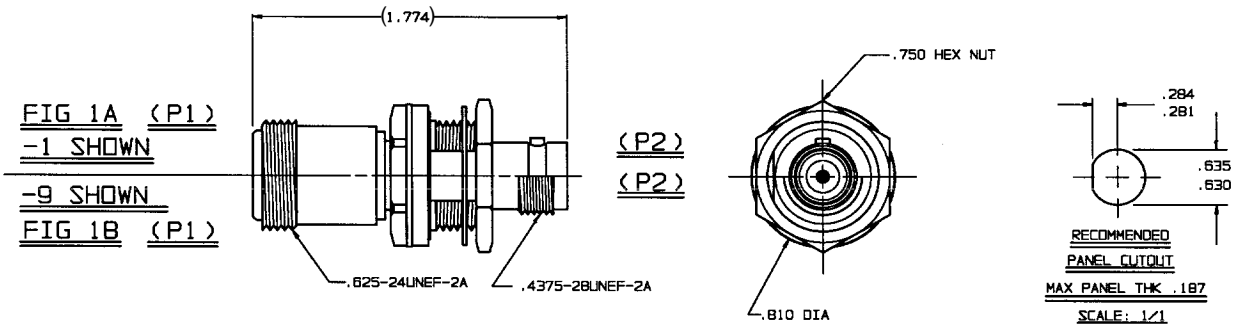
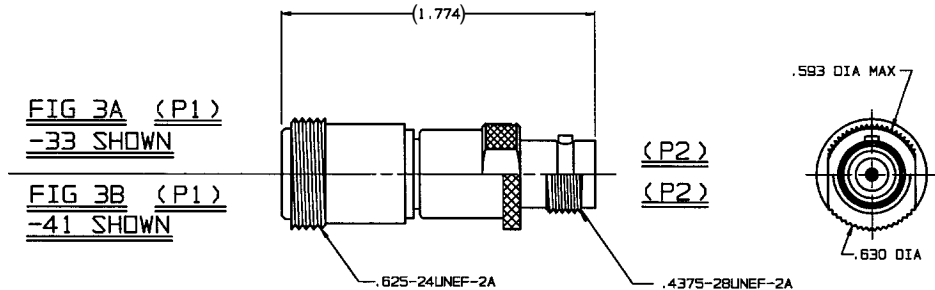


# RED INDICATES ORIGINAL

DMG SIZE C DATA CONTAINED IN THIS DOCUMENT IS PROPRIETARY TO TROMPETER ELECTRONICS, INC. AND SHALL NOT BE DISCLOSED, COPIED OR USED FOR REPRODUCTION OR MANUFACTURE WITHOUT EXPRESS WRITTEN PERMISSION.

REVISIONS			12-05		
REV	ECD	DESCRIPTION	DWN	APPROVED	DATE
B	10976	FIG 4A & 4B, 1.680 ± .030 WAS 1.745 ± .030, 1.700 ± .030, WAS 1.774 ± .030; REDRAWN; GENERAL UPDATE; SEE ECD	DKC	<i>Bm</i>	<i>6/24/16</i>
C	56277			M.A	6/24/16

P2 CONN TYPE	FIG NO	P1 CONN TYPE				INCH		MM		INCH		MM	
		J95	UJ95										
		SCHEMATICS				.030	0.76	.500	12.70	.810	20.57		
		K1	K2	K1	K2	.187	4.75	.505	12.83	1.680	42.67		
		DASH NUMBERS				.218	5.54	.510	12.95	1.700	43.18		
BJ26	1A	-1	-2	-3	-4	.221	5.61	.562	14.27	1.712	44.49		
UBJ26		-5	-6	-7	-8	.281	7.14	.593	15.06	1.774	45.06		
BJ46	1B	-9	-10	-11	-12	.284	7.21	.625	15.88				
UBJ46		-13	-14	-15	-16	.436	11.07	.630	16.00				
BJ29	2A	-17	-18	-19	-20	.440	11.18	.635	16.13				
UBJ29		-21	-22	-23	-24	.475	12.07	.650	16.51				
BJ49	2B	-25	-26	-27	-28								
UBJ49		-29	-30	-31	-32								
CJ20	3A	-33	-34	-35	-36								
UCJ20		-37	-38	-39	-40								
CJ40	3B	-41	-42	-43	-44								
UCJ40		-45	-46	-47	-48								
PL20	4A	-49	-50	-51	-52								
UPL20		-53	-54	-55	-56								
PL40	4B	-57	-58	-59	-60								
UPL40		-61	-62	-63	-64								
PL123	5A	-65	-66	-67	-68								
UPL123		-69	-70	-71	-72								
PL122	5B	-73	-74	-75	-76								
UPL122		-77	-78	-79	-80								



6. EXAMPLE OF COMPLETE MODEL NO:  
BASIC MODEL NO. 12-05-1 DASH NO

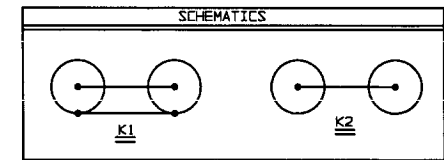
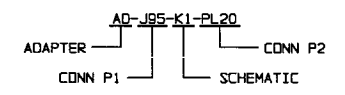
5. BETWEEN SERIES ADAPTER 50 & 75 OHM "N" JACK TO 50 & 75 OHM BNC/TNC INSULATED & NONINSULATED BULKHEAD MOUNT JACK/JACK/PLUG PUSH-ON PLUG & NONINSULATED BULKHEAD MOUNT PLUG

FOR "K1" VERSION SEE 1-0441, UAD192  
FOR "K2" VERSION SEE 1-0441, AD192

2. BODY FINISH NICKEL

1. ALL DIM ARE IN INCHES

7. EXAMPLE OF COMPLETE MODEL NO:



QTY	DESCRIPTION	PART NUMBER	ITEM
TO UNLESS SPECIFIED	TROMPETER ELECTRONICS, INC.	ADAPTERS; U/J95 TO COMPLETE BNC/TNC SERIES	
DWN DKC 3-8-95	MATERIAL	14949	DRAWING NO. 12-05
CHK Bm 7-2-95	ENGR		REV C
ENGR	APPR		
NEXT ASSY	SCALE 2/1	DATE 10-23-96	SHEET 1 OF 1