



### FEATURES

- RF bandwidth to 6.2 GHz
- 2.7 V to 3.3 V power supply
- Separate V<sub>P</sub> pin allows extended tuning voltage
- Programmable fractional modulus
- Programmable charge-pump currents
- 3-wire serial interface
- Digital lock detect
- Power-down mode
- Pin compatible with ADF4110/ADF4111/ADF4112/ADF4113, ADF4106, ADF4153, and ADF4154 frequency synthesizers
- Programmable RF output phase
- Loop filter design possible with ADIsimPLL
- Cycle slip reduction for faster lock times

### APPLICATIONS

- CATV equipment
- Base stations for mobile radio (WiMAX, GSM, PCS, DCS, SuperCell 3G, CDMA, WCDMA)
- Wireless handsets (GSM, PCS, DCS, CDMA, WCDMA)
- Wireless LANs, PMR
- Communications test equipment

### GENERAL DESCRIPTION

The ADF4156 is a 6.2 GHz fractional-N frequency synthesizer that implements local oscillators in the upconversion and down-conversion sections of wireless receivers and transmitters. It consists of a low noise digital phase frequency detector (PFD), a precision charge pump, and a programmable reference divider. There is a Σ-Δ based fractional interpolator to allow programmable fractional-N division. The INT, FRAC, and MOD registers define an overall N divider ( $N = (INT + (FRAC/MOD))$ ). The RF output phase is programmable for applications that require a particular phase relationship between the output and the reference. The ADF4156 also features cycle slip reduction circuitry, leading to faster lock times without the need for modifications to the loop filter.

Control of all on-chip registers is via a simple 3-wire interface. The device operates with a power supply ranging from 2.7 V to 3.3 V and can be powered down when not in use.

### FUNCTIONAL BLOCK DIAGRAM

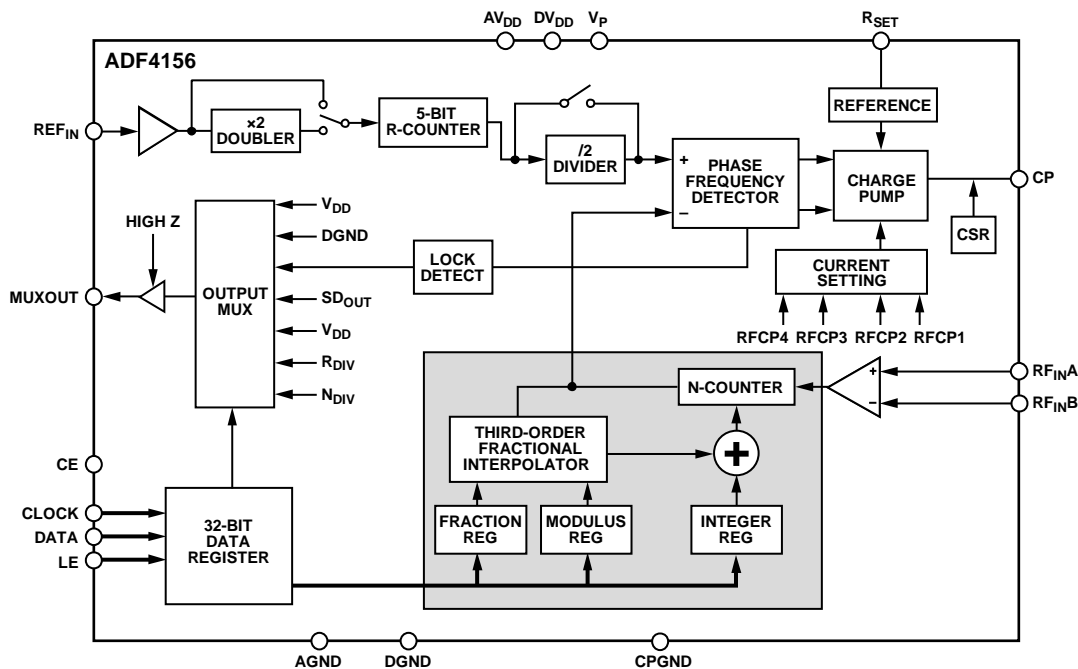


Figure 1.

06865-001

Rev. E

#### Document Feedback

Information furnished by Analog Devices is believed to be accurate and reliable. However, no responsibility is assumed by Analog Devices for its use, nor for any infringements of patents or other rights of third parties that may result from its use. Specifications subject to change without notice. No license is granted by implication or otherwise under any patent or patent rights of Analog Devices. Trademarks and registered trademarks are the property of their respective owners.

## TABLE OF CONTENTS

|  |    |  |    |
|--|----|--|----|
| Features .....   | 1  | Register Maps.....   | 10 |
| Applications.....  | 1  | FRAC/INT Register, R0.....                                   | 11 |
| General Description .....  | 1  | Phase Register, R1 .....                                     | 12 |
| Functional Block Diagram .....                                   | 1  | MOD/R Register, R2 .....                                     | 13 |
| Revision History .....   | 2  | Function Register, R3.....                                   | 15 |
| Specifications.....  | 3  | CLK DIV Register, R4.....                                    | 16 |
| Timing Specifications .....                                      | 4  | Reserved Bits.....   | 16 |
| Absolute Maximum Ratings.....                                    | 5  | Initialization Sequence .....                                | 16 |
| Thermal Impedance .....  | 5  | RF Synthesizer: A Worked Example.....                        | 17 |
| ESD Caution.....   | 5  | Modulus.....   | 17 |
| Pin Configurations and Function Descriptions .....               | 6  | Reference Doubler and Reference Divider .....                | 17 |
| Typical Performance Characteristics .....                        | 7  | 12-Bit Programmable Modulus.....                             | 17 |
| Circuit Description.....   | 8  | Fast Lock Times with the ADF4156 .....                       | 17 |
| Reference Input Section.....                                     | 8  | Spur Mechanisms .....  | 19 |
| RF Input Stage.....  | 8  | Spur Consistency and Fractional Spur Optimization .....      | 19 |
| RF INT Divider.....  | 8  | Phase Resync.....  | 20 |
| INT, FRAC, MOD, and R Relationship .....                         | 8  | Low Frequency Applications .....                             | 20 |
| RF R-Counter.....  | 8  | Filter Design—ADIsimPLL.....                                 | 20 |
| Phase Frequency Detector (PFD) and Charge Pump.....              | 9  | Interfacing .....  | 21 |
| MUXOUT and Lock Detect.....                                      | 9  | PCB Design Guidelines for Chip Scale Package .....           | 21 |
| Input Shift Registers.....                                       | 9  | Outline Dimensions.....                                      | 22 |
| Program Modes .....  | 9  | Ordering Guide .....   | 22 |
| <b>REVISION HISTORY</b>  |    | Change to Program Modes Section .....                        | 9  |
| <b>10/13—Rev. D to Rev. E</b>                                    |    | Changes to Figure 16.....                                    | 10 |
| Changes to Table 3.....  | 5  | Changes to Figure 17.....                                    | 11 |
| Updated Outline Dimensions .....                                 | 22 | Changes to CSR Enable Section .....                          | 13 |
| Changes to Ordering Guide .....                                  | 22 | Changes to Figure 19.....                                    | 14 |
| <b>3/12—Rev. C to Rev. D</b>                                     |    | Changes to Function Register, R3 Section and Figure 20 ..... | 15 |
| Changes to Table 1.....  | 3  | Changes to 12-Bit Clock Divider Value Section, to            |    |
| Changes to Ordering Guide .....                                  | 22 | Clock Divider Mode Section, and to Figure 21 .....           | 16 |
| <b>9/11—Rev. B to Rev. C</b>                                     |    | Changes to Reference Doubler and Reference Divider Section   |    |
| Changes to Noise Characteristics Parameter .....                 | 3  | and to Fast Lock Times with the ADF4156 Section .....        | 17 |
| <b>4/11—Rev. A to Rev. B</b>                                     |    | Added Figure 22 and Figure 23; Renumbered Sequentially ..... | 19 |
| Changes to Product Title, Features Section and General           |    | Change to Phase Resync Section.....                          | 20 |
| Description Section.....   | 1  | Changes to Interfacing Section and to PCB Design Guidelines  |    |
| Changes to RF Input Frequency $RF_{IN}$ Parameter, Table 1 ..... | 3  | for Chip Scale Package Section.....                          | 21 |
| Changes to Figure 4 and Table 5.....                             | 6  | Changes to Outline Dimensions .....                          | 23 |
| <b>5/09—Rev. 0 to Rev. A</b>                                     |    | Changes to Ordering Guide .....                              | 23 |
| Added Low Power Sleep Mode Parameter and Changes to              |    | <b>5/06—Revision 0: Initial Version</b>                      |    |
| Endnote 4, Table 1 .....   | 3  |  |    |
| Change to Figure 9 Caption .....                                 | 7  |  |    |

## SPECIFICATIONS

$AV_{DD} = DV_{DD} = 2.7\text{ V to }3.3\text{ V}$ ,  $V_P = AV_{DD}$  to  $5.5\text{ V}$ ,  $AGND = DGND = 0\text{ V}$ ,  $T_A = T_{MIN}$  to  $T_{MAX}$ , dBm referred to  $50\ \Omega$ , unless otherwise noted.

Table 1.

| Parameter  | B Version             | Unit          | Test Conditions/Comments <sup>1</sup>  |
|--|-----------------------|---------------|--|
| <b>RF CHARACTERISTICS</b>  |                       |               |  |
| RF Input Frequency (RF <sub>IN</sub> )                           | 0.5/6.2               | GHz min/max   | –10 dBm min to 0 dBm max. For lower frequencies, ensure slew rate (SR) > 400 V/μs. |
| <b>REFERENCE CHARACTERISTICS</b>                                 |                       |               |  |
| REF <sub>IN</sub> Input Frequency                                | 10/250                | MHz min/max   | For f < 10 MHz, use a dc-coupled CMOS-compatible square wave, slew rate > 25 V/μs. |
| REF <sub>IN</sub> Input Sensitivity                              | 0.4/AV <sub>DD</sub>  | V p-p min/max | Biased at AV <sub>DD</sub> /2. <sup>2</sup>  |
| REF <sub>IN</sub> Input Capacitance                              | 10                    | pF max        |  |
| REF <sub>IN</sub> Input Current                                  | ±100                  | μA max        |  |
| <b>PHASE DETECTOR</b>  |                       |               |  |
| Phase Detector Frequency <sup>3</sup>                            | 32                    | MHz max       |  |
| <b>CHARGE PUMP</b>   |                       |               |  |
| I <sub>CP</sub> Sink/Source                                      |                       |               | Programmable.  |
| High Value   | 5                     | mA typ        | With R <sub>SET</sub> = 5.1 kΩ.  |
| Low Value  | 312.5                 | μA typ        |  |
| Absolute Accuracy  | 2.5                   | % typ         | With R <sub>SET</sub> = 5.1 kΩ.  |
| R <sub>SET</sub> Range   | 2.7/10                | kΩ min/max    |  |
| I <sub>CP</sub> Three-State Leakage Current                      | 1                     | nA typ        | Sink and source current.   |
| Matching   | 2                     | % typ         | 0.5 V < V <sub>CP</sub> < V <sub>P</sub> – 0.5.                                    |
| I <sub>CP</sub> vs. V <sub>CP</sub>                              | 2                     | % typ         | 0.5 V < V <sub>CP</sub> < V <sub>P</sub> – 0.5.                                    |
| I <sub>CP</sub> vs. Temperature                                  | 2                     | % typ         | V <sub>CP</sub> = V <sub>P</sub> /2.   |
| <b>LOGIC INPUTS</b>  |                       |               |  |
| V <sub>INH</sub> , Input High Voltage                            | 1.4                   | V min         |  |
| V <sub>INL</sub> , Input Low Voltage                             | 0.6                   | V max         |  |
| I <sub>INH</sub> /I <sub>INL</sub> , Input Current               | ±1                    | μA max        |  |
| C <sub>IN</sub> , Input Capacitance                              | 10                    | pF max        |  |
| <b>LOGIC OUTPUTS</b>   |                       |               |  |
| V <sub>OH</sub> , Output High Voltage                            | 1.4                   | V min         | Open-drain output chosen; 1 kΩ pull-up to 1.8 V.                                   |
| V <sub>OH</sub> , Output High Voltage                            | V <sub>DD</sub> – 0.4 | V min         | CMOS output chosen.  |
| I <sub>OH</sub> , Output High Current                            | 100                   | μA max        |  |
| V <sub>OL</sub> , Output Low Voltage                             | 0.4                   | V max         | I <sub>OL</sub> = 500 μA.  |
| <b>POWER SUPPLIES</b>  |                       |               |  |
| AV <sub>DD</sub>   | 2.7/3.3               | V min/max     |  |
| DV <sub>DD</sub>   | AV <sub>DD</sub>      |               |  |
| V <sub>P</sub>   | AV <sub>DD</sub> /5.5 | V min/max     |  |
| I <sub>DD</sub>  | 32                    | mA max        | 26 mA typical.   |
| Low Power Sleep Mode   | 1                     | μA typ        |  |
| <b>NOISE CHARACTERISTICS</b>                                     |                       |               |  |
| Normalized Phase Noise Floor (PN <sub>SYNTH</sub> ) <sup>4</sup> | –220                  | dBc/Hz typ    | PLL loop BW = 500 kHz. Measured at 100 kHz offset.                                 |
| Normalized 1/f Noise (PN <sub>1/f</sub> ) <sup>5</sup>           | –110                  | dBc/Hz typ    | 10 kHz offset; normalized to 1 GHz.  |
| Phase Noise Performance <sup>6</sup>                             |                       |               | At VCO output.   |
| 5800 MHz Output <sup>7</sup>                                     | –89                   | dBc/Hz typ    | At 5 kHz offset, 25 MHz PFD frequency.   |

<sup>1</sup> Operating temperature for B version: –40°C to +85°C.

<sup>2</sup> AC coupling ensures AV<sub>DD</sub>/2 bias.

<sup>3</sup> Guaranteed by design. Sample tested to ensure compliance.

<sup>4</sup> The synthesizer phase noise floor is estimated by measuring the in-band phase noise at the output of the VCO and subtracting 20 log(N) (where N is the N divider value) and 10 log(F<sub>PFD</sub>). PN<sub>SYNTH</sub> = PN<sub>TOT</sub> – 10 log(F<sub>PFD</sub>) – 20 log(N).

<sup>5</sup> The PLL phase noise is composed of 1/f (flicker) noise plus the normalized PLL noise floor. The formula for calculating the 1/f noise contribution at an RF frequency, F<sub>RF</sub>, and at a frequency offset f is given by PN = PN<sub>1/f</sub> + 10 log(10 kHz/f) + 20 log(F<sub>RF</sub>/1 GHz). Both the normalized phase noise floor and flicker noise are modeled in ADIsimPLL.

<sup>6</sup> The phase noise is measured with the EV-ADF4156SD1Z evaluation board and the Agilent E5500 phase noise system.

<sup>7</sup> f<sub>REFIN</sub> = 100 MHz, f<sub>PFD</sub> = 25 MHz, offset frequency = 5 kHz, RF<sub>OUT</sub> = 5800 MHz, N = 232, loop bandwidth = 20 kHz, I<sub>CP</sub> = 313 μA, and lowest noise mode.

**TIMING SPECIFICATIONS**

$AV_{DD} = DV_{DD} = 2.7\text{ V to }3.3\text{ V}$ ,  $V_P = AV_{DD}$  to  $5.5\text{ V}$ ,  $AGND = DGND = 0\text{ V}$ ,  $T_A = T_{MIN}$  to  $T_{MAX}$ , dBm referred to  $50\ \Omega$ , unless otherwise noted.

Table 2.

| Parameter | Limit at $T_{MIN}$ to $T_{MAX}$ (B Version) | Unit   | Test Conditions/Comments |
|-----------|---|--------|--------------------------|
| $t_1$     | 20  | ns min | LE setup time            |
| $t_2$     | 10  | ns min | DATA to CLOCK setup time |
| $t_3$     | 10  | ns min | DATA to CLOCK hold time  |
| $t_4$     | 25  | ns min | CLOCK high duration      |
| $t_5$     | 25  | ns min | CLOCK low duration       |
| $t_6$     | 10  | ns min | CLOCK to LE setup time   |
| $t_7$     | 20  | ns min | LE pulse width           |

**Timing Diagram**

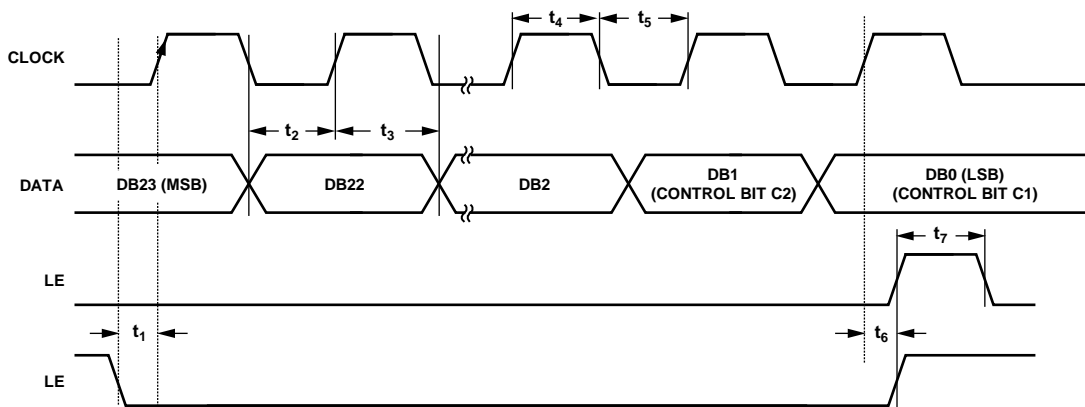


Figure 2. Timing Diagram

059863-002

## ABSOLUTE MAXIMUM RATINGS

$T_A = 25^\circ\text{C}$ , GND = AGND = DGND = 0 V,  $V_{DD} = AV_{DD} = DV_{DD}$ , unless otherwise noted.

**Table 3.**

| Parameter                                   | Rating                     |
|---|----------------------------|
| $V_{DD}$ to GND                             | -0.3 V to +4 V             |
| $V_{DD}$ to $V_{DD}$                        | -0.3 V to +0.3 V           |
| $V_P$ to GND                                | -0.3 V to +5.8 V           |
| $V_P$ to $V_{DD}$                           | -0.3 V to +5.8 V           |
| Digital I/O Voltage to GND                  | -0.3 V to $V_{DD} + 0.3$ V |
| Analog I/O Voltage to GND                   | -0.3 V to $V_{DD} + 0.3$ V |
| REF <sub>IN</sub> , RF <sub>IN</sub> to GND | -0.3 V to $V_{DD} + 0.3$ V |
| RF <sub>IN</sub> A to RF <sub>IN</sub> B    | ±600 mV                    |
| Operating Temperature Range                 |                            |
| Industrial (B Version)                      | -40°C to +85°C             |
| Storage Temperature Range                   | -65°C to +125°C            |
| Maximum Junction Temperature                | 150°C                      |
| Reflow Soldering                            |                            |
| Peak Temperature                            | 260°C                      |
| Time at Peak Temperature                    | 40 sec                     |
| Maximum Junction Temperature                | 150°C                      |

Stresses above those listed under Absolute Maximum Ratings may cause permanent damage to the device. This is a stress rating only; functional operation of the device at these or any other conditions above those indicated in the operational section of this specification is not implied. Exposure to absolute maximum rating conditions for extended periods may affect device reliability.

This device is a high performance RF integrated circuit with an ESD rating of <2 kV, and it is ESD sensitive. Proper precautions should be taken for handling and assembly.

## THERMAL IMPEDANCE

**Table 4. Thermal Impedance**

| Package Type               | $\theta_{JA}$ | Unit |
|----------------------------|---------------|------|
| TSSOP                      | 112           | °C/W |
| LFCSP_VQ (Paddle Soldered) | 30.4          | °C/W |

## ESD CAUTION



**ESD (electrostatic discharge) sensitive device.** Charged devices and circuit boards can discharge without detection. Although this product features patented or proprietary protection circuitry, damage may occur on devices subjected to high energy ESD. Therefore, proper ESD precautions should be taken to avoid performance degradation or loss of functionality.

### PIN CONFIGURATIONS AND FUNCTION DESCRIPTIONS

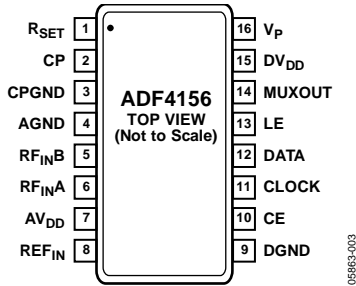
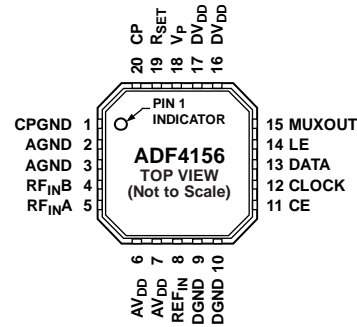


Figure 3. TSSOP Pin Configuration



NOTES  
1. THE EXPOSED PAD MUST BE CONNECTED TO GROUND.

Figure 4. LFCSP Pin Configuration

Table 5. Pin Function Descriptions

| Pin No. |        | Mnemonic          | Description  |
|---------|--------|-------------------|--|
| TSSOP   | LFCSP  |                   |  |
| 1       | 19     | R <sub>SET</sub>  | Connecting a resistor between this pin and ground sets the maximum charge-pump output current. The relationship between I <sub>CP</sub> and R <sub>SET</sub> is<br>$I_{CPmax} = \frac{25.5}{R_{SET}}$ where R <sub>SET</sub> = 5.1 kΩ and I <sub>CPmax</sub> = 5 mA. |
| 2       | 20     | CP                | Charge-Pump Output. When enabled, this pin provides ±I <sub>CP</sub> to the external loop filter, which in turn drives the external VCO.   |
| 3       | 1      | CPGND             | Charge-Pump Ground. This is the ground return path for the charge pump.  |
| 4       | 2, 3   | AGND              | Analog Ground. This is the ground return path of the prescaler.  |
| 5       | 4      | RF <sub>INB</sub> | Complementary Input to the RF Prescaler. Decouple this point to the ground plane with a small bypass capacitor, typically 100 pF.  |
| 6       | 5      | RF <sub>INA</sub> | Input to the RF Prescaler. This small-signal input is normally ac-coupled from the VCO.  |
| 7       | 6, 7   | AV <sub>DD</sub>  | Positive Power Supply for the RF Section. Decoupling capacitors to the digital ground plane should be placed as close as possible to this pin. AV <sub>DD</sub> has a value of 3 V ± 10%. AV <sub>DD</sub> must have the same voltage as DV <sub>DD</sub> .          |
| 8       | 8      | REF <sub>IN</sub> | Reference Input. This is a CMOS input with a nominal threshold of V <sub>DD</sub> /2 and an equivalent input resistance of 100 kΩ. This input can be driven from a TTL or CMOS crystal oscillator, or it can be ac-coupled.  |
| 9       | 9, 10  | DGND              | Digital Ground.  |
| 10      | 11     | CE                | Chip Enable. A logic low on this pin powers down the device and puts the charge-pump output into three-state mode.   |
| 11      | 12     | CLOCK             | Serial Clock Input. This serial clock is used to clock in the serial data to the registers. The data is latched into the shift register on the CLOCK rising edge. This input is a high impedance CMOS input.   |
| 12      | 13     | DATA              | Serial Data Input. The serial data is loaded MSB first with the three LSBs serving as the control bits. This input is a high impedance CMOS input.   |
| 13      | 14     | LE                | Load Enable, CMOS Input. When LE is high, the data stored in the shift registers is loaded into one of the five latches. The control bits are used to select the latch.  |
| 14      | 15     | MUXOUT            | Multiplexer Output. This multiplexer output allows either the RF lock detect, the scaled RF, or the scaled reference frequency to be accessed externally.  |
| 15      | 16, 17 | DV <sub>DD</sub>  | Positive Power Supply for the Digital Section. Decoupling capacitors to the digital ground plane should be placed as close as possible to this pin. DV <sub>DD</sub> has a value of 3 V ± 10%. DV <sub>DD</sub> must have the same voltage as AV <sub>DD</sub> .     |
| 16      | 18     | V <sub>P</sub>    | Charge-Pump Power Supply. This should be greater than or equal to V <sub>DD</sub> . In systems where V <sub>DD</sub> is 3 V, it can be set to 5.5 V and used to drive a VCO with a tuning range of up to 5.5 V.  |
|         |        | EPAD              | The exposed pad must be connected to ground.   |

# TYPICAL PERFORMANCE CHARACTERISTICS

PF<sub>D</sub> = 25 MHz, loop bandwidth = 20 kHz, reference = 100 MHz, I<sub>CP</sub> = 313 μA, phase noise measurements taken on the Agilent E5500 phase noise system.

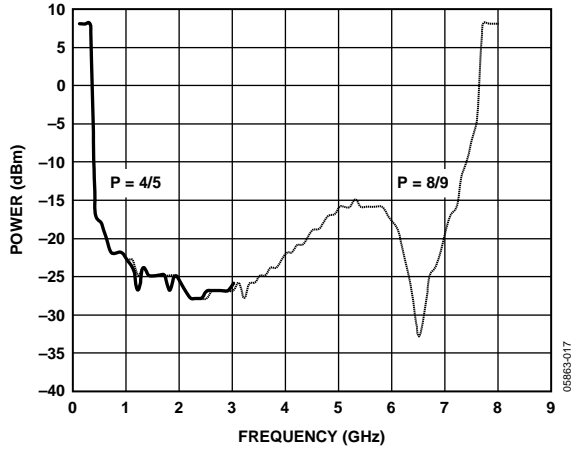


Figure 5. RF Input Sensitivity

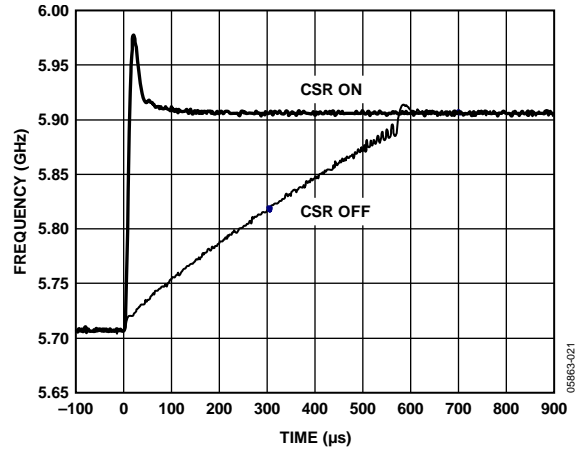


Figure 8. Lock Time for 200 MHz Jump, from 5705 MHz to 5905 MHz, with CSR On and Off

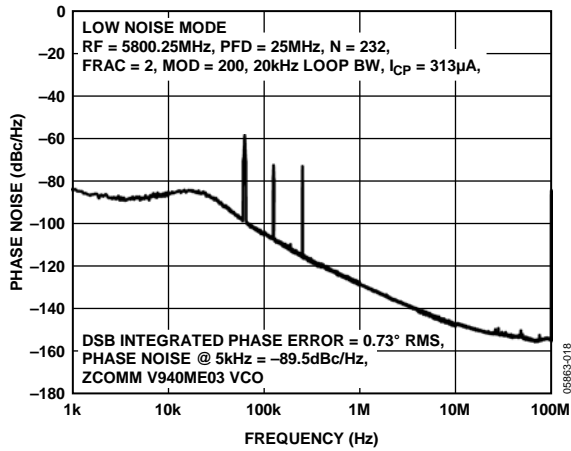


Figure 6. Phase Noise and Spurs, Low Noise Mode

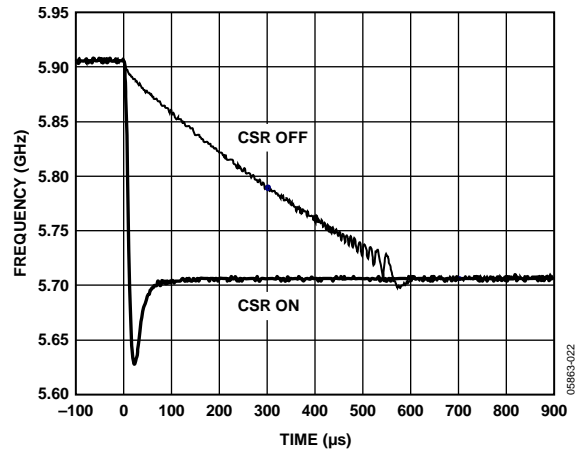


Figure 9. Lock Time for 200 MHz Jump, from 5905 MHz to 5705 MHz, with CSR On and Off

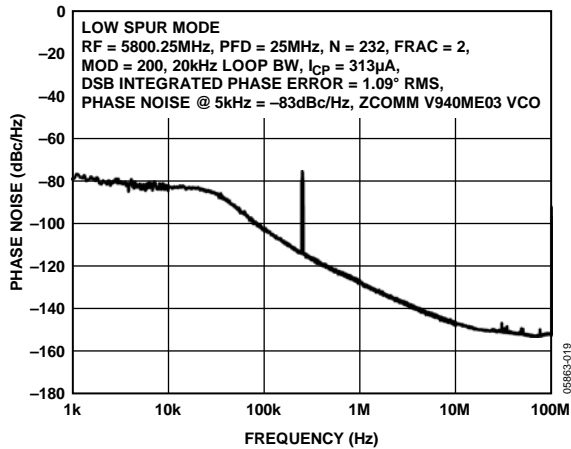


Figure 7. Phase Noise and Spurs, Low Spur Mode (Note that Fractional Spurs Are Removed and Only the Integer Boundary Spur Remains in Low Spur Mode)

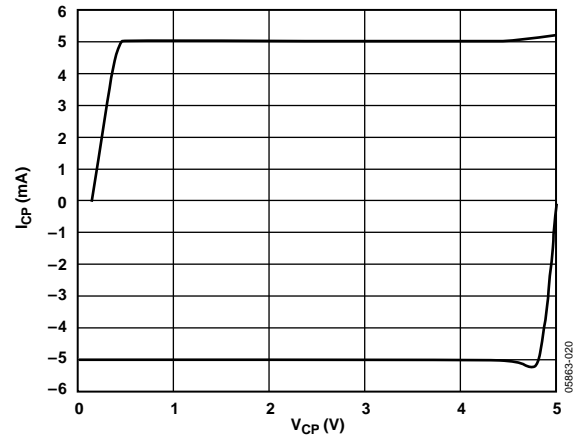


Figure 10. Charge-Pump Output Characteristics

## CIRCUIT DESCRIPTION

### REFERENCE INPUT SECTION

The reference input stage is shown in Figure 11. While the device is operating, SW1 and SW2 are usually closed switches and SW3 is open. When a power-down is initiated, SW3 is closed and SW1 and SW2 are opened. This ensures that the REF<sub>IN</sub> pin is not loaded while the device is powered down.

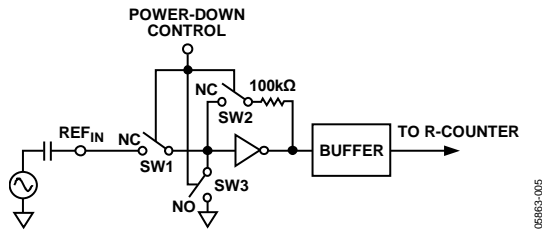


Figure 11. Reference Input Stage

### RF INPUT STAGE

The RF input stage is shown in Figure 12. It is followed by a two-stage limiting amplifier to generate the current-mode logic (CML) clock levels needed for the prescaler.

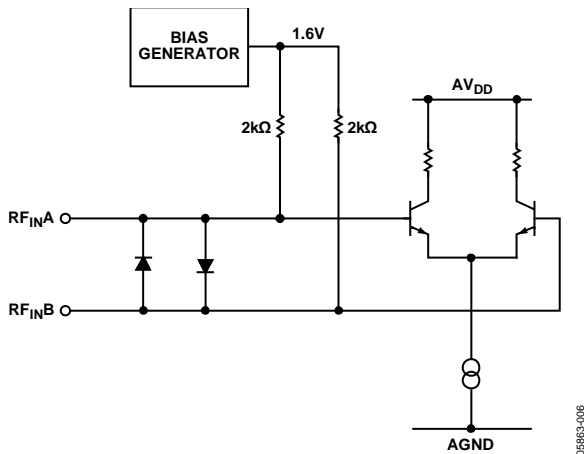


Figure 12. RF Input Stage

### RF INT DIVIDER

The RF INT counter allows a division ratio in the PLL feedback counter. Division ratios from 23 to 4095 are allowed.

### INT, FRAC, MOD, AND R RELATIONSHIP

The INT, FRAC, and MOD values, in conjunction with the R-counter, enable generating output frequencies that are spaced by fractions of the phase frequency detector (PFD). See the RF Synthesizer: A Worked Example section for more information. The RF VCO frequency (RF<sub>OUT</sub>) equation is

$$RF_{OUT} = F_{PFD} \times (INT + (FRAC/MOD)) \tag{1}$$

where RF<sub>OUT</sub> is the output frequency of an external voltage-controlled oscillator (VCO).

$$F_{PFD} = REF_{IN} \times [(1 + D)/(R \times (1 + T))] \tag{2}$$

where:

REF<sub>IN</sub> is the reference input frequency.

D is the REF<sub>IN</sub> doubler bit.

T is the REF<sub>IN</sub> divide-by-2 bit (0 or 1).

R is the preset divide ratio of the binary 5-bit programmable reference counter (1 to 32).

INT is the preset divide ratio of the binary 12-bit counter (23 to 4095).

MOD is the preset fractional modulus (2 to 4095).

FRAC is the numerator of the fractional division (0 to MOD – 1).

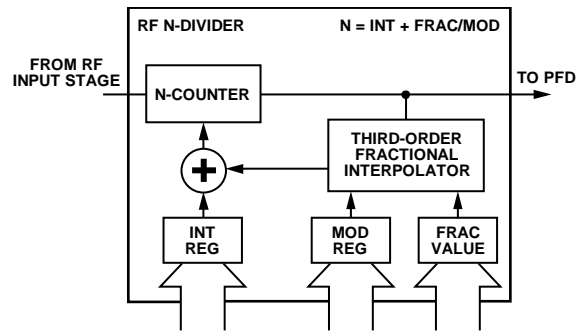


Figure 13. RF INT Divider

### RF R-COUNTER

The 5-bit RF R-counter allows the input reference frequency (REF<sub>IN</sub>) to be divided down to produce the reference clock to the PFD. Division ratios from 1 to 32 are allowed.



### PHASE FREQUENCY DETECTOR (PFD) AND CHARGE PUMP

The PFD takes inputs from the R-counter and N-counter and produces an output proportional to the phase and frequency difference between them. Figure 14 is a simplified schematic of the phase frequency detector. The PFD includes a fixed-delay element that sets the width of the antibacklash pulse, which is typically 3 ns. This pulse ensures that there is no dead zone in the PFD transfer function and results in a consistent reference spur level.

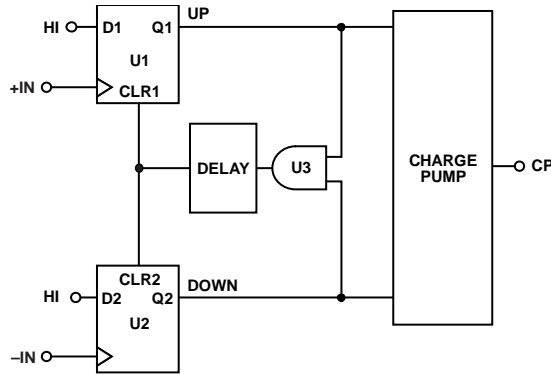


Figure 14. PFD Simplified Schematic

### MUXOUT AND LOCK DETECT

The output multiplexer on the ADF4156 allows the user to access various internal points on the chip. The state of MUXOUT is controlled by M4, M3, M2, and M1 (for details, see Figure 16). Figure 15 shows the MUXOUT section in block diagram form.

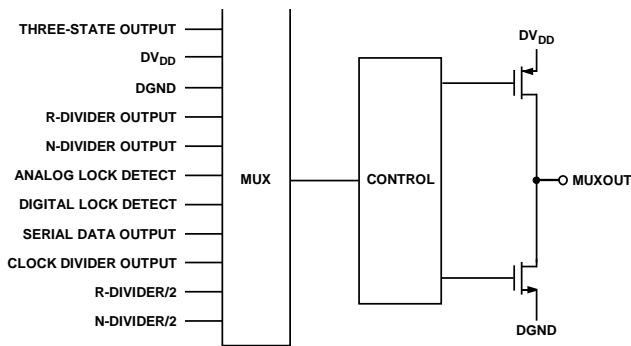


Figure 15. MUXOUT Schematic

### INPUT SHIFT REGISTERS

The ADF4156 digital section includes a 5-bit RF R-counter, a 12-bit RF N-counter, a 12-bit FRAC counter, and a 12-bit modulus counter. Data is clocked into the 32-bit shift register on each rising edge of CLOCK. The data is clocked in MSB first. Data is transferred from the shift register to one of five latches on the rising edge of LE. The destination latch is determined by the state of the three control bits (C3, C2, and C1) in the shift register. These bits are the three LSBs (DB2, DB1, and DB0), as shown in Figure 2. The truth table for these bits is shown in Table 6. Figure 16 shows a summary of how the latches are programmed.

### PROGRAM MODES

Table 6 and Figure 16 through Figure 21 show how to set up the program modes in the ADF4156.

Several settings in the ADF4156 are double buffered, including the modulus value, phase value, R-counter value, reference doubler, reference divide-by-2, and current setting. This means that two events must occur before the part can use a new value for any of the double buffered settings. The new value must first be latched into the device by writing to the appropriate register, and then a new write must be performed on Register R0. For example, after the modulus value is updated, Register R0 must be written to in order to ensure that the modulus value is loaded correctly.

Table 6. C3, C2, and C1 Truth Table

| Control Bits |    |    | Register    |
|--------------|----|----|-------------|
| C3           | C2 | C1 |             |
| 0            | 0  | 0  | Register R0 |
| 0            | 0  | 1  | Register R1 |
| 0            | 1  | 0  | Register R2 |
| 0            | 1  | 1  | Register R3 |
| 1            | 0  | 0  | Register R4 |

REGISTER MAPS

FRAC/INT REGISTER (R0)

| RE-SERVED | MUXOUT CONTROL |      |      |      | 12-BIT INTEGER VALUE (INT) |      |      |      |      |      |      |      |      |      |      |      | 12-BIT FRACTIONAL VALUE (FRAC) |      |      |      |      |     |     |     |     |     |     |     | CONTROL BITS |       |       |
|-----------|----------------|------|------|------|----------------------------|------|------|------|------|------|------|------|------|------|------|------|--------------------------------|------|------|------|------|-----|-----|-----|-----|-----|-----|-----|--------------|-------|-------|
| DB31      | DB30           | DB29 | DB28 | DB27 | DB26                       | DB25 | DB24 | DB23 | DB22 | DB21 | DB20 | DB19 | DB18 | DB17 | DB16 | DB15 | DB14                           | DB13 | DB12 | DB11 | DB10 | DB9 | DB8 | DB7 | DB6 | DB5 | DB4 | DB3 | DB2          | DB1   | DB0   |
| 0         | M4             | M3   | M2   | M1   | N12                        | N11  | N10  | N9   | N8   | N7   | N6   | N5   | N4   | N3   | N2   | N1   | F12                            | F11  | F10  | F9   | F8   | F7  | F6  | F5  | F4  | F3  | F2  | F1  | C3(0)        | C2(0) | C1(0) |

PHASE REGISTER (R1)

| RESERVED |      |      |      |      |      |      |      |      |      |      |      |      |      |      | 12-BIT PHASE VALUE (PHASE) <sup>1</sup> |      |      |      |      |      |      |     |     |     |     |     | CONTROL BITS |     |       |       |       |
|----------|------|------|------|------|------|------|------|------|------|------|------|------|------|------|---|------|------|------|------|------|------|-----|-----|-----|-----|-----|--------------|-----|-------|-------|-------|
| DB31     | DB30 | DB29 | DB28 | DB27 | DB26 | DB25 | DB24 | DB23 | DB22 | DB21 | DB20 | DB19 | DB18 | DB17 | DB16                                    | DB15 | DB14 | DB13 | DB12 | DB11 | DB10 | DB9 | DB8 | DB7 | DB6 | DB5 | DB4          | DB3 | DB2   | DB1   | DB0   |
| 0        | 0    | 0    | 0    | 0    | 0    | 0    | 0    | 0    | 0    | 0    | 0    | 0    | 0    | 0    | 0                                       | 0    | P12  | P11  | P10  | P9   | P8   | P7  | P6  | P5  | P4  | P3  | P2           | P1  | C3(0) | C2(0) | C1(1) |

MOD/R REGISTER (R2)

| RESERVED | NOISE MODE |      | CSR EN | CURRENT SETTING <sup>1</sup> |      |      |      | RESERVED | PRESCALER | RDIV <sup>2</sup> | REFERENCE DOUBLER <sup>1</sup> | 5-BIT R COUNTER <sup>1</sup> |      |      |      |      | 12-BIT MODULUS WORD <sup>1</sup> |      |      |      |      |     |     |     |     |     | CONTROL BITS |     |       |       |       |
|----------|------------|------|--------|------------------------------|------|------|------|----------|-----------|-------------------|--------------------------------|------------------------------|------|------|------|------|----------------------------------|------|------|------|------|-----|-----|-----|-----|-----|--------------|-----|-------|-------|-------|
| DB31     | DB30       | DB29 | DB28   | DB27                         | DB26 | DB25 | DB24 | DB23     | DB22      | DB21              | DB20                           | DB19                         | DB18 | DB17 | DB16 | DB15 | DB14                             | DB13 | DB12 | DB11 | DB10 | DB9 | DB8 | DB7 | DB6 | DB5 | DB4          | DB3 | DB2   | DB1   | DB0   |
| 0        | L2         | L1   | C1     | CPI4                         | CPI3 | CPI2 | CPI1 | 0        | P1        | U2                | U1                             | R5                           | R4   | R3   | R2   | R1   | M12                              | M11  | M10  | M9   | M8   | M7  | M6  | M5  | M4  | M3  | M2           | M1  | C3(0) | C2(1) | C1(0) |

FUNCTION REGISTER (R3)

| RESERVED |      |      |      |      |      |      |      |      |      |      |      |      |      |      | ΣA RESET | RESERVED |      |      |      |      |      |     |     |     |     | LDP | PD POLARITY | PD  | CP THREE-STATE | COUNTER RESET | CONTROL BITS |       |       |       |
|----------|------|------|------|------|------|------|------|------|------|------|------|------|------|------|----------|----------|------|------|------|------|------|-----|-----|-----|-----|-----|-------------|-----|----------------|---------------|--------------|-------|-------|-------|
| DB31     | DB30 | DB29 | DB28 | DB27 | DB26 | DB25 | DB24 | DB23 | DB22 | DB21 | DB20 | DB19 | DB18 | DB17 | DB16     | DB15     | DB14 | DB13 | DB12 | DB11 | DB10 | DB9 | DB8 | DB7 | DB6 | DB5 | DB4         | DB3 | DB2            | DB1           | DB0          |       |       |       |
| 0        | 0    | 0    | 0    | 0    | 0    | 0    | 0    | 0    | 0    | 0    | 0    | 0    | 0    | 0    | 0        | 0        | U12  | 0    | 0    | 0    | 0    | 0   | 0   | 0   | 0   | 0   | 0           | 0   | 0              | 0             | 0            | C3(0) | C2(1) | C1(1) |

CLK DIV REGISTER (R4)

| RESERVED |      |      |      |      |      |      |      |      |      |      | CLK DIV MODE | 12-BIT CLOCK DIVIDER VALUE |      |      |      |      |      |      |      |      |      |     |     | RESERVED |     |     |     | CONTROL BITS |       |       |       |
|----------|------|------|------|------|------|------|------|------|------|------|--------------|----------------------------|------|------|------|------|------|------|------|------|------|-----|-----|----------|-----|-----|-----|--------------|-------|-------|-------|
| DB31     | DB30 | DB29 | DB28 | DB27 | DB26 | DB25 | DB24 | DB23 | DB22 | DB21 | DB20         | DB19                       | DB18 | DB17 | DB16 | DB15 | DB14 | DB13 | DB12 | DB11 | DB10 | DB9 | DB8 | DB7      | DB6 | DB5 | DB4 | DB3          | DB2   | DB1   | DB0   |
| 0        | 0    | 0    | 0    | 0    | 0    | 0    | 0    | 0    | 0    | 0    | M2           | M1                         | D12  | D11  | D10  | D9   | D8   | D7   | D6   | D5   | D4   | D3  | D2  | D1       | 0   | 0   | 0   | 0            | C3(1) | C2(0) | C1(0) |

<sup>1</sup>DOUBLE BUFFERED BIT.

Figure 16. Register Summary

03963-010

**FRAC/INT REGISTER, R0**

With the control bits (Bits[2:0]) of Register R0 set to 000, the on-chip FRAC/INT register is programmed. Figure 17 shows the input data format for programming this register.

**12-Bit Integer Value (INT)**

These 12 bits control what is loaded as the INT value. This determines the overall feedback division factor. It is used in Equation 1 (see the INT, FRAC, MOD, and R Relationship section).

**12-Bit Fractional Value (FRAC)**

These 12 bits control what is loaded as the FRAC value into the fractional interpolator. This is part of what determines the overall feedback division factor. It is also used in Equation 1. The FRAC value must be less than the value loaded into the MOD register.

**MUXOUT**

The on-chip multiplexer is controlled by DB30, DB29, DB28, and DB27 on the ADF4156. See Figure 17 for the truth table.

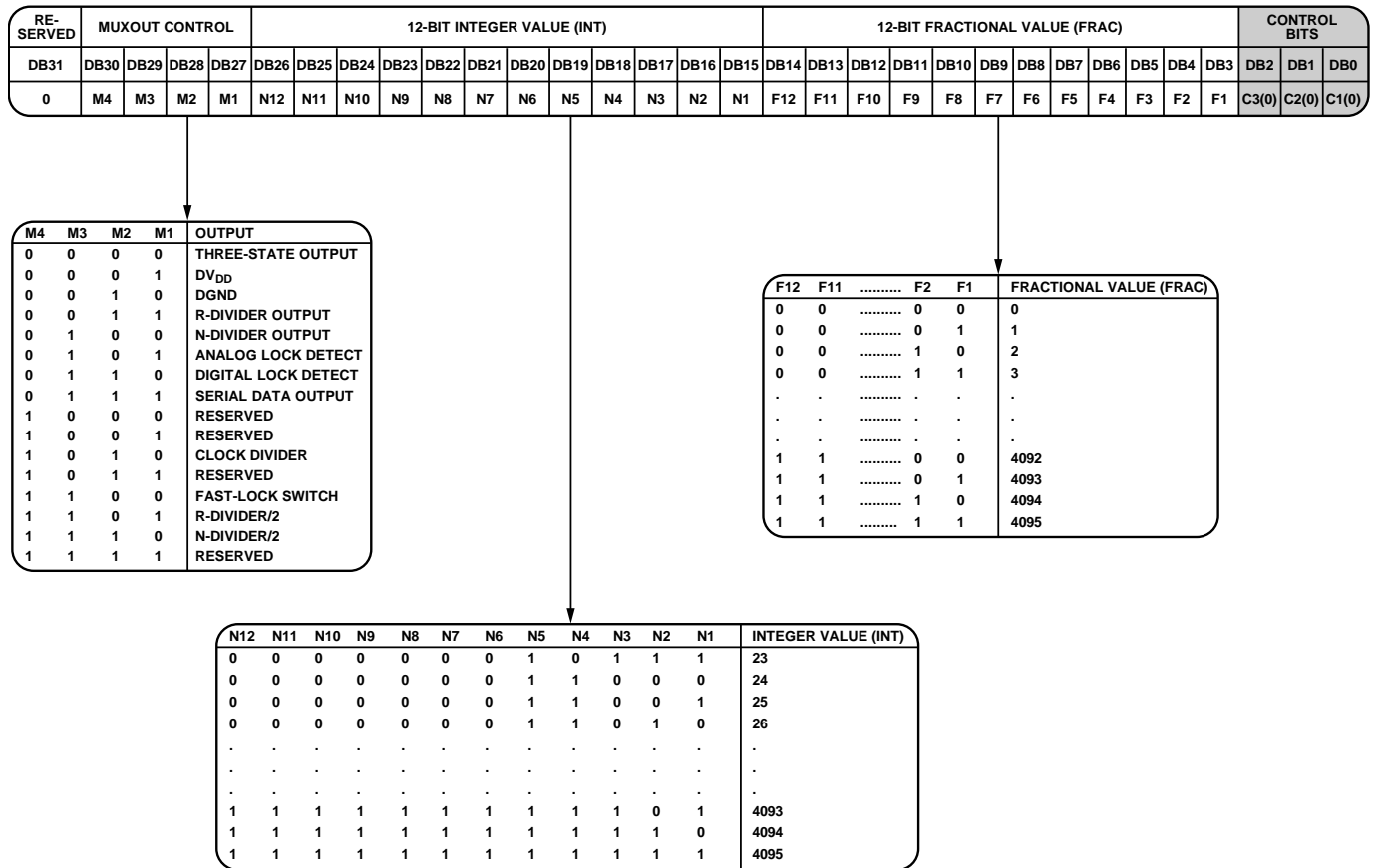


Figure 17. FRAC/INT Register (R0) Map

05863-011

**PHASE REGISTER, R1**

With the control bits (Bits[2:0]) of Register R1 set to 001, the on-chip phase register is programmed. Figure 18 shows the input data format for programming this register.

**12-Bit Phase Value**

These 12 bits control what is loaded as the phase word. The word must be less than the MOD value programmed in the MOD/R register (R2). The word is used to program the RF output phase from 0° to 360° with a resolution of 360°/MOD.

See the Phase Resync section for more information. In most applications, the phase relationship between the RF signal and the reference is not important. In such applications, the phase value can be used to optimize the fractional and subfractional spur levels. See the Spur Consistency and Fractional Spur Optimization section for more information.

If neither the phase resync nor the spurious optimization functions are being used, it is recommended that the phase value be set to 1.

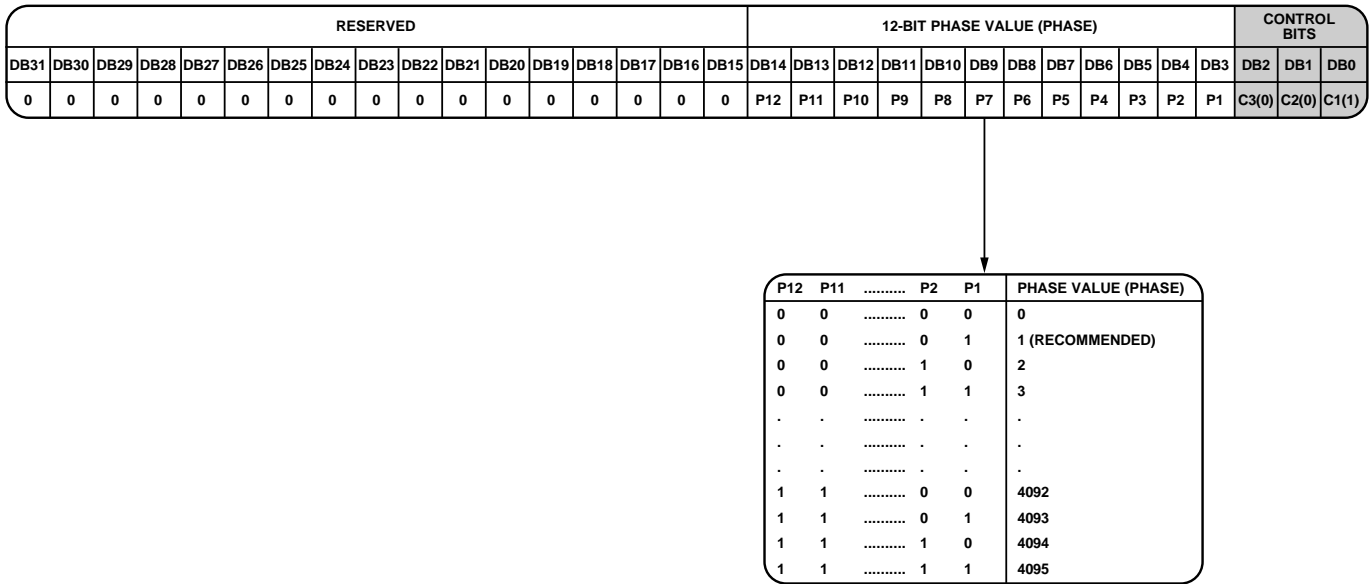


Figure 18. Phase Register (R1) Map

05963-012

## MOD/R REGISTER, R2

With the control bits (Bits[2:0]) of Register R1 set to 010, the on-chip MOD/R register is programmed. Figure 19 shows the input data format for programming this register.

### Noise and Spur Mode

The noise modes on the ADF4156 are controlled by DB30 and DB29 in the MOD/R register. See Figure 19 for the truth table. The noise modes allow the user to optimize a design either for improved spurious performance or for improved phase noise performance.

When the lowest spur setting is chosen, dither is enabled. This randomizes the fractional quantization noise so that it resembles white noise, rather than spurious noise. As a result, the part is optimized for improved spurious performance. This operation is typically used when the PLL closed-loop bandwidth is wide for fast-locking applications. Wide loop bandwidth is defined as a loop bandwidth greater than 1/10 of the RF<sub>OUT</sub> channel step resolution ( $f_{RES}$ ). A wide loop filter does not attenuate the spurs to the same level as a narrow loop bandwidth.

For best noise performance, use the lowest noise setting option. As well as disabling the dither, using the lowest noise setting ensures that the charge pump is operating in an optimum region for noise performance. This setting is useful if a narrow loop filter bandwidth is available. The synthesizer ensures extremely low noise, and the filter attenuates the spurs. The typical performance characteristics show the trade-offs in a typical WCDMA setup for various noise and spur settings.

### CSR Enable

Setting this bit to 1 enables cycle slip reduction, which can improve lock times. Note that the signal at the phase frequency detector (PFD) must have a 50% duty cycle for cycle slip reduction to work. The charge-pump current setting must also be set to a minimum value. See the Fast Lock Times section for more information. Note that CSR cannot be used if the phase detector polarity is set to negative.

### Charge-Pump Current Setting

DB[27:24] set the charge-pump current setting. These bits should be set to the charge-pump current as indicated by the loop filter design (see Figure 19).

### Prescaler (P/P + 1)

The dual-modulus prescaler ( $P/P + 1$ ), along with the INT, FRAC, and MOD counters, determines the overall division ratio from the RF<sub>IN</sub> to the PFD input.

Operating at CML levels, the prescaler uses the clock from the RF input stage and divides it down for the counters. The prescaler is based on a synchronous 4/5 core. When it is set to 4/5, the maximum RF frequency allowed is 3 GHz. Therefore, when operating the ADF4156 with frequencies greater than 3 GHz, the prescaler must be set to 8/9. The prescaler limits the INT value as follows:

$$\text{With } P = 4/5, N_{MIN} = 23$$

$$\text{With } P = 8/9, N_{MIN} = 75$$

### RDIV/2

Setting this bit to 1 inserts a divide-by-2 toggle flip-flop between the R-counter and PFD, which extends the maximum REF<sub>IN</sub> input rate.

### Reference Doubler

Setting DB20 to 0 feeds the REF<sub>IN</sub> signal directly into the 5-bit RF R-counter, disabling the doubler. Setting this bit to 1 multiplies the REF<sub>IN</sub> frequency by a factor of 2 before feeding it into the 5-bit R-counter. When the doubler is disabled, the REF<sub>IN</sub> falling edge is the active edge at the PFD input to the fractional synthesizer. When the doubler is enabled, both the rising and falling edges of REF<sub>IN</sub> become active edges at the PFD input.

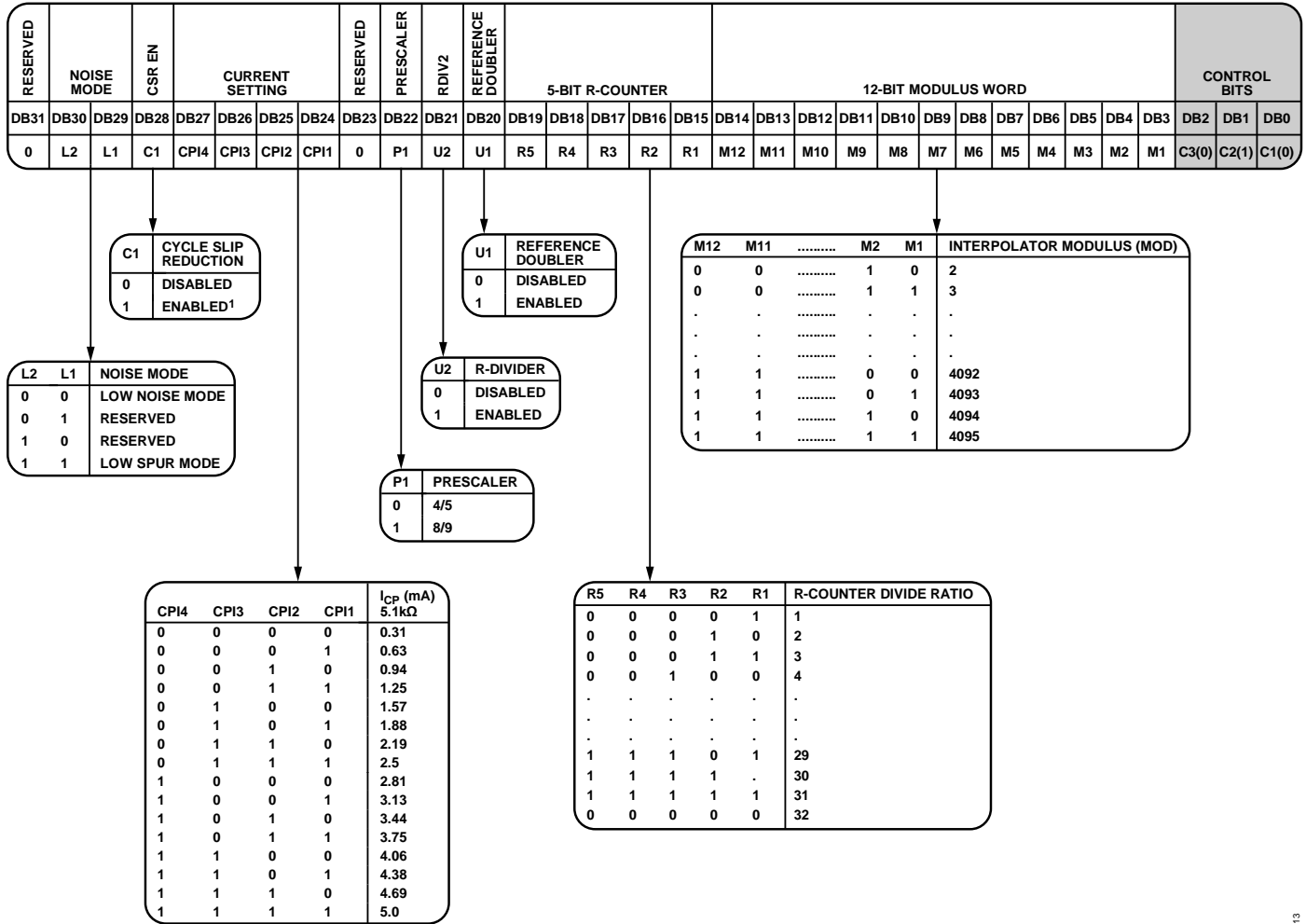
When the doubler is enabled and the lowest spur mode is chosen, the in-band phase noise performance is sensitive to the REF<sub>IN</sub> duty cycle. The phase noise degradation can be as much as 5 dB for REF<sub>IN</sub> duty cycles that are outside a 45% to 55% range. The phase noise is insensitive to the REF<sub>IN</sub> duty cycle when the device is in the lowest noise mode and when the doubler is disabled. The maximum allowable REF<sub>IN</sub> frequency when the doubler is enabled is 30 MHz.

### 5-Bit R-Counter

The 5-bit R-counter allows the input reference frequency (REF<sub>IN</sub>) to be divided down to produce the reference clock to the phase frequency detector (PFD). Division ratios from 1 to 32 are allowed.

### 12-Bit Interpolator MOD Value

This programmable register sets the fractional modulus, which is the ratio of the PFD frequency to the channel step resolution on the RF output. Refer to the RF Synthesizer: A Worked Example section for more information.



<sup>1</sup>CYCLE SLIP REDUCTION CANNOT BE USED IF THE PHASE DETECTOR POLARITY IS SET TO NEGATIVE.

Figure 19. MOD/R Register (R2) Map

### FUNCTION REGISTER, R3

With the control bits (Bits[2:0]) of Register R2 set to 011, the on-chip function register is programmed. Figure 20 shows the input data format for programming this register.

#### Counter Reset

DB3 is the counter reset bit for the ADF4156. When this bit is set to 1, the synthesizer counters are held in reset. For normal operation, this bit should be 0.

#### Charge-Pump Three-State

When programmed to 1, DB4 puts the charge pump into three-state mode. This bit should be set to 0 for normal operation.

#### Power-Down

DB5 on the ADF4156 provides the programmable power-down mode. Setting this bit to 1 performs a power-down. Setting this bit to 0 returns the synthesizer to normal operation. While in software power-down mode, the part retains all information in its registers. Only when supplies are removed are the register contents lost.

When a power-down is activated, the following events occur:

1. The synthesizer counters are forced to their load state conditions.
2. The charge pump is forced into three-state mode.
3. The digital lock detect circuitry is reset.
4. The RF<sub>IN</sub> input is debiased.
5. The input register remains active and capable of loading and latching data.

#### Phase Detector Polarity

DB6 in the ADF4156 sets the phase detector polarity. When the VCO characteristics are positive, this bit should be set to 1. When the characteristics are negative, DB6 should be set to 0. Note that the cycle slip reduction function cannot be used if the phase detector polarity is set to negative.

#### Lock Detect Precision (LDP)

When DB7 is programmed to 0, the digital lock detect is set high when the phase error on 40 consecutive phase detector cycles is less than 10 ns each. When this bit is programmed to 1, 40 consecutive phase detector cycles of less than 6 ns each must occur before the digital lock detect is set.

#### Σ-Δ Reset

For most applications, DB14 should be programmed to 0. When DB14 is programmed to 0, the Σ-Δ modulator is reset to its starting point, or starting phase word, on every write to Register R0. This has the effect of producing consistent spur levels.

If it is not required that the Σ-Δ modulator be reset on each write to Register R0, DB14 should be set to 1.

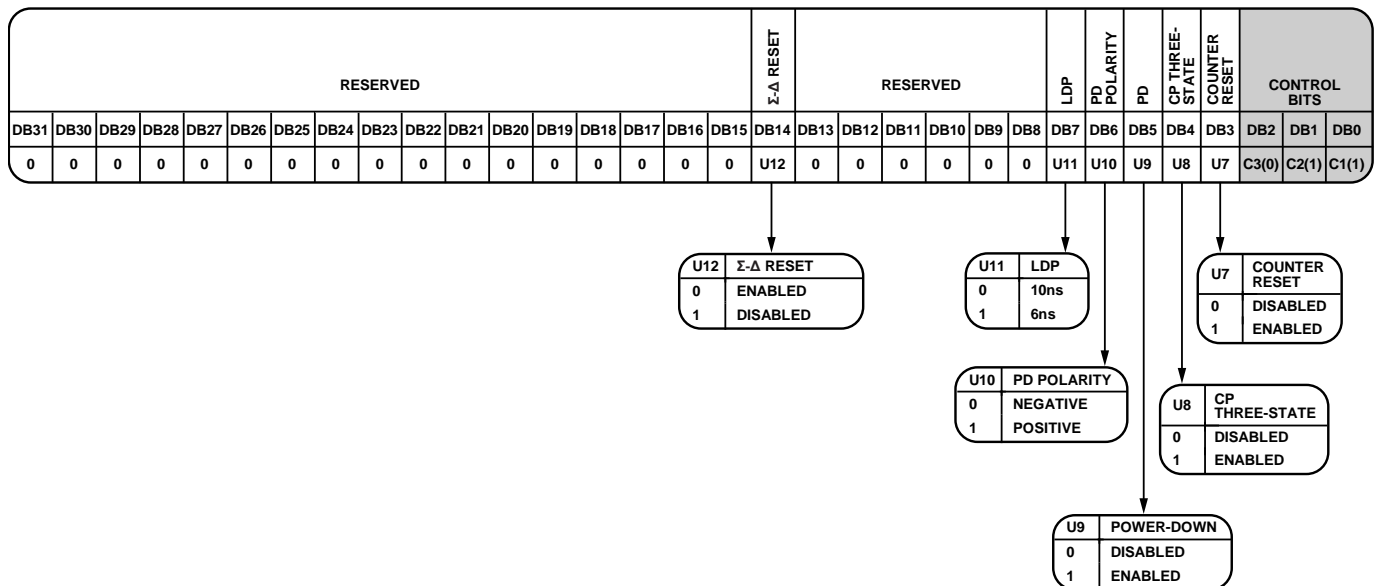


Figure 20. Function Register (R3) Map

**CLK DIV REGISTER, R4**

With the control bits (Bits[2:0]) of Register R3 set to 100, the on-chip clock divider register (R4) is programmed. Figure 21 shows the input data format for programming this register.

**12-Bit Clock Divider Value**

The 12-bit clock divider value sets the timeout counter for activation of the fast-lock mode or a phase resync. See the Phase Resync section for more information.

**Clock Divider Mode**

DB[20:19] control the mode of the clock divider in the ADF4156. These bits should be set to 01 to activate the fast-lock mode, or to 10 to activate a phase resync. In most applications, neither a fast lock nor a phase resync is required. In this case, DB[20:19] should be set to 00.

**RESERVED BITS**

All reserved bits should be set to 0 for normal operation.

**INITIALIZATION SEQUENCE**

After powering up the part, the correct register programming sequence is as follows:

1. CLK DIV register (R4)
2. Function register (R3)
3. MOD/R register (R2)
4. Phase register (R1)
5. FRAC/INT register (R0)

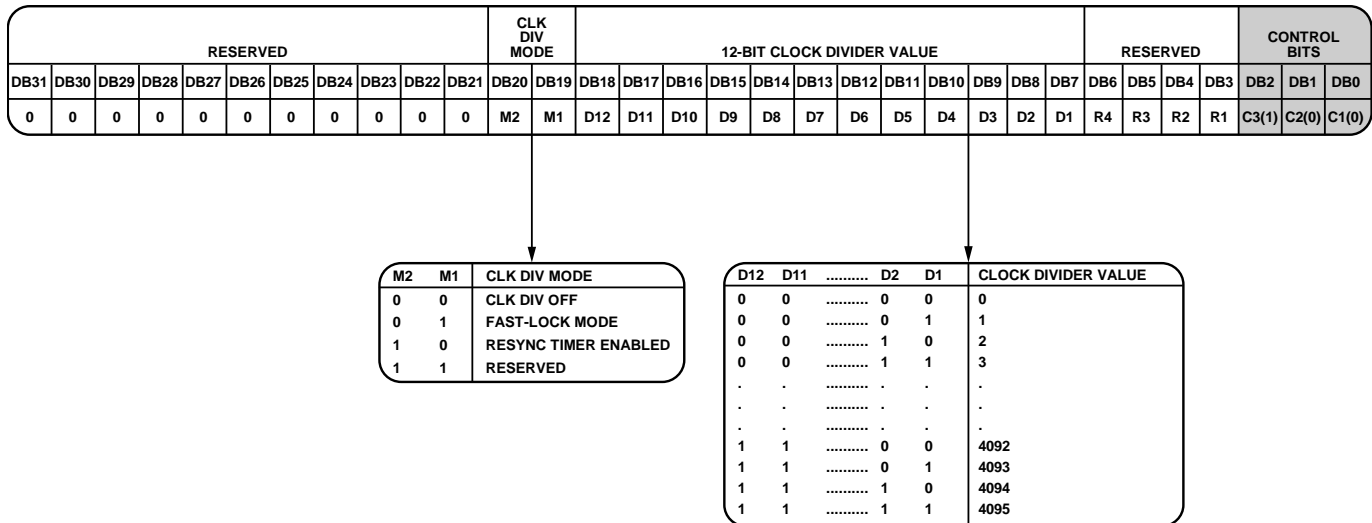


Figure 21. CLK DIV Register (R4) Map

05883-015



**RF SYNTHESIZER: A WORKED EXAMPLE**

The following equation governs how the synthesizer should be programmed:

$$RF_{OUT} = [INT + (FRAC/MOD)] \times [F_{PFD}] \quad (3)$$

where:

$RF_{OUT}$  is the RF frequency output.

$INT$  is the integer division factor.

$FRAC$  is the fractionality.

$MOD$  is the modulus.

The PFD frequency can be calculated as follows:

$$F_{PFD} = REF_{IN} \times [(1 + D)/(R \times (1 + T))] \quad (4)$$

where:

$REF_{IN}$  is the reference frequency input.

$D$  is the RF  $REF_{IN}$  doubler bit.

$T$  is the reference divide-by-2 bit, which is set to 0 or 1.

$R$  is the RF reference division factor.

For example, in a GSM 1800 system, 1.8 GHz RF frequency output ( $RF_{OUT}$ ) is required, 13 MHz reference frequency input ( $REF_{IN}$ ) is available, and 200 kHz channel resolution ( $f_{RES}$ ) is required on the RF output.

$$MOD = REF_{IN}/f_{RES}$$

$$MOD = 13 \text{ MHz}/200 \text{ kHz} = 65$$

Therefore, from Equation 4,

$$F_{PFD} = [13 \text{ MHz} \times (1 + 0)/1] = 13 \text{ MHz} \quad (5)$$

$$1.8 \text{ GHz} = 13 \text{ MHz} \times (INT + FRAC/65) \quad (6)$$

where  $INT = 138$  and  $FRAC = 30$ .

**MODULUS**

The choice of modulus ( $MOD$ ) depends on the reference signal ( $REF_{IN}$ ) available and the channel resolution ( $f_{RES}$ ) required at the RF output. For example, a GSM system with 13 MHz  $REF_{IN}$  sets the modulus to 65, resulting in the required RF output resolution ( $f_{RES}$ ) of 200 kHz (13 MHz/65). With dither off, the fractional spur interval depends on the modulus values chosen. See Table 7 for more information.

**REFERENCE DOUBLER AND REFERENCE DIVIDER**

The on-chip reference doubler allows the input reference signal to be doubled. This is useful for increasing the PFD comparison frequency, which in turn improves the noise performance of the system. Doubling the PFD frequency usually improves noise performance by 3 dB. It is important to note that the PFD cannot operate with frequencies greater than 32 MHz due to a limitation in the speed of the  $\Sigma$ - $\Delta$  circuit of the N-divider.

The reference divide-by-2 divides the reference signal by 2, resulting in a 50% duty cycle PFD frequency. This is necessary

for the correct operation of the cycle slip reduction (CSR) function. See the Fast Lock Times section for more information.

**12-BIT PROGRAMMABLE MODULUS**

Unlike most other fractional-N PLLs, the ADF4156 allows the user to program the modulus over a 12-bit range. Therefore, several configurations of the ADF4156 are possible for an application by varying the modulus value, the reference doubler, and the 5-bit R-counter.

For example, consider an application that requires 1.75 GHz RF and 200 kHz channel step resolution. The system has a 13 MHz reference signal.

One possible setup is feeding the 13 MHz directly into the PFD and programming the modulus to divide by 65. This results in the required 200 kHz resolution.

Another possible setup is using the reference doubler to create 26 MHz from the 13 MHz input signal. The 26 MHz signal is then fed into the PFD, which programs the modulus to divide by 130. This setup also results in 200 kHz resolution, but offers superior phase noise performance compared with the previous setup.

The programmable modulus is also useful for multistandard applications. If a dual-mode phone requires PDC and GSM 1800 standards, the programmable modulus is a great benefit. The PDC requires 25 kHz channel step resolution, whereas GSM 1800 requires 200 kHz channel step resolution.

A 13 MHz reference signal can be fed directly into the PFD, and the modulus can be programmed to 520 when in PDC mode (13 MHz/520 = 25 kHz). However, the modulus must be reprogrammed to 65 for GSM 1800 operation (13 MHz/65 = 200 kHz).

It is important that the PFD frequency remains constant (13 MHz). This allows the user to design one loop filter that can be used in both setups without running into stability issues. It is the ratio of the RF frequency to the PFD frequency that affects the loop design. By keeping this relationship constant, the same loop filter can be used in both applications.

**FAST LOCK TIMES WITH THE ADF4156**

As mentioned in the Noise and Spur Mode section, the ADF4156 can be optimized for noise performance. However, in fast-locking applications, the loop bandwidth needs to be wide; therefore, the filter does not provide much attenuation of the spurs.

There are two methods of achieving a fast lock time for the ADF4156: using cycle slip reduction or using dynamic bandwidth switching mode. In both cases, the idea is to keep the loop bandwidth narrow to attenuate spurs while obtaining a fast lock time.

Cycle slip reduction mode is the preferred technique because it does not require modifications to the loop filter or optimization of the timeout counter values and is therefore easier to implement.

In most cases, this method also provides faster lock times than the bandwidth switching mode method. In extreme cases, where cycle slips do not exist in the settling transient, the bandwidth switching mode can be used.

### Cycle Slip Reduction Mode

Cycle slips occur in integer-N/fractional-N synthesizers when the loop bandwidth is narrow compared with the PFD frequency. The phase error at the PFD inputs accumulates too fast for the PLL to correct, and the charge pump temporarily pumps in the wrong direction. This slows down the lock time dramatically. The ADF4156 contains a cycle slip reduction circuit to extend the linear range of the PFD, allowing faster lock times without requiring loop filter changes.

When the ADF4156 detects that a cycle slip is about to occur, it turns on an extra charge-pump current cell. This either outputs a constant current to the loop filter or removes a constant current from the loop filter, depending on whether the VCO tuning voltage needs to increase or decrease to acquire the new frequency. As a result, the linear range of the PFD is increased. Stability is maintained because the current is constant, not pulsed.

If the phase error increases to a point where another cycle slip is likely, the ADF4156 turns on another charge-pump cell. This process continues until the ADF4156 detects that the VCO frequency is beyond the desired frequency. The extra charge-pump cells then begin to turn off one by one until they are all turned off and the frequency is settled.

Up to seven extra charge-pump cells can be turned on. In most applications, this is sufficient to eliminate cycle slips altogether, resulting in much faster lock times.

Setting Bit DB28 in the MOD/R register (R2) to 1 enables cycle slip reduction. A 45% to 55% duty cycle is needed on the signal at the PFD for CSR to operate correctly. Note that CSR cannot be used if the phase detector polarity is set to negative; therefore, a noninverting loop filter topology should be used with CSR.

### Dynamic Bandwidth Switching Mode

The dynamic bandwidth switching mode involves increasing the loop filter bandwidth for a set time at the beginning of the locking transient. This is achieved by boosting the charge-pump current from the set value in Register R2 to the maximum setting. To maintain loop stability during this period, it is necessary to modify the loop filter by adding a switch and resistor. When the new frequency is programmed to the ADF4156 in this mode, three events occur simultaneously to put the device in wideband mode:

- A timeout counter is started.
- The charge-pump current is boosted from its set current to the maximum setting.
- The fast-lock switch (available via MUXOUT) is activated.

The timeout counter in Register R4 defines the period that the device is kept in wideband mode. During wideband mode, the PLL acquires lock faster due to the wider loop filter bandwidth. Stability is maintained at the optimal 45° setting due to the use of the extra resistor in the loop filter.

When the timeout counter times out, the charge-pump current is reduced from the maximum setting to its set current, and the fast-lock switch is deactivated. The device is then in narrow-band mode, and spurs are attenuated.

To ensure optimum lock time, the timeout counter should be set to time out when the PLL is close to the final frequency. If the switch is deactivated, a spike in the settling transient will be observed due to charge insertion from the switch. Because the PLL is in narrow-band mode, this spike can take some time to settle out. This is one of the disadvantages of the bandwidth switching mode compared with the cycle slip reduction mode.

### Fast Lock: An Example

If a PLL has a reference frequency of 13 MHz, a  $f_{\text{PFD}}$  of 13 MHz, and a required lock time of 50  $\mu\text{s}$ , the PLL is set to wide bandwidth for 40  $\mu\text{s}$ .

If the time set for the wide bandwidth is 40  $\mu\text{s}$ , then

$$\text{Fast-Lock Timer Value} = \text{Time in Wide Bandwidth} \times f_{\text{PFD}}$$

$$\text{Fast-Lock Timer Value} = 40 \mu\text{s} \times 13 \text{ MHz} = 520$$

Therefore, 520 must be loaded into Bits DB[18:7] of Register R4. The clock divider mode bits (DB[20:19]) in Register R4 must also be set to 01 to activate this mode. To activate the fast-lock switch on the MUXOUT pin, the MUXOUT control bits (DB[30:27]) in Register R0 must be set to 1100.

### Fast Lock: Loop Filter Topology

To use fast-lock mode, an extra connection from the PLL to the loop filter is needed. The damping resistor in the loop filter must be reduced to  $\frac{1}{4}$  of its value while in wide bandwidth mode. This is required because the charge-pump current is increased by 16 while in wide bandwidth mode and stability must be ensured. When the ADF4156 is in fast-lock mode (that is, when the fast-lock switch is programmed to appear at the MUXOUT pin), the MUXOUT pin is automatically shorted to ground. The following two topologies can be used:

- Topology 1: Divide the damping resistor (R1) into two values (R1 and R1A) that have a ratio of 1:3 (see Figure 22).
- Topology 2: Connect an extra resistor (R1A) directly from MUXOUT, as shown in Figure 23. The extra resistor must be chosen such that the parallel combination of an extra resistor and the damping resistor (R1) is reduced to  $\frac{1}{4}$  of the original value of R1 (see Figure 23).

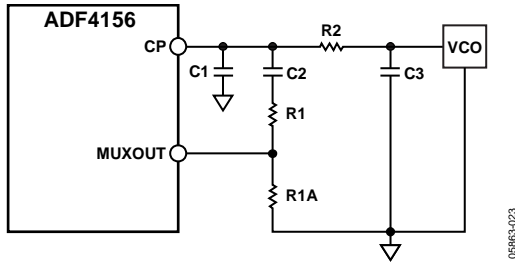


Figure 22. Topology 1—Fast-Lock Loop Filter Topology

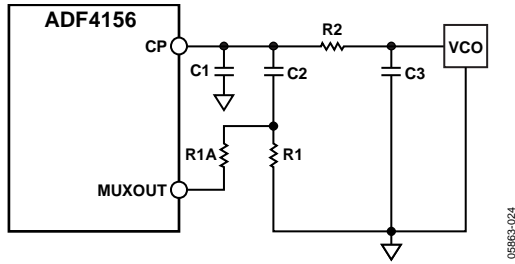


Figure 23. Topology 2—Fast-Lock Loop Filter Topology

**SPUR MECHANISMS**

This section describes the three spur mechanisms that arise with a fractional-N synthesizer and how to minimize these spurs in the ADF4156.

**Fractional Spurs**

The fractional interpolator in the ADF4156 is a third-order Σ-Δ modulator with a modulus (MOD) that is programmable to any integer value from 2 to 4095. In low spur mode (dither enabled), the minimum allowable value of MOD is 50. The Σ-Δ modulator is clocked at the PFD reference rate ( $f_{PFD}$ ) that allows PLL output frequencies to be synthesized at a channel step resolution of  $f_{PFD}/MOD$ .

In low noise mode (dither off), the quantization noise from the Σ-Δ modulator appears as fractional spurs. The interval between spurs is  $f_{PFD}/L$ , where L is the repeat length of the code sequence in the digital Σ-Δ modulator. For the third-order modulator used in the ADF4156, the repeat length depends on the value of MOD, as listed in Table 7.

**Table 7. Fractional Spurs with Dither Off**

| Condition                           | Repeat Length  | Spur Interval  |
|-------------------------------------|----------------|----------------|
| If MOD is divisible by 2, but not 3 | $2 \times MOD$ | Channel step/2 |
| If MOD is divisible by 3, but not 2 | $3 \times MOD$ | Channel step/3 |
| If MOD is divisible by 6            | $6 \times MOD$ | Channel step/6 |
| Otherwise                           | MOD            | Channel step   |

In low spur mode (dither enabled), the repeat length is extended to  $2^{21}$  cycles, regardless of the value of MOD, which makes the quantization error spectrum look like broadband noise. As a result, the in-band phase noise at the PLL output can be degraded by as much as 10 dB. Therefore, for lowest noise, keeping dither off is a better choice, particularly when the final loop bandwidth is low enough to attenuate even the lowest frequency fractional spur.

**Integer Boundary Spurs**

Another mechanism for fractional spur creation is interactions between the RF VCO frequency and the reference frequency. When these frequencies are not integer related (as is the case with fractional-N synthesizers), spur sidebands appear on the VCO output spectrum at an offset frequency that corresponds to the beat note or the difference in frequency between an integer multiple of the reference and the VCO frequency.

These spurs are attenuated by the loop filter and are more noticeable on channels close to integer multiples of the reference, where the difference frequency can be inside the loop bandwidth, hence the name integer boundary spurs.

**Reference Spurs**

Reference spurs are generally not a problem in fractional-N synthesizers because the reference offset is far outside the loop bandwidth. However, any reference feedthrough mechanism that bypasses the loop can cause a problem. One such mechanism is feedthrough of low levels of switching noise from the on-chip reference through the  $RF_{IN}$  pin and back to the VCO, resulting in reference spur levels as high as -90 dBc. Care should be taken in the PCB layout to ensure that the VCO is well separated from the input reference to avoid a possible feedthrough path on the board.

**SPUR CONSISTENCY AND FRACTIONAL SPUR OPTIMIZATION**

With dither off, the fractional spur pattern due to the quantization noise of the Σ-Δ modulator also depends on the phase word set as the starting point of the modulator. Setting the Σ-Δ reset bit (DB14 in Register R3) to 0 ensures that this starting point is used for the Σ-Δ modulator on every write to Register R0.

The phase word can be varied to optimize the fractional and subfractional spur levels on any particular frequency. Therefore, a look-up table of phase values corresponding to each frequency can be constructed for use when programming the ADF4156.

The evaluation software has a sweep function to sweep the phase word so that the user can observe the spur levels on a spectrum analyzer.

If a look-up table is not used, keep the phase word at a constant value to ensure consistent spur levels on a particular frequency.

## PHASE RESYNC

The output of a fractional-N PLL can settle to any MOD phase offset with respect to the input reference, where MOD is the fractional modulus. The phase resync feature in the ADF4156 is used to produce a consistent output phase offset with respect to the input reference. This is necessary in applications where the output phase and frequency are important, such as digital beam forming. See the Phase Programmability section for information about how to program a specific RF output phase when using the phase resync feature.

Phase resync is enabled by setting Bits DB[20:19] in Register R4 to 10. When phase resync is enabled, an internal timer generates sync signals at intervals of  $t_{\text{SYNC}}$  as indicated by the following formula:

$$t_{\text{SYNC}} = \text{CLK\_DIV\_VALUE} \times \text{MOD} \times t_{\text{PFD}}$$

where:

$t_{\text{PFD}}$  is the PFD reference period.

$\text{CLK\_DIV\_VALUE}$  is the decimal value programmed in Bit DB[18:7] of Register R4. This value can be any integer in the range of 1 to 4095.

$\text{MOD}$  is the modulus value programmed in Bit DB[14:3] of Register R2.

When a new frequency is programmed, the second sync pulse after the LE rising edge is used to resynchronize the output phase to the reference. The  $t_{\text{SYNC}}$  time should be programmed to a value that is at least as long as the worst-case lock time. Doing so guarantees that the phase resync occurs after the last cycle slip in the PLL settling transient.

In the example shown in Figure 24, the PFD reference is 25 MHz and the MOD value is 125 for a 200 kHz channel spacing. Therefore,  $t_{\text{SYNC}}$  is set to 400  $\mu\text{s}$  by programming  $\text{CLK\_DIV\_VALUE}$  to 80.

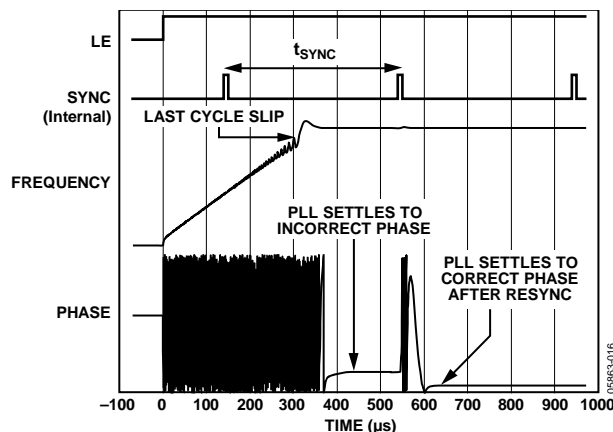


Figure 24. Phase Resync Example

## Phase Programmability

To program a specific RF output phase, change the phase word in Register R1. As this word is swept from 0 to MOD, the RF output phase sweeps over a  $360^\circ/\text{MOD}$  range in steps of  $360^\circ/\text{MOD}$ .

## LOW FREQUENCY APPLICATIONS

The specification on the RF input is 0.5 GHz minimum; however, lower RF frequencies can be used if the minimum slew rate specification of 400 V/ $\mu\text{s}$  is met. An appropriate LVDS driver, such as the FIN1001 from Fairchild Semiconductor, can be used to square up the RF signal before it is fed back into the ADF4156 RF input.

## FILTER DESIGN—ADIsimPLL

A filter design and analysis program is available to help implement the PLL design. Visit [www.analog.com/pll](http://www.analog.com/pll) for a free download of the ADIsimPLL™ software. This software designs, simulates, and analyzes the entire PLL frequency domain and time domain response. Various passive and active filter architectures are allowed. When designing the loop filter, keep the ratio of the PFD frequency to the loop bandwidth  $>200:1$  to attenuate the  $\Sigma$ - $\Delta$  modulator noise.

**INTERFACING**

The ADF4156 has a simple SPI-compatible serial interface for writing to the device. CLOCK, DATA, and LE control the data transfer. When latch enable (LE) is high, the 29 bits that have been clocked into the input register on each rising edge of serial clock are transferred to the appropriate latch. The maximum allowable serial clock rate is 20 MHz. See Figure 2 for the timing diagram and Table 6 for the latch truth table.

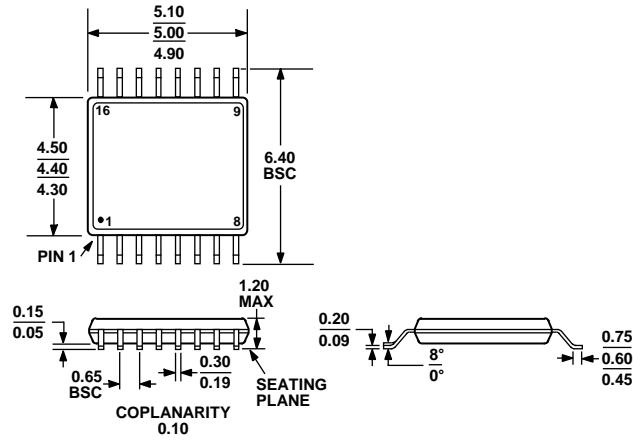
**PCB DESIGN GUIDELINES FOR CHIP SCALE PACKAGE**

The lands on the lead frame chip scale package (CP-20-6) are rectangular. The printed circuit board pad for these lands should be 0.1 mm longer than the package land length and 0.05 mm wider than the package land width. The package land should be centered on the pad to ensure that the solder joint size is maximized.

The bottom of the chip scale package has a central thermal pad. The thermal pad on the printed circuit board should be at least as large as this exposed pad. On the printed circuit board, there should be a clearance of at least 0.25 mm between the thermal pad and the inner edges of the pad pattern to ensure that shorting is avoided.

Thermal vias can be used on the printed circuit board thermal pad to improve thermal performance of the package. If vias are used, they should be incorporated in the thermal pad on a 1.2 mm pitch grid. The via diameter should be between 0.3 mm and 0.33 mm, and the via barrel should be plated with 1 oz of copper to plug the via. In addition, the printed circuit board thermal pad should be connected to AGND.

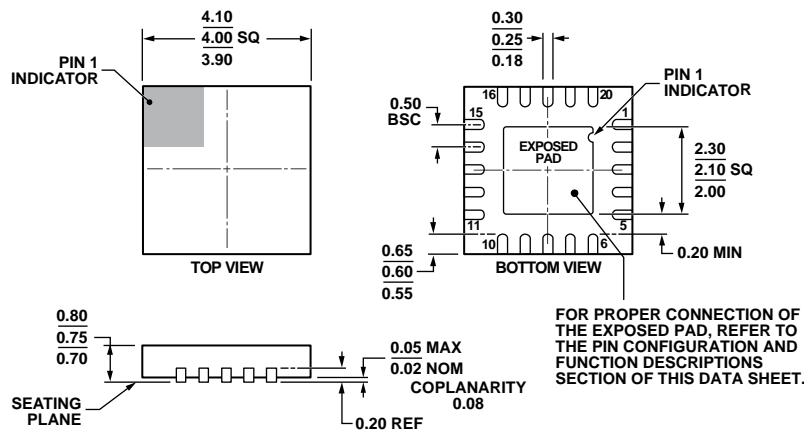
OUTLINE DIMENSIONS



COMPLIANT TO JEDEC STANDARDS MO-153-AB

Figure 25. 16-Lead Thin Shrink Small Outline Package [TSSOP] (RU-16)

Dimensions shown in millimeters



FOR PROPER CONNECTION OF THE EXPOSED PAD, REFER TO THE PIN CONFIGURATION AND FUNCTION DESCRIPTIONS SECTION OF THIS DATA SHEET.

COMPLIANT TO JEDEC STANDARDS MO-220-WGGD-1.

Figure 26. 20-Lead Lead Frame Chip Scale Package [LFCSP\_WQ] 4 mm x 4 mm Body, Very Very Thin Quad (CP-20-6)

Dimensions shown in millimeters

ORDERING GUIDE

| Model <sup>1</sup> | Temperature Range | Package Description                               | Package Option |
|--------------------|-------------------|---|----------------|
| ADF4156BRUZ        | -40°C to +85°C    | 16-Lead Thin Shrink Small Outline Package [TSSOP] | RU-16          |
| ADF4156BRUZ-RL     | -40°C to +85°C    | 16-Lead Thin Shrink Small Outline Package [TSSOP] | RU-16          |
| ADF4156BRUZ-RL7    | -40°C to +85°C    | 16-Lead Thin Shrink Small Outline Package [TSSOP] | RU-16          |
| ADF4156BCPZ        | -40°C to +85°C    | 20-Lead Lead Frame Chip Scale Package [LFCSP_WQ]  | CP-20-6        |
| ADF4156BCPZ-RL     | -40°C to +85°C    | 20-Lead Lead Frame Chip Scale Package [LFCSP_WQ]  | CP-20-6        |
| ADF4156BCPZ-RL7    | -40°C to +85°C    | 20-Lead Lead Frame Chip Scale Package [LFCSP_WQ]  | CP-20-6        |
| EV-ADF4156SD1Z     |                   | Evaluation Board                                  |                |

<sup>1</sup> Z = RoHS Compliant Part.

**NOTES**