

1. SPECIFICATION

ADI-F10H3C1

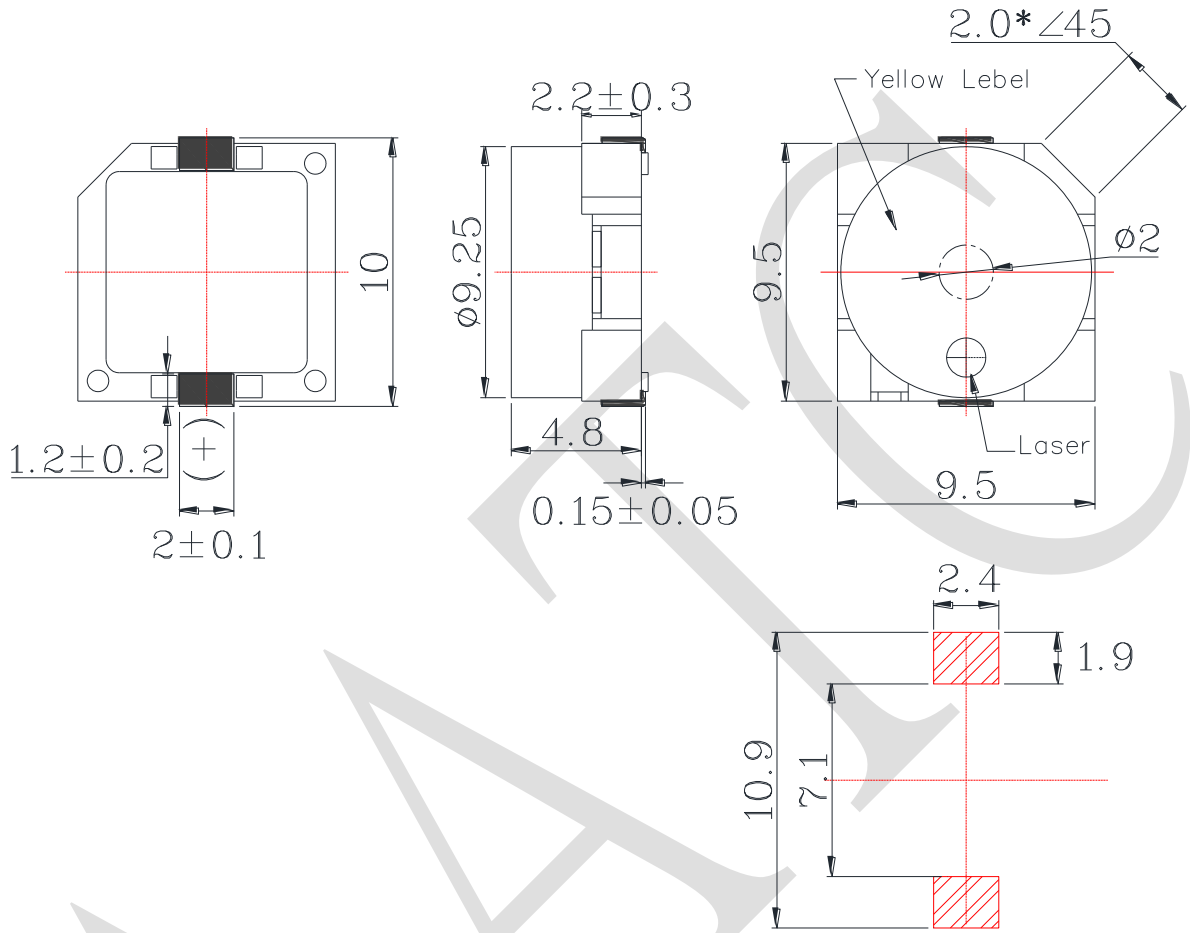
ITEM		UNITS	SPECIFICATIONS	CONDITIONS
01	Rated Voltage	V	3	
02	Operating Voltage	V	1.8 ~ 5	
03	Consumption Current	mA (Max)	30	Rated Voltage
04	Resonant Frequency	Hz	2700± 300	Rated Voltage
05	Response times	ms	≥ 100	
06	Sound pressure level	dB(A) Min.	80	Distance at 10cm Rated Voltage / Resonant Frequency
07	Operating Temp.	°C	-30 ~ +70	
08	Storage Temp.	°C	-40 ~ +85	

REV NO.

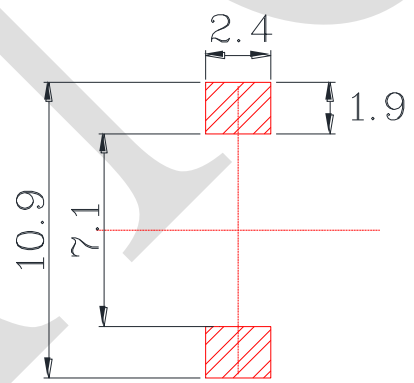
REVISION NOTE

APPROVAL

DATE



RECOMMENDED PCB LAYOUT



RoHS

TITLE: SOUND TRANSDUCER (SMD)		DRAWN: Hank	2020/09/14	SCALE: 1:1	SHEET: 1 : 1
PART NO. ADI-F10H3C1	1	DESIGNED: R & D OF AAT	UNITS: mm		
DWG NO.		CHECKED:	TOLERANCE ± 0.5		
REV		APPROVAL:	FIRST ANGLE PROJECTION		
		MATERIAL: LCP			



ADVANCED ACOUSTIC TECHNOLOGY CORPORATION