

## FEATURES

### Triaxial, digital gyroscope

$\pm 125^\circ/\text{sec}$ ,  $\pm 500^\circ/\text{sec}$ ,  $\pm 2000^\circ/\text{sec}$  dynamic range models  
 $2^\circ/\text{hr}$  in-run bias stability (ADIS16467-1)

### 0.15 $^\circ/\sqrt{\text{hr}}$ angular random walk (ADIS16467-1 and ADIS16467-2)

$\pm 0.05^\circ$  axis to axis misalignment error

### Triaxial, digital accelerometer, $\pm 40 g$

13  $\mu\text{g}$  in-run bias stability

### Triaxial, delta angle, and delta velocity outputs

### Factory calibrated sensitivity, bias, and axial alignment

Calibration temperature range:  $-40^\circ\text{C}$  to  $+85^\circ\text{C}$

### SPI-compatible data communications

### Programmable operation and control

Automatic and manual bias correction controls

Data ready indicator for synchronous data acquisition

External sync modes: direct, pulse, scaled, and output

On demand self test of inertial sensors

On demand self test of flash memory

### Single-supply operation (VDD): 3.0 V to 3.6 V

### 2000 g mechanical shock survivability

### Operating temperature range: $-40^\circ\text{C}$ to $+105^\circ\text{C}$

## APPLICATIONS

Navigation, stabilization, and instrumentation

Unmanned and autonomous vehicles

Smart agriculture and construction machinery

Factory/industrial automation, robotics

Virtual/augmented reality

Internet of Moving Things

## GENERAL DESCRIPTION

The ADIS16467 is a precision, microelectric mechanical system (MEMS), inertial measurement unit (IMU) that includes a triaxial gyroscope and a triaxial accelerometer. Each inertial sensor in the ADIS16467 combines with signal conditioning to optimize dynamic performance. The factory calibration characterizes each sensor for sensitivity, bias, alignment, linear acceleration (gyroscope bias), and point of percussion (accelerometer location). Therefore, each sensor has dynamic compensation formulas that provide accurate sensor measurements over a broad set of conditions.

The ADIS16467 provides a simple, cost effective method for integrating accurate, multi-axis inertial sensing into industrial systems, especially when compared to the complexity and investment associated with discrete designs. All necessary motion testing and calibration are part of the production process at the factory, greatly reducing system integration time. Tight orthogonal alignment simplifies inertial frame alignment in navigation systems. The serial peripheral interface (SPI) and register structure provide a simple interface for data collection and configuration control.

The ADIS16467 is in an aluminum module package that is approximately 22.4 mm  $\times$  24.3 mm  $\times$  9 mm with a 14-lead connector interface.

## FUNCTIONAL BLOCK DIAGRAM

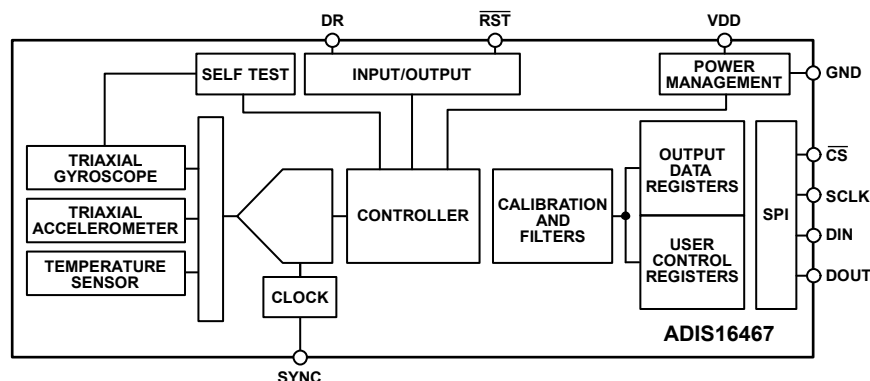


Figure 1.

## TABLE OF CONTENTS

Features .....	1
Applications .....	1
General Description .....	1
Functional Block Diagram .....	1
Revision History .....	2
Specifications .....	3
Timing Specifications .....	5
Absolute Maximum Ratings .....	7
Thermal Resistance .....	7
ESD Caution.....	7
Pin Configuration and Function Descriptions .....	8
Typical Performance Characteristics.....	9
Theory of Operation .....	11
Introduction.....	11
Inertial Sensor Signal Chain .....	11
Register Structure.....	12
Serial Peripheral Interface (SPI).....	13
Data Ready (DR) .....	13
Reading Sensor Data.....	14

### REVISION HISTORY

#### 2/2020—Rev. B to Rev. C

Changes to Table 1 .....	3
Added Figure 18 .....	10
Changes to Reading Sensor Data Section and Burst Read Function Section.....	14

#### 4/2019—Rev. A to Rev. B

Changes to Serial Peripheral Interface (SPI) Section .....	13
Changes to Figure 32 .....	14
Changes to Table 10.....	18
Changes to Gyroscope Data Section.....	18
Changes to Acceleration Data Section .....	19
Added Accelerometer Data Formatting Section.....	20
Deleted Accelerometer Resolution Section .....	20
Added Serial Port Operation Section, Maximum Throughput Section, and Serial Port SCLK Underrun/Overrun Conditions Section.....	32
Added Digital Resolution of Gyroscopes and Accelerometers Section.....	32
Moved Gyroscope Data Width (Digital Resolution) Section.....	32
Moved Accelerometer Data Width (Digital Resolution) Section.	32

Device Configuration .....	15
User Register Memory Map.....	16
User Register Defintions .....	18
Gyroscope Data .....	18
Delta Angles.....	21
Delta Velocity .....	22
Calibration .....	24
Applications Information .....	31
Assembly and Handling Tips .....	31
Power Supply Considerations .....	31
Breakout Board.....	31
Serial Port Operation.....	32
Digital Resolution of Gyroscopes and Accelerometers .....	32
PC-Based Evaluation Tools .....	33
Packaging and Ordering Information.....	34
Outline Dimensions.....	34
Ordering Guide .....	34

#### 2/2019—Rev. 0 to Rev. A

Changes to Table 1 .....	3
Changes to Table 2.....	5
Changes to Figure 5 .....	6
Added Figure 11, Figure 12, and Figure 13; Renumbered Sequentially .....	9
Added Figure 14, Figure 15, Figure 16, and Figure 17.....	10
Changes to Figure 18, Figure 19, and Figure 20 .....	11
Changes to Figure 22 and Figure 23 .....	12
Added Gyroscope Data Width (Digital Resolution) Section... 18	18
Changes to Gyroscope Measurement Range/Scale Factor Section, Table 11, Table 12, Table 13, Table 17, Table 21, and Table 25 19	19
Added Accelerometer Data Width (Digital Resolution) Section .....	20
Change to Calibration, Accelerometer Bias (XA_BIAS_LOW and XA_BIAS_HIGH) Section.....	25
Change to Filter Control Register (FILT_CTRL) Section .....	26
Changes to Direct Sync Mode Section .....	27
Changes to Pulse Sync Mode Section.....	28
Changes to Sensor Self Test Section .....	29
Changes to Figure 52 .....	31
Changes to Outline Dimensions .....	33

#### 12/2017—Revision 0: Initial Version

## SPECIFICATIONS

Case temperature ( $T_c$ ) = 25°C, VDD = 3.3 V, angular rate = 0°/sec, and dynamic range =  $\pm 2000^\circ/\text{sec} \pm 1 g$ , unless otherwise noted.

Table 1.

Parameter	Test Conditions/Comments	Min	Typ	Max	Unit	
<b>GYROSCOPES</b>						
Dynamic Range	ADIS16467-1	$\pm 125$			°/sec	
	ADIS16467-2	$\pm 500$			°/sec	
	ADIS16467-3	$\pm 2000$			°/sec	
Sensitivity	ADIS16467-1, 16-bit		160		LSB/°/sec	
	ADIS16467-2, 16-bit		40		LSB/°/sec	
	ADIS16467-3, 16-bit		10		LSB/°/sec	
	ADIS16467-1, 32-bit		10,485,760		LSB/°/sec	
	ADIS16467-2, 32-bit		2,621,440		LSB/°/sec	
	ADIS16467-3, 32-bit		655,360		LSB/°/sec	
Repeatability <sup>1</sup>	$-40^\circ\text{C} \leq T_c \leq +85^\circ\text{C}$ , 1 $\sigma$		$\pm 0.3$		%	
Error over Temperature	$-40^\circ\text{C} \leq T_c \leq +85^\circ\text{C}$ , 1 $\sigma$		$\pm 0.1$		%	
Misalignment Error	Axis to axis, 1 $\sigma$		$\pm 0.05$		Degrees	
Nonlinearity <sup>2</sup>	ADIS16467-1, full scale (FS) = 125°/sec		0.2		% FS	
	ADIS16467-2, FS = 500°/sec		0.2		% FS	
	ADIS16467-3, FS = 2000°/sec		0.25		% FS	
<b>Bias</b>						
In-Run Bias Stability	ADIS16467-1, 1 $\sigma$		2		°/hr	
	ADIS16467-2, 1 $\sigma$		2.5		°/hr	
	ADIS16467-3, 1 $\sigma$		6		°/hr	
Angular Random Walk	ADIS16467-1, 1 $\sigma$		0.15		°/√hr	
	ADIS16467-2, 1 $\sigma$		0.15		°/√hr	
	ADIS16467-3, 1 $\sigma$		0.26		°/√hr	
Repeatability <sup>1</sup>	$-40^\circ\text{C} \leq T_c \leq +85^\circ\text{C}$ , 1 $\sigma$		$\pm 0.4$		°/sec	
Error over Temperature	$-40^\circ\text{C} \leq T_c \leq +85^\circ\text{C}$ , 1 $\sigma$		$\pm 0.2$		°/sec	
Linear Acceleration Effect	Any direction, 1 $\sigma$		0.009		°/sec/g	
Vibration Rectification Effect	Random vibration, 2 g rms, bandwidth = 50 Hz to 2 kHz		0.0005		°/sec/g <sup>2</sup>	
Output Noise	ADIS16467-1, 1 $\sigma$ , no filtering, x-axis		0.05		°/sec rms	
	ADIS16467-1, 1 $\sigma$ , no filtering, y-axis and z-axis		0.07		°/sec rms	
	ADIS16467-2, 1 $\sigma$ , no filtering, x-axis		0.05		°/sec rms	
	ADIS16467-2, 1 $\sigma$ , no filtering, y-axis and z-axis		0.08		°/sec rms	
	ADIS16467-3, 1 $\sigma$ , no filtering, x-axis		0.11		°/sec rms	
	ADIS16467-3, 1 $\sigma$ , no filtering, y-axis and z-axis		0.16		°/sec rms	
	Rate Noise Density	ADIS16467-1, 10 Hz to 40 Hz, x-axis		0.002		°/sec/√Hz rms
		ADIS16467-1, 10 Hz to 40 Hz, y-axis and z-axis		0.003		°/sec/√Hz rms
		ADIS16467-2, 10 Hz to 40 Hz, x-axis		0.002		°/sec/√Hz rms
		ADIS16467-2, 10 Hz to 40 Hz, y-axis and z-axis		0.003		°/sec/√Hz rms
		ADIS16467-3, 10 Hz to 40 Hz, x-axis		0.004		°/sec/√Hz rms
		ADIS16467-3, 10 Hz to 40 Hz, y-axis and z-axis		0.0065		°/sec/√Hz rms
3 dB Bandwidth			550		Hz	
Sensor Resonant Frequency			66		kHz	
<b>ACCELEROMETERS<sup>3</sup></b>						
Dynamic Range	Each axis	$\pm 40$			g	
Sensitivity	32-bit data format		52,428,800		LSB/g	
Repeatability <sup>1</sup>	$-40^\circ\text{C} \leq T_c \leq +85^\circ\text{C}$ , 1 $\sigma$		$\pm 0.2$		%	
Error over temperature	$-40^\circ\text{C} \leq T_c \leq +85^\circ\text{C}$ , 1 $\sigma$		$\pm 0.1$		%	
Misalignment Error	Axis to axis		$\pm 0.05$		Degrees	
Nonlinearity	Best fit straight line, $\pm 10 g$		$\pm 0.02$		% FS	
	Best fit straight line, $\pm 20 g$		$\pm 0.4$		% FS	
	Best fit straight line, $\pm 40 g$		$\pm 1.5$		% FS	

Parameter	Test Conditions/Comments	Min	Typ	Max	Unit
Bias					
In-Run Bias Stability	1 $\sigma$ , y-axis and z-axis		13		$\mu\text{g}$
Velocity Random Walk	1 $\sigma$		0.037		m/sec/ $\sqrt{\text{hr}}$
Repeatability <sup>1</sup>	$-40^{\circ}\text{C} \leq T_c \leq +85^{\circ}\text{C}$ , 1 $\sigma$		$\pm 6$		mg
Error over Temperature	$-40^{\circ}\text{C} \leq T_c \leq +85^{\circ}\text{C}$ , 1 $\sigma$		$\pm 3$		mg
Output Noise	No filtering		2.3		mg rms
Noise Density	Bandwidth = 10 Hz to 40 Hz, no filtering		100		$\mu\text{g}/\sqrt{\text{Hz}}$ rms
3 dB Bandwidth			600		Hz
Sensor Resonant Frequency	Y-axis and z-axis		5.65		kHz
	X-axis		5.25		kHz
TEMPERATURE SENSOR					
Scale Factor	Output = 0x0000 at 0°C ( $\pm 5^{\circ}\text{C}$ )		0.1		$^{\circ}\text{C}/\text{LSB}$
LOGIC INPUTS <sup>4</sup>					
Input Voltage					
High, $V_{\text{IH}}$		2.0			V
Low, $V_{\text{IL}}$				0.8	V
$\overline{\text{RST}}$ Pulse Width		1			$\mu\text{s}$
$\overline{\text{CS}}$ Wake-Up Pulse Width		20			$\mu\text{s}$
Input Current					
Logic 1, $I_{\text{IH}}$	$V_{\text{IH}} = 3.3\text{ V}$			10	$\mu\text{A}$
Logic 0, $I_{\text{IL}}$	$V_{\text{IL}} = 0\text{ V}$				
All Pins Except $\overline{\text{RST}}$				10	$\mu\text{A}$
$\overline{\text{RST}}$ Pin			0.33		mA
Input Capacitance, $C_{\text{IN}}$			10		pF
DIGITAL OUTPUTS					
Output Voltage					
High, $V_{\text{OH}}$	$I_{\text{SOURCE}} = 0.5\text{ mA}$	2.4			V
Low, $V_{\text{OL}}$	$I_{\text{SINK}} = 2.0\text{ mA}$			0.4	V
FLASH MEMORY					
Data Retention <sup>6</sup>	Endurance <sup>5</sup>	10000			Cycles
	$T_J = 85^{\circ}\text{C}$	20			Years
FUNCTIONAL TIMES <sup>7</sup>	Time until data is available				
Power-On Start-Up Time			259		ms
Reset Recovery Time	Register GLOB_CMD, Bit 7 = 1 (see Table 113)		198		ms
	$\overline{\text{RST}}$ pulled low, then restored to high <sup>8</sup>		198		ms
Factory Calibration Restore	Register GLOB_CMD, Bit 1 = 1 (see Table 113)		142		ms
Flash Memory Backup	Register GLOB_CMD, Bit 3 = 1 (see Table 113)		72		ms
Flash Memory Test Time	Register GLOB_CMD, Bit 4 = 1 (see Table 113)		32		ms
Self Test Time <sup>9</sup>	Register GLOB_CMD, Bit 2 = 1 (see Table 113)		14		ms
CONVERSION RATE			2000		SPS
Initial Clock Accuracy			3		%
Sync Input Clock		1.9		2.1	kHz
POWER SUPPLY, VDD	Operating voltage range	3.0		3.6	V
Power Supply Current <sup>10</sup>	Normal mode, VDD = 3.3 V		44	55	mA

<sup>1</sup> Bias repeatability provides an estimate for long-term drift in the bias, as observed during 500 hours of High-Temperature Operating Life (HTOL) at  $+105^{\circ}\text{C}$ .

<sup>2</sup> This measurement is based on the deviation from a best fit linear model.

<sup>3</sup> All specifications associated with the accelerometers relate to the full-scale range of  $\pm 40\text{ g}$ , unless otherwise noted.

<sup>4</sup> The digital input/output signals use a 3.3 V system.

<sup>5</sup> Endurance is qualified as per JEDEC Standard 22, Method A117, measured at  $-40^{\circ}\text{C}$ ,  $+25^{\circ}\text{C}$ ,  $+85^{\circ}\text{C}$ , and  $+125^{\circ}\text{C}$ .

<sup>6</sup> The data retention specification assumes a junction temperature ( $T_J$ ) of  $85^{\circ}\text{C}$  per JEDEC Standard 22, Method A117. Data retention lifetime decreases with  $T_J$ .

<sup>7</sup> These times do not include thermal settling and internal filter response times, which may affect overall accuracy.

<sup>8</sup> The  $\overline{\text{RST}}$  line must be in a low state for at least 10  $\mu\text{s}$  to ensure a proper reset initiation and recovery.

<sup>9</sup> The self test time can extend when using external clock rates lower than 2000 Hz.

<sup>10</sup> Power supply current transients can reach 100 mA during initial startup or reset recovery.

**TIMING SPECIFICATIONS**

T<sub>A</sub> = 25°C, VDD = 3.3 V, unless otherwise noted.

Table 2.

Parameter	Description	Normal Mode			Burst Read Mode			Unit
		Min	Typ	Max	Min <sup>1</sup>	Typ	Max	
f <sub>SCLK</sub>	Serial clock	0.1		2	0.1		1	MHz
t <sub>STALL</sub>	Stall period between data	16			N/A			μs
t <sub>READRATE</sub>	Read rate	24						μs
t <sub>CS</sub>	Chip select to SCLK edge	200			200			ns
t <sub>DAV</sub>	DOUT valid after SCLK edge			25			25	ns
t <sub>DSU</sub>	DIN setup time before SCLK rising edge	25			25			ns
t <sub>DHD</sub>	DIN hold time after SCLK rising edge	50			50			ns
t <sub>SCLKR</sub> , t <sub>SCLKF</sub>	SCLK rise/fall times		5	12.5		5	12.5	ns
t <sub>DR</sub> , t <sub>DF</sub>	DOUT rise/fall times		5	12.5		5	12.5	ns
t <sub>SFS</sub>	CS high after SCLK edge	0			0			ns
t <sub>1</sub>	Input sync positive pulse width; pulse sync mode, Register MSC_CTRL, Bits[4:1] (binary, see Table 105)	5			5			μs
t <sub>STDR</sub>	Input sync to data ready valid transition							
	Direct sync mode, Register MSC_CTRL, Bits[4:2] (binary, see Table 105)		256			256		μs
	Pulse sync mode, Register MSC_CTRL, Bits[4:2] (binary, see Table 105)		256			256		μs
t <sub>NV</sub>	Data invalid time		20			20		μs
t <sub>2</sub>	Input sync period <sup>2</sup>	477			477			μs

<sup>1</sup> N/A means not applicable.

<sup>2</sup> This specification is rounded up from the cycle time that comes from the maximum input clock frequency (2100 Hz).

**Timing Diagrams**

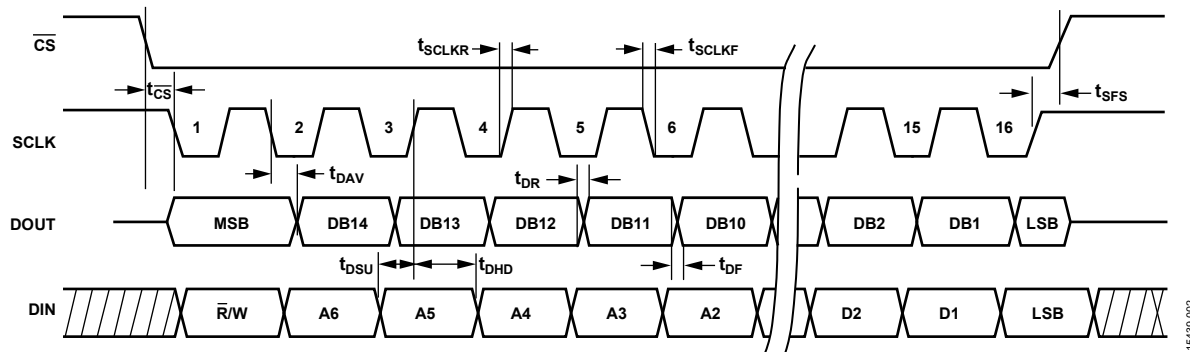


Figure 2. SPI Timing and Sequence Diagram

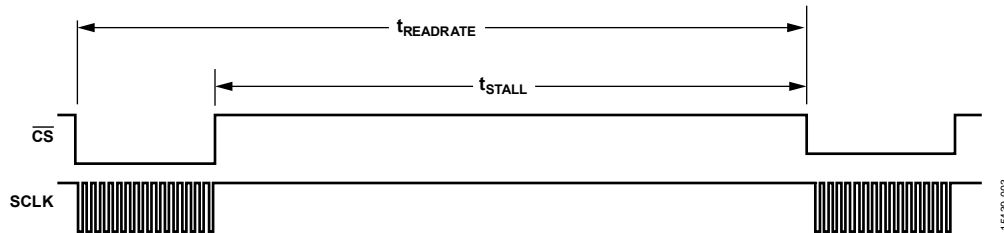


Figure 3. Stall Time and Data Rate Timing Diagram

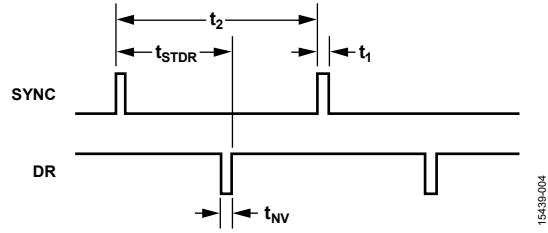


Figure 4. Input Clock Timing Diagram, Pulse Sync Mode, Register MSC\_CTRL, Bits[4:2] = 101 (Binary)

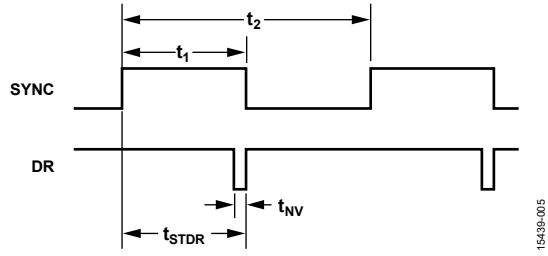


Figure 5. Input Clock Timing Diagram, Direct Sync Mode, Register MSC\_CTRL, Bits[4:2] = 001 (Binary)

**ABSOLUTE MAXIMUM RATINGS**

Table 3.

Parameter	Rating
Mechanical Shock Survivability	
Any Axis, Unpowered	2000 g
Any Axis, Powered	2000 g
VDD to GND	−0.3 V to +3.6 V
Digital Input Voltage to GND	−0.3 V to VDD + 0.2 V
Digital Output Voltage to GND	−0.3 V to VDD + 0.2 V
Calibration Temperature Range	−40°C to +85°C
Operating Temperature Range	−40°C to +105°C
Storage Temperature Range <sup>1</sup>	−65°C to +150°C
Barometric Pressure	2-bar

<sup>1</sup> Extended exposure to temperatures that are lower than −40°C or higher than +105°C can adversely affect the accuracy of the factory calibration.

Stresses at or above those listed under Absolute Maximum Ratings may cause permanent damage to the product. This is a stress rating only; functional operation of the product at these or any other conditions above those indicated in the operational section of this specification is not implied. Operation beyond the maximum operating conditions for extended periods may affect product reliability.

**THERMAL RESISTANCE**

Thermal performance is directly linked to printed circuit board (PCB) design and operating environment. Careful attention to PCB thermal design is required.

The ADIS16467 is a multichip module that includes many active components. The values in Table 4 identify the thermal response of the hottest component inside of the ADIS16467, with respect to the overall power dissipation of the module. This approach enables a simple method for predicting the temperature of the hottest junction, based on either ambient or case temperature.

For example, when the ambient temperature is 70°C, the hottest junction temperature ( $T_J$ ) inside of the ADIS16467 is 75.3°C.

$$T_J = \theta_{JA} \times VDD \times I_{DD} + 70^\circ\text{C}$$

$$T_J = 36.5^\circ\text{C/W} \times 3.3 \text{ V} \times 0.044 \text{ A} + 70^\circ\text{C}$$

$$T_J = 75.3^\circ\text{C}$$

Table 4. Thermal Resistance

Package Type	$\theta_{JA}$ <sup>1</sup>	$\theta_{JC}$ <sup>2</sup>	Mass (g)
ML-14-6 <sup>3</sup>	36.5°C/W	16.9C/W	15

<sup>1</sup>  $\theta_{JA}$  is the natural convection junction to ambient thermal resistance measured in a one cubic foot sealed enclosure.

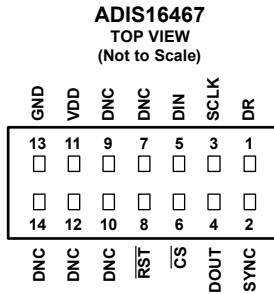
<sup>2</sup>  $\theta_{JC}$  is the junction to case thermal resistance.

<sup>3</sup> Thermal impedance values come from direct observation of the hottest temperature inside of the ADIS16467, when it is attached to an FR4-08 PCB that has two metal layers and has a thickness of 0.063 inches.

**ESD CAUTION**

**ESD (electrostatic discharge) sensitive device.** Charged devices and circuit boards can discharge without detection. Although this product features patented or proprietary protection circuitry, damage may occur on devices subjected to high energy ESD. Therefore, proper ESD precautions should be taken to avoid performance degradation or loss of functionality.

# PIN CONFIGURATION AND FUNCTION DESCRIPTIONS



**NOTES**

1. THIS REPRESENTS THE PIN ASSIGNMENTS WHEN LOOKING DOWN AT THE CONNECTOR. SEE FIGURE 7.
2. MATING CONNECTOR: SAMTEC CLM-107-02 SERIES OR EQUIVALENT.
3. DNC = DO NOT CONNECT.

Figure 6. Pin Assignments, Bottom View

15439-006

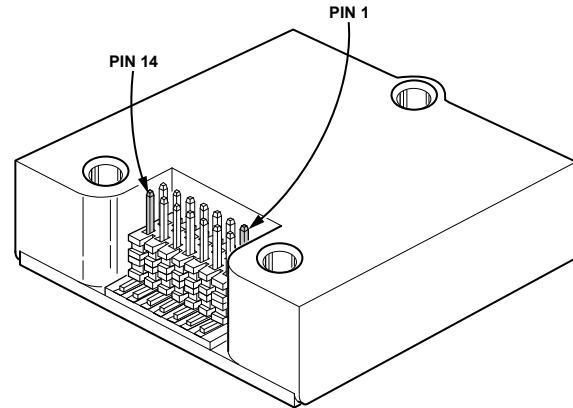


Figure 7. Pin Assignments, Package Level View

15439-007

**Table 5. Pin Function Descriptions**

Pin No.	Mnemonic	Type	Description
1	DR	Output	Data Ready Indicator.
2	SYNC	Input/output	External Sync Input/Output, per MSC_CTRL. See Table 105.
3	SCLK	Input	SPI Serial Clock.
4	DOUT	Output	SPI Data Output. This pin clocks the output on the SCLK falling edge.
5	DIN	Input	SPI Data Input. This pin clocks the input on the SCLK rising edge.
6	CS	Input	SPI Chip Select.
7	DNC	Not applicable	Do Not Connect. Do not connect to this pin.
8	RST	Input	Reset.
9	DNC	Not applicable	Do Not Connect. Do not connect to this pin.
10	DNC	Not applicable	Do Not Connect. Do not connect to this pin.
11	VDD	Supply	Power Supply.
12	DNC	Not applicable	Do Not Connect. Do not connect to this pin.
13	GND	Supply	Power Ground.
14	DNC	Not applicable	Do Not Connect. Do not connect to this pin.



# TYPICAL PERFORMANCE CHARACTERISTICS

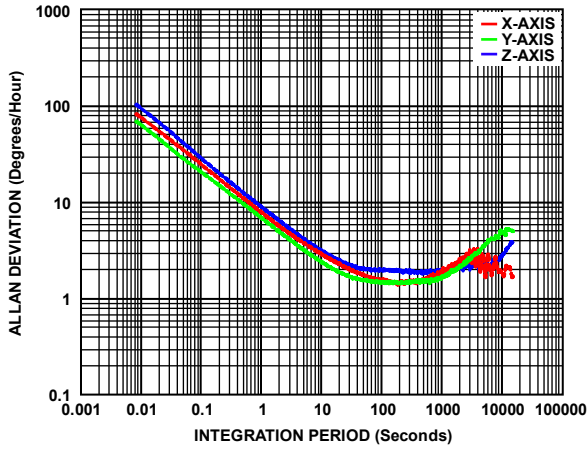


Figure 8. Gyroscope Allan Deviation,  $T_c = 25^\circ\text{C}$ , ADIS16467-1

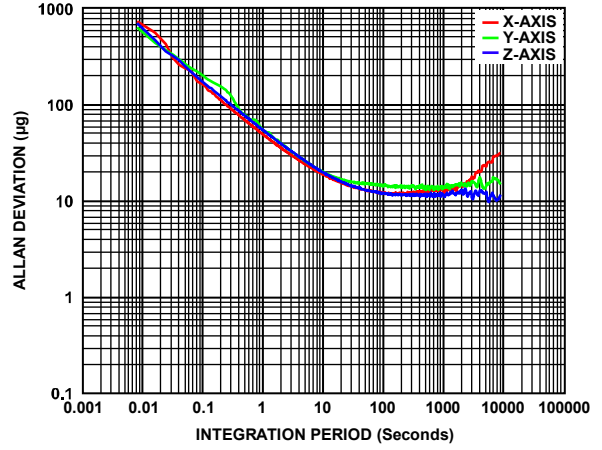


Figure 11. Accelerometer Allan Deviation,  $T_c = 25^\circ\text{C}$

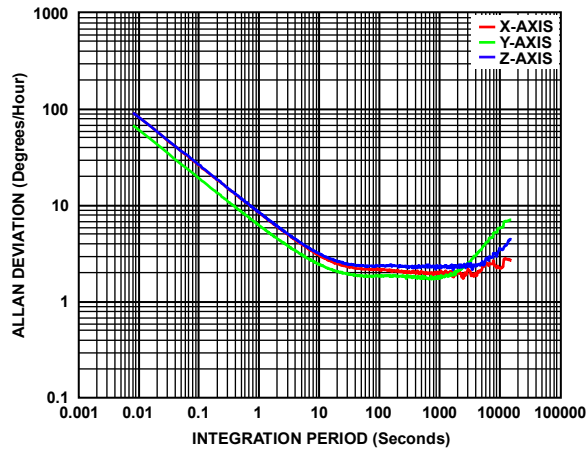


Figure 9. Gyroscope Allan Deviation,  $T_c = 25^\circ\text{C}$ , ADIS16467-2

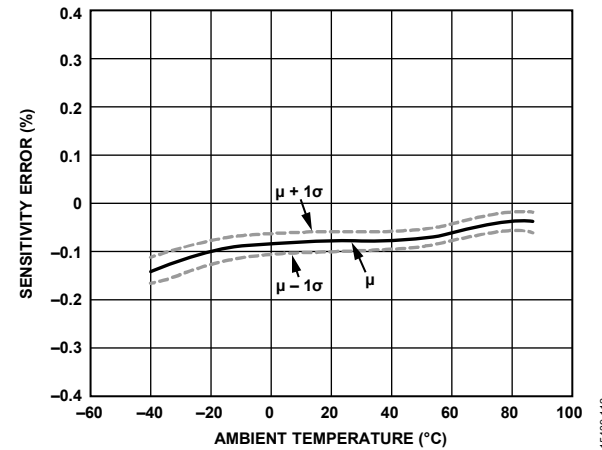


Figure 12. ADIS16467-1 Gyroscope Sensitivity Error vs. Ambient Temperature

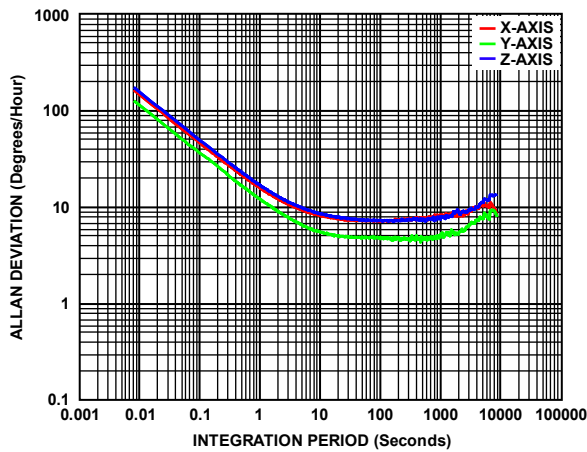


Figure 10. Gyroscope Allan Deviation,  $T_c = 25^\circ\text{C}$ , ADIS16467-3

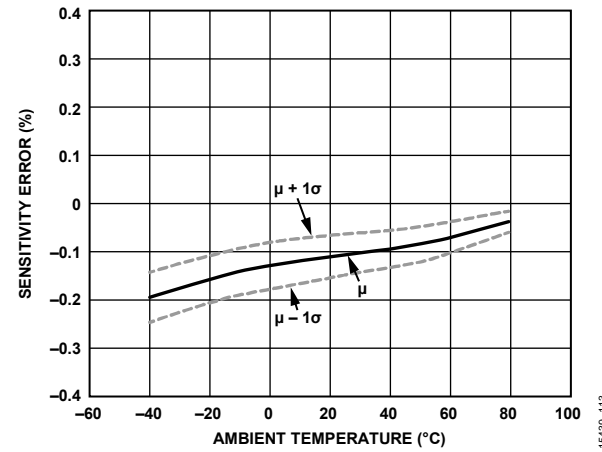


Figure 13. ADIS16467-2 Gyroscope Sensitivity Error vs. Ambient Temperature

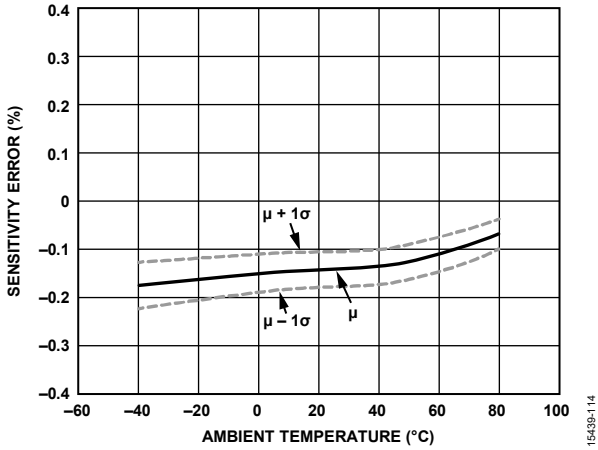


Figure 14. ADIS16467-3 Gyroscope Sensitivity Error vs. Ambient Temperature

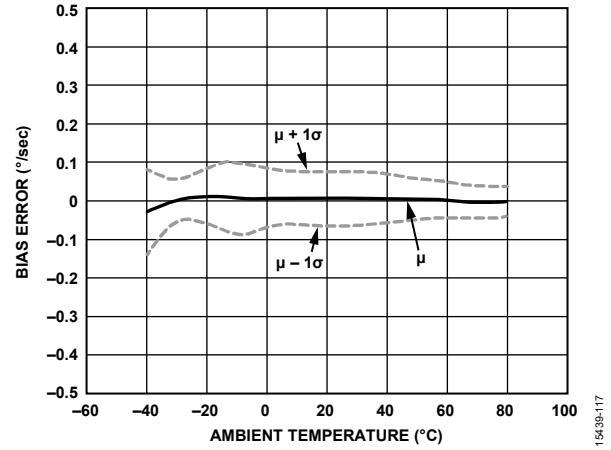


Figure 17. ADIS16467-3 Gyroscope Bias Error vs. Ambient Temperature

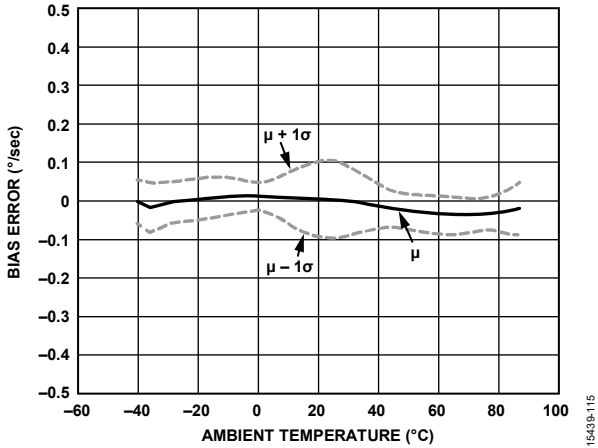


Figure 15. ADIS16467-1 Gyroscope Bias Error vs. Ambient Temperature

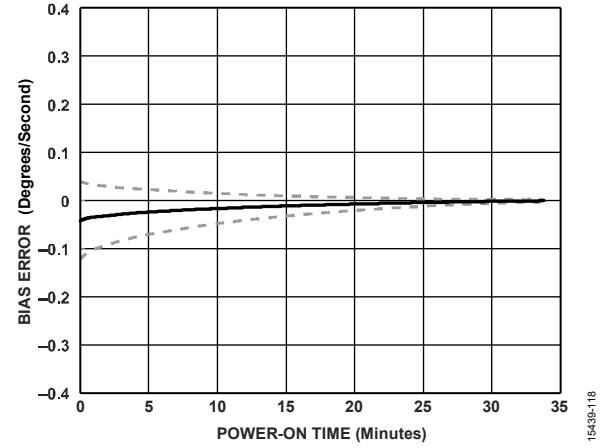


Figure 18. ADIS16467-3 Gyroscope Bias Error vs. Power-On Time at 25°C. (Applicable to All ADIS16467 Models)

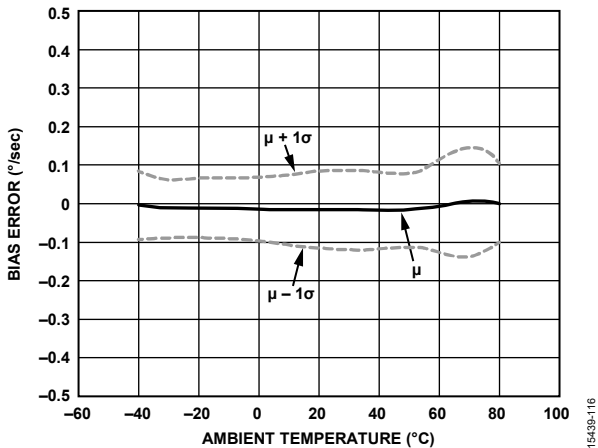


Figure 16. ADIS16467-2 Gyroscope Bias Error vs. Ambient Temperature

# THEORY OF OPERATION

## INTRODUCTION

When using the factory default configuration for all user configurable control registers, the ADIS16467 initializes and automatically starts a continuous process of sampling, processing, and loading calibrated sensor data into the output registers at a rate of 2000 SPS.

## INERTIAL SENSOR SIGNAL CHAIN

Figure 19 shows the basic signal chain for the inertial sensors in the ADIS16467. This signal chain produces an update rate of 2000 SPS in the output data registers when it operates in internal clock mode (default, see Register MSC\_CTRL, Bits[4:2] in Table 105).



Figure 19. Signal Processing Diagram, Inertial Sensors

## Gyroscope Data Sampling

The three gyroscopes produce angular rate measurements around three orthogonal axes (x, y, and z). Figure 20 shows the data sampling plan for each gyroscope when the ADIS16467 operates in internal clock mode (default, see Register MSC\_CTRL, Bits[4:2] in Table 105). Each gyroscope has an analog-to-digital converter (ADC) and sample clock ( $f_{SG}$ ) that drives data sampling at a rate of 4100 Hz ( $\pm 5\%$ ). The internal processor reads and processes this data from each gyroscope at a rate of 2000 Hz ( $f_{SM}$ ).

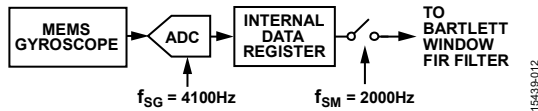


Figure 20. Gyroscope Data Sampling

## Accelerometer Data Sampling

The three accelerometers produce linear acceleration measurements along the same orthogonal axes (x, y, and z) as the gyroscopes. Figure 21 shows the data sampling plan for each accelerometer when the ADIS16467 operates in internal clock mode (default, see Register MSC\_CTRL, Bits[4:2] in Table 105).

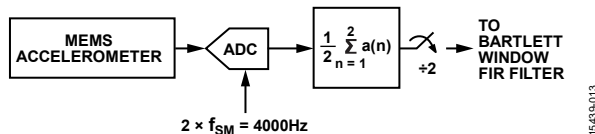


Figure 21. Accelerometer Data Sampling

## External Clock Options

The ADIS16467 provides three different modes of operation that support the device using an external clock to control the internal processing rate ( $f_{SM}$  in Figure 20 and Figure 21) through the SYNC pin. Register MSC\_CTRL (see Table 105) provides the configuration options for these external clock modes in Bits[4:2].

## Inertial Sensor Calibration

The inertial sensor calibration function for the gyroscopes and the accelerometers has two components: factory calibration and user calibration (see Figure 22).

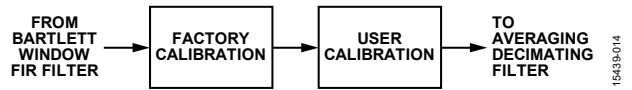


Figure 22. Inertial Sensor Calibration Processing

The factory calibration of the gyroscope applies the following correction formulas to the data of each gyroscope:

$$\begin{bmatrix} \omega_{XC} \\ \omega_{YC} \\ \omega_{ZC} \end{bmatrix} = \begin{bmatrix} m_{11} & m_{12} & m_{13} \\ m_{21} & m_{22} & m_{23} \\ m_{31} & m_{32} & m_{33} \end{bmatrix} \times \begin{bmatrix} \omega_X \\ \omega_Y \\ \omega_Z \end{bmatrix} + \begin{bmatrix} b_X \\ b_Y \\ b_Z \end{bmatrix} + \begin{bmatrix} l_{11} & l_{12} & l_{13} \\ l_{21} & l_{22} & l_{23} \\ l_{31} & l_{32} & l_{33} \end{bmatrix} \times \begin{bmatrix} a_{XC} \\ a_{YC} \\ a_{ZC} \end{bmatrix}$$

where:

$\omega_{XC}$ ,  $\omega_{YC}$ , and  $\omega_{ZC}$  are the gyroscope outputs (post calibration).  $m_{11}$ ,  $m_{12}$ ,  $m_{13}$ ,  $m_{21}$ ,  $m_{22}$ ,  $m_{23}$ ,  $m_{31}$ ,  $m_{32}$ , and  $m_{33}$  provide scale and alignment correction.

$\omega_X$ ,  $\omega_Y$ , and  $\omega_Z$  are the gyroscope outputs (precalibration).  $b_X$ ,  $b_Y$ , and  $b_Z$  provide bias correction.

$l_{11}$ ,  $l_{12}$ ,  $l_{13}$ ,  $l_{21}$ ,  $l_{22}$ ,  $l_{23}$ ,  $l_{31}$ ,  $l_{32}$ , and  $l_{33}$  provide linear g correction  $a_{XC}$ ,  $a_{YC}$ , and  $a_{ZC}$  are the accelerometer outputs (post calibration).

All correction factors in this relationship come from direct observation of the response of each gyroscope at multiple temperatures over the calibration temperature range ( $-40^\circ\text{C} \leq T_C \leq +85^\circ\text{C}$ ). These correction factors are stored in the flash memory bank, but they are not available for observation or configuration. Register MSC\_CTRL, Bit 7 (see Table 105) provides the only user configuration option for the factory calibration of the gyroscopes: an on/off control for the linear g compensation. See Figure 45 for more details on the user calibration options available for the gyroscopes.

The factory calibration of the accelerometer applies the following correction formulas to the data of each accelerometer:

$$\begin{bmatrix} a_{XC} \\ a_{YC} \\ a_{ZC} \end{bmatrix} = \begin{bmatrix} m_{11} & m_{12} & m_{13} \\ m_{21} & m_{22} & m_{23} \\ m_{31} & m_{32} & m_{33} \end{bmatrix} \times \begin{bmatrix} a_X \\ a_Y \\ a_Z \end{bmatrix} + \begin{bmatrix} b_X \\ b_Y \\ b_Z \end{bmatrix} + \begin{bmatrix} 0 & p_{12} & p_{13} \\ p_{21} & 0 & p_{23} \\ p_{31} & p_{32} & 0 \end{bmatrix} \times \begin{bmatrix} \omega_{XC}^2 \\ \omega_{YC}^2 \\ \omega_{ZC}^2 \end{bmatrix}$$

where:

$a_{XC}$ ,  $a_{YC}$ , and  $a_{ZC}$  are the accelerometer outputs (post calibration).  
 $m_{11}$ ,  $m_{12}$ ,  $m_{13}$ ,  $m_{21}$ ,  $m_{22}$ ,  $m_{23}$ ,  $m_{31}$ ,  $m_{32}$ , and  $m_{33}$  provide scale and alignment correction.

$a_X$ ,  $a_Y$ , and  $a_Z$  are the accelerometer outputs (precalibration).  
 $b_X$ ,  $b_Y$ , and  $b_Z$  provide bias correction.

$p_{12}$ ,  $p_{13}$ ,  $p_{21}$ ,  $p_{23}$ ,  $p_{31}$  and  $p_{32}$  provide a point of percussion alignment correction (see Figure 48).

$\omega_{XC}^2$ ,  $\omega_{YC}^2$ , and  $\omega_{ZC}^2$  are the square of the gyroscope outputs (post calibration).

All of the correction factors in this relationship come from direct observation of the response of each accelerometer at multiple temperatures, over the calibration temperature range ( $-40^\circ\text{C} \leq T_c \leq +85^\circ\text{C}$ ). These correction factors are stored in the flash memory bank, but they are not available for observation or configuration. Register MSC\_CTRL, Bit 6 (see Table 105) provides the only user configuration option for the factory calibration of the accelerometers: an on/off control for the point of percussion, alignment function. See Figure 46 for more details on the user calibration options available for the accelerometers.

**Bartlett Window FIR Filter**

The Bartlett window finite impulse response (FIR) filter (see Figure 23) contains two averaging filter stages, in a cascade configuration. The FILT\_CTRL register (see Table 101) provides the configuration controls for this filter.

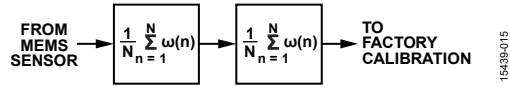


Figure 23. Bartlett Window FIR Filter Signal Path

**Averaging/Decimating Filter**

The second digital filter averages multiple samples together to produce each register update. In this type of filter structure, the number of samples in the average is equal to the reduction in the update rate for the output data registers. The DEC\_RATE register (see Table 109) provides the configuration controls for this filter.

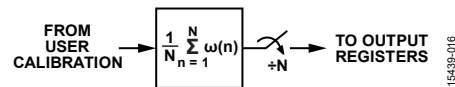


Figure 24. Averaging/Decimating Filter Diagram

**REGISTER STRUCTURE**

All communication between the ADIS16467 and an external processor involves either reading the contents of an output register or writing configuration or command information to a control register. The output data registers include the latest sensor data, error flags, and identification information. The control registers include sample rate, filtering, calibration, and diagnostic options. Each user accessible register has two bytes (upper and lower), each of which has a unique address. See Table 8 for a detailed list of all user registers and the corresponding addresses.

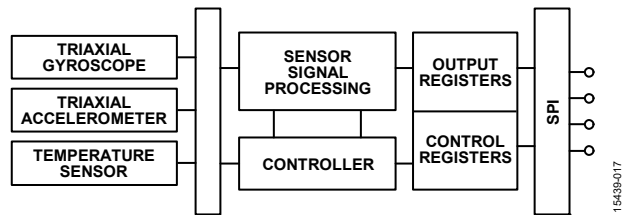


Figure 25. Basic Operation of the ADIS16467

### SERIAL PERIPHERAL INTERFACE (SPI)

The SPI provides access to the user registers (see Table 8). Figure 26 shows the most common connections between the ADIS16467 and a SPI master device, which is often an embedded processor that has an SPI-compatible interface. In this example, the SPI master uses an interrupt service routine to collect data every time the data ready (DR) signal pulses.

Additional information on ADIS16467 SPI can be found in the Applications Information section of this datasheet.

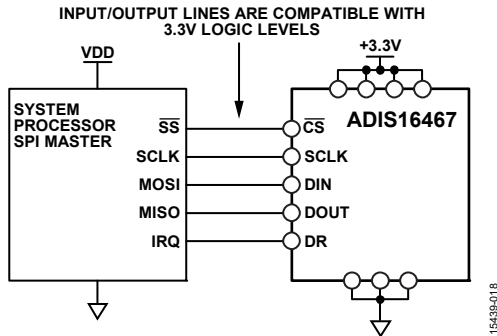


Figure 26. Electrical Connection Diagram

Table 6. Generic SPI Master Pin Mnemonics and Functions

Mnemonic	Function
$\overline{SS}$	Slave select
SCLK	Serial clock
MOSI	Master output, slave input
MISO	Master input, slave output
IRQ	Interrupt request

Embedded processors typically use control registers to configure serial ports for communicating with SPI slave devices, such as the ADIS16467. Table 7 provides a list of settings that describe the SPI protocol of the ADIS16467. The initialization routine of the master processor typically establishes these settings using firmware commands to write them into the control registers.

Table 7. Generic Master Processor SPI Settings

Processor Setting	Description
Master	ADIS16467 operates as slave
$SCLK \leq 2 \text{ MHz}^1$	Maximum serial clock rate
SPI Mode 3	$CPOL = 1$ (polarity), $CPHA = 1$ (phase)
MSB First Mode	Bit sequence, see Figure 31 for coding
16-Bit Mode	Shift register and data length

<sup>1</sup> A burst mode read requires this value to be  $\leq 1 \text{ MHz}$  (see Table 2 for more information).

### DATA READY (DR)

The factory default configuration provides users with a DR signal on the DR pin (see Table 5) that pulses when the output data registers update. Connect the DR pin to a pin on the embedded processor to trigger data collection, on the second edge of this pulse. Register MSC\_CTRL, Bit 0 (see Table 105), controls the polarity of this signal. In Figure 27, Register MSC\_CTRL, Bit 0 = 1, which means that data collection must start on the rising edges of the DR pulses.

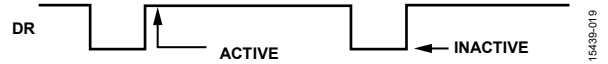


Figure 27. Data Ready When Register MSC\_CTRL, Bit 0 = 1 (Default)

During the start-up and reset recovery processes, the DR signal may exhibit some transient behavior before data production begins. Figure 28 shows an example of the DR behavior during startup, and Figure 29 and Figure 30 provide examples of the DR behavior during recovery from reset commands.

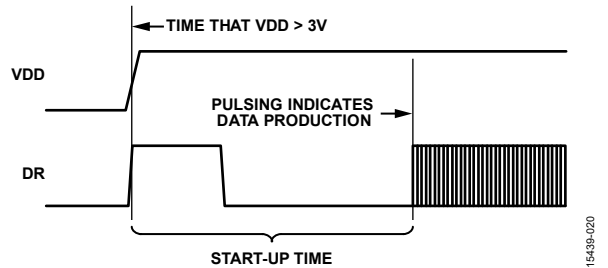


Figure 28. Data Ready Response During Startup

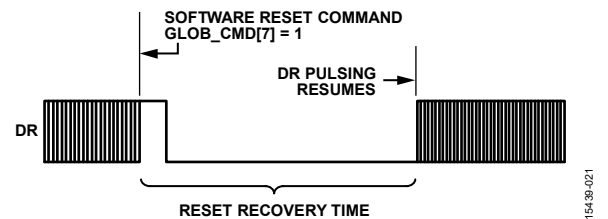


Figure 29. Data Ready Response During Reset (Register GLOB\_CMD, Bit 7 = 1) Recovery

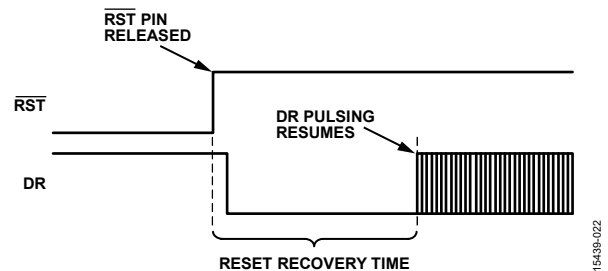
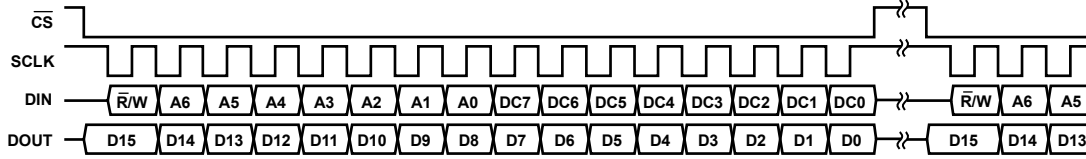


Figure 30. Data Ready Response During Reset ( $\overline{RST} = 0$ ) Recovery



- NOTES
1. DOUT BITS ARE PRODUCED ONLY WHEN THE PREVIOUS 16-BIT DIN SEQUENCE STARTS WITH  $\bar{R}/W = 0$ .
  2. WHEN  $\bar{CS}$  IS HIGH, DOUT IS IN A THREE-STATE, HIGH IMPEDANCE MODE, WHICH ALLOWS MULTIFUNCTIONAL USE OF THE LINE FOR OTHER DEVICES.

Figure 31. SPI Communication Bit Sequence

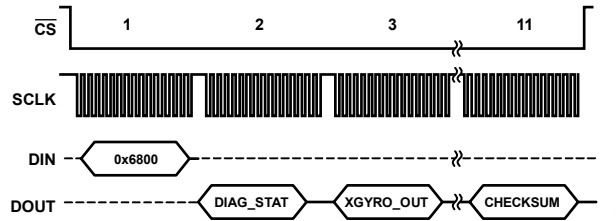


Figure 32. Burst Read Sequence

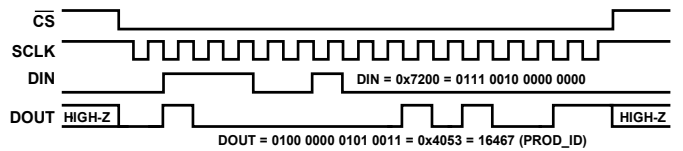


Figure 33. SPI Signal Pattern, Repeating Read of the PROD\_ID Register

**READING SENSOR DATA**

Reading a single register requires two 16-bit cycles on the SPI: one to request the contents of a register and another to receive those contents. The 16-bit command code (see Figure 31) for a read request on the SPI has three parts: the read bit ( $\bar{R}/W = 0$ ), either address of the register, [A6:A0], and eight don't care bits, [DC7:DC0]. Figure 34 shows an example that includes two register reads in succession. This example starts with  $DIN = 0x0C00$ , to request the contents of the Z\_GYRO\_LOW register, and follows with  $0x0E00$ , to request the contents of the Z\_GYRO\_OUT register. The sequence in Figure 34 also shows full duplex mode of operation, which means that the ADIS16467 can receive requests on DIN while also transmitting data out on DOUT within the same 16-bit SPI cycle.



Figure 34. SPI Read Example

Figure 33 shows an example of the four SPI signals when reading the PROD\_ID register (see Table 121) in a repeating pattern. This pattern can be helpful when troubleshooting the SPI interface setup and communications because the signals are the same for each 16-bit sequence, except during the first cycle. Note that the read and write functions using the SPI interface are always 16-bits long. The only exception is the burst read function described in the Burst Read Function section.

**Burst Read Function**

The burst read function provides a way to read the same group of output data registers using a continuous stream of bits at an SCLK rate of up to 1 MHz. This method does not require a stall time between each 16-bit segment (see Figure 3). To start this mode, set  $DIN = 0x6800$  to read register  $0x6800$ , and then read each register in the sequence out of DOUT while keeping  $\bar{CS}$  low for the entire 176-bit sequence (see Figure 32). It is critical to read all 176 bits before the  $\bar{CS}$  pin goes high.

The sequence of registers (and checksum value) in the burst read response depends on which sample clock mode that the ADIS16467 is operating in (Register MSC\_CTRL, Bits[4:2], see Table 105). In all clock modes, except when operating in scaled sync mode (Register MSC\_CTRL, Bits[4:2] = 010), the burst read response includes the following registers and value: DIAG\_STAT, X\_GYRO\_OUT, Y\_GYRO\_OUT, Z\_GYRO\_OUT, X\_ACCL\_OUT, Y\_ACCL\_OUT, Z\_ACCL\_OUT, TEMP\_OUT, DATA\_CNTR, and the checksum value. In these cases, use the following formula to verify the checksum value, treating each byte in the formula as an independent, unsigned, 8-bit number:

$$\begin{aligned}
 \text{Checksum} = & \text{DIAG\_STAT, Bits}[15:8] + \text{DIAG\_STAT, Bits}[7:0] + \\
 & \text{X\_GYRO\_OUT, Bits}[15:8] + \text{X\_GYRO\_OUT, Bits}[7:0] + \\
 & \text{Y\_GYRO\_OUT, Bits}[15:8] + \text{Y\_GYRO\_OUT, Bits}[7:0] + \\
 & \text{Z\_GYRO\_OUT, Bits}[15:8] + \text{Z\_GYRO\_OUT, Bits}[7:0] + \\
 & \text{X\_ACCL\_OUT, Bits}[15:8] + \text{X\_ACCL\_OUT, Bits}[7:0] + \\
 & \text{Y\_ACCL\_OUT, Bits}[15:8] + \text{Y\_ACCL\_OUT, Bits}[7:0] + \\
 & \text{Z\_ACCL\_OUT, Bits}[15:8] + \text{Z\_ACCL\_OUT, Bits}[7:0] + \\
 & \text{TEMP\_OUT, Bits}[15:8] + \text{TEMP\_OUT, Bits}[7:0] + \\
 & \text{DATA\_CNTR, Bits}[15:8] + \text{DATA\_CNTR, Bits}[7:0]
 \end{aligned}$$

When operating in scaled sync mode (Register MSC\_CTRL, Bits[4:2] = 010), the burst read response includes the following registers and value: DIAG\_STAT, X\_GYRO\_OUT, Y\_GYRO\_OUT, Z\_GYRO\_OUT, X\_ACCL\_OUT, Y\_ACCL\_OUT, Z\_ACCL\_OUT, TEMP\_OUT, TIME\_STAMP, and the checksum value. In this case, use the following formula to verify the checksum value, treating each byte in the formula as an independent, unsigned, 8-bit number:

$$\begin{aligned} \text{Checksum} = & \text{DIAG\_STAT, Bits}[15:8] + \text{DIAG\_STAT, Bits}[7:0] + \\ & \text{X\_GYRO\_OUT, Bits}[15:8] + \text{X\_GYRO\_OUT, Bits}[7:0] + \\ & \text{Y\_GYRO\_OUT, Bits}[15:8] + \text{Y\_GYRO\_OUT, Bits}[7:0] + \\ & \text{Z\_GYRO\_OUT, Bits}[15:8] + \text{Z\_GYRO\_OUT, Bits}[7:0] + \\ & \text{X\_ACCL\_OUT, Bits}[15:8] + \text{X\_ACCL\_OUT, Bits}[7:0] + \\ & \text{Y\_ACCL\_OUT, Bits}[15:8] + \text{Y\_ACCL\_OUT, Bits}[7:0] + \\ & \text{Z\_ACCL\_OUT, Bits}[15:8] + \text{Z\_ACCL\_OUT, Bits}[7:0] + \\ & \text{TEMP\_OUT, Bits}[15:8] + \text{TEMP\_OUT, Bits}[7:0] + \\ & \text{TIME\_STAMP, Bits}[15:8] + \text{TIME\_STAMP, Bits}[7:0] \end{aligned}$$

**DEVICE CONFIGURATION**

Each configuration register contains 16 bits (two bytes). Bits[7:0] contain the low byte, and Bits[15:8] contain the high byte of each register. Each byte has a unique address in the user register map (see Table 8). Updating the contents of a register requires writing to both bytes in the following sequence: low byte first, high byte second. There are three parts to coding an SPI command (see Figure 31) that write a new byte of data to a register: the write bit ( $\overline{R/W} = 1$ ), the address of the byte, [A6:A0], and the new data for that location, [DC7:DC0]. Figure 35 shows a coding example for writing 0x0004 to the FILT\_CTRL register (see Table 101). In Figure 35, the 0xDC04 command writes 0x04 to Address 0x5C (lower byte) and the 0xDD00 command writes 0x00 to Address 0x5D (upper byte).

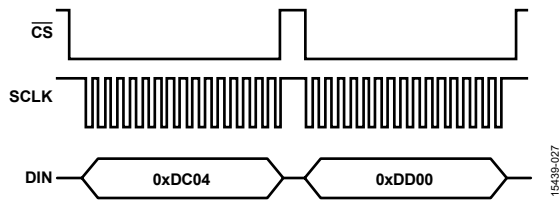


Figure 35. SPI Sequence for Writing 0x0004 to FILT\_CTRL

**Memory Structure**

Figure 36 shows a functional diagram for the memory structure of the ADIS16467. The flash memory bank contains the operational code, unit specific calibration coefficients and user configuration settings. During initialization (power application or reset recover), this information loads from the flash memory into the static random access memory (SRAM), which supports all normal operation, including register access through the SPI port. Writing to a configuration register using the SPI updates the SRAM location of the register but does not automatically update the settings in the flash memory bank. The manual flash memory update command (Register GLOB\_CMD, Bit 3, see Table 113) provides a convenient method for saving all of these settings to the flash memory bank at one time. A yes in the Flash Backup column of Table 8 identifies the registers that have storage support in the flash memory bank.

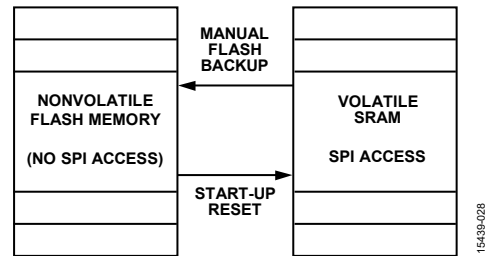


Figure 36. SRAM and Flash Memory Diagram

## USER REGISTER MEMORY MAP

Table 8. User Register Memory Map (N/A Means Not Applicable)

Name	R/W	Flash Backup	Address	Default	Register Description
Reserved	N/A	N/A	0x00, 0x01	N/A	Reserved
DIAG_STAT	R	No	0x02, 0x03	0x0000	Output, system error flags
X_GYRO_LOW	R	No	0x04, 0x05	N/A	Output, x-axis gyroscope, low word
X_GYRO_OUT	R	No	0x06, 0x07	N/A	Output, x-axis gyroscope, high word
Y_GYRO_LOW	R	No	0x08, 0x09	N/A	Output, y-axis gyroscope, low word
Y_GYRO_OUT	R	No	0x0A, 0x0B	N/A	Output, y-axis gyroscope, high word
Z_GYRO_LOW	R	No	0x0C, 0x0D	N/A	Output, z-axis gyroscope, low word
Z_GYRO_OUT	R	No	0x0E, 0x0F	N/A	Output, z-axis gyroscope, high word
X_ACCL_LOW	R	No	0x10, 0x11	N/A	Output, x-axis accelerometer, low word
X_ACCL_OUT	R	No	0x12, 0x13	N/A	Output, x-axis accelerometer, high word
Y_ACCL_LOW	R	No	0x14, 0x15	N/A	Output, y-axis accelerometer, low word
Y_ACCL_OUT	R	No	0x16, 0x17	N/A	Output, y-axis accelerometer, high word
Z_ACCL_LOW	R	No	0x18, 0x19	N/A	Output, z-axis accelerometer, low word
Z_ACCL_OUT	R	No	0x1A, 0x1B	N/A	Output, z-axis accelerometer, high word
TEMP_OUT	R	No	0x1C, 0x1D	N/A	Output, temperature
TIME_STAMP	R	No	0x1E, 0x1F	N/A	Output, time stamp
Reserved	N/A	N/A	0x20, 0x21	N/A	Reserved
DATA_CNTR	R	No	0x22, 0x23	N/A	New data counter
X_DELTANG_LOW	R	No	0x24, 0x25	N/A	Output, x-axis delta angle, low word
X_DELTANG_OUT	R	No	0x26, 0x27	N/A	Output, x-axis delta angle, high word
Y_DELTANG_LOW	R	No	0x28, 0x29	N/A	Output, y-axis delta angle, low word
Y_DELTANG_OUT	R	No	0x2A, 0x2B	N/A	Output, y-axis delta angle, high word
Z_DELTANG_LOW	R	No	0x2C, 0x2D	N/A	Output, z-axis delta angle, low word
Z_DELTANG_OUT	R	No	0x2E, 0x2F	N/A	Output, z-axis delta angle, high word
X_DELTVEL_LOW	R	No	0x30, 0x31	N/A	Output, x-axis delta velocity, low word
X_DELTVEL_OUT	R	No	0x32, 0x33	N/A	Output, x-axis delta velocity, high word
Y_DELTVEL_LOW	R	No	0x34, 0x35	N/A	Output, y-axis delta velocity, low word
Y_DELTVEL_OUT	R	No	0x36, 0x37	N/A	Output, y-axis delta velocity, high word
Z_DELTVEL_LOW	R	No	0x38, 0x39	N/A	Output, z-axis delta velocity, low word
Z_DELTVEL_OUT	R	No	0x3A, 0x3B	N/A	Output, z-axis delta velocity, high word
Reserved	N/A	N/A	0x3C to 0x3F	N/A	Reserved
XG_BIAS_LOW	R/W	Yes	0x40, 0x41	0x0000	Calibration, offset, gyroscope, x-axis, low word
XG_BIAS_HIGH	R/W	Yes	0x42, 0x43	0x0000	Calibration, offset, gyroscope, x-axis, high word
YG_BIAS_LOW	R/W	Yes	0x44, 0x45	0x0000	Calibration, offset, gyroscope, y-axis, low word
YG_BIAS_HIGH	R/W	Yes	0x46, 0x47	0x0000	Calibration, offset, gyroscope, y-axis, high word
ZG_BIAS_LOW	R/W	Yes	0x48, 0x49	0x0000	Calibration, offset, gyroscope, z-axis, low word
ZG_BIAS_HIGH	R/W	Yes	0x4A, 0x4B	0x0000	Calibration, offset, gyroscope, z-axis, high word
XA_BIAS_LOW	R/W	Yes	0x4C, 0x4D	0x0000	Calibration, offset, accelerometer, x-axis, low word
XA_BIAS_HIGH	R/W	Yes	0x4E, 0x4F	0x0000	Calibration, offset, accelerometer, x-axis, high word
YA_BIAS_LOW	R/W	Yes	0x50, 0x51	0x0000	Calibration, offset, accelerometer, y-axis, low word
YA_BIAS_HIGH	R/W	Yes	0x52, 0x53	0x0000	Calibration, offset, accelerometer, y-axis, high word
ZA_BIAS_LOW	R/W	Yes	0x54, 0x55	0x0000	Calibration, offset, accelerometer, z-axis, low word
ZA_BIAS_HIGH	R/W	Yes	0x56, 0x57	0x0000	Calibration, offset, accelerometer, z-axis, high word
Reserved	N/A	N/A	0x58 to 0x5B	N/A	Reserved
FILT_CTRL	R/W	Yes	0x5C, 0x5D	0x0000	Control, Bartlett window FIR filter
RANG_MDL	R	No	0x5E, 0x5F	N/A <sup>1</sup>	Measurement range (model specific) identifier
MSC_CTRL	R/W	Yes	0x60, 0x61	0x00C1	Control, input/output and other miscellaneous options
UP_SCALE	R/W	Yes	0x62, 0x63	0x07D0	Control, scale factor for input clock, pulse per second (PPS) mode
DEC_RATE	R/W	Yes	0x64, 0x65	0x0000	Control, decimation filter (output data rate)



Name	R/W	Flash Backup	Address	Default	Register Description
NULL_CNFG	R/W	Yes	0x66, 0x67	0x070A	Control, bias estimation period
GLOB_CMD	W	No	0x68, 0x69	N/A	Control, global commands
Reserved	N/A	N/A	0x6A to 0x6B	N/A	Reserved
FIRM_REV	R	No	0x6C, 0x6D	N/A	Identification, firmware revision
FIRM_DM	R	No	0x6E, 0x6F	N/A	Identification, date code, day and month
FIRM_Y	R	No	0x70, 0x71	N/A	Identification, date code, year
PROD_ID	R	No	0x72, 0x73	0x4053	Identification, device number
SERIAL_NUM	R	No	0x74, 0x75	N/A	Identification, serial number
USER_SCR_1	R/W	Yes	0x76, 0x77	N/A	User Scratch Register 1
USER_SCR_2	R/W	Yes	0x78, 0x79	N/A	User Scratch Register 2
USER_SCR_3	R/W	Yes	0x7A, 0x7B	N/A	User Scratch Register 3
FLSHCNT_LOW	R	No	0x7C, 0x7D	N/A	Output, flash memory write cycle counter, lower word
FLSHCNT_HIGH	R	No	0x7E, 0x7E	N/A	Output, flash memory write cycle counter, upper word

<sup>1</sup> See Table 102 for the default value in this register, which is model specific.

## USER REGISTER DEFINITIONS

### Status/Error Flag Indicators (DIAG\_STAT)

Table 9. DIAG\_STAT Register Definition

Addresses	Default	Access	Flash Backup
0x02, 0x03	0x0000	R	No

Table 10. DIAG\_STAT Bit Assignments

Bits	Description
[15:8]	Reserved.
7	Clock error. A 1 indicates that the internal data sampling clock ( $f_{SM}$ , see Figure 20 and Figure 21) does not synchronize with the external clock, which only applies when using scaled sync mode (Register MSC_CTRL, Bits[4:2] = 010, see Table 105). When this error occurs, adjust the frequency of the clock signal on the SYNC pin to operate within the appropriate range.
6	Memory failure. A 1 indicates a failure in the flash memory test (Register GLOB_CMD, Bit 4, see Table 113), which involves a comparison between a cyclic redundancy check (CRC) calculation of the present flash memory and a CRC calculation from the same memory locations at the time of initial programming (during the production process). If this error occurs, repeat the same test. If this error persists, replace the ADIS16467.
5	Sensor failure. A 1 indicates failure of at least one sensor, at the conclusion of the self test (Register GLOB_CMD, Bit 2, see Table 113). If this error occurs, repeat the same test. If this error persists, replace the ADIS16467. Motion, during the execution of this test, can cause a false failure.
4	Standby mode. A 1 indicates that the voltage across VDD and GND is <2.8 V, which causes data processing to stop. When VDD ≥ 2.8 V for 250 ms, the ADIS16467 reinitializes and starts producing data again.
3	SPI communication error. A 1 indicates that the total number of SCLK cycles is not equal to an integer multiple of 16. When this error occurs, repeat the previous communication sequence. Persistence in this error may indicate a weakness in the SPI service that the ADIS16467 is receiving from the system it is supporting.
2	Flash memory update failure. A 1 indicates that the most recent flash memory update (Register GLOB_CMD, Bit 3, see Table 113) failed. If this error occurs, ensure that VDD ≥ 3 V and repeat the update attempt. If this error persists, replace the ADIS16467.
1	Datapath overrun. A 1 indicates that one of the datapaths experienced an overrun condition. If this error occurs, initiate a reset using the RST pin (see Table 5, Pin 8) or Register GLOB_CMD, Bit 7 (see Table 113). See the Serial Port Operation section for more details on conditions that may cause this bit to be set to 1.
0	Reserved.

The DIAG\_STAT register (see Table 9 and Table 10) provides error flags for monitoring the integrity and operation of the ADIS16467. Reading this register causes all bits to return to 0. The error flags in DIAG\_STAT are sticky, meaning that, when the flags raise to 1, the flags remain there until a read request clears the flags. If an error condition persists, the flag (bit) automatically returns to an alarm value of 1.

## GYROSCOPE DATA

The gyroscopes in the ADIS16467 measure the angular rate of rotation around three orthogonal axes (x, y, and z). Figure 37 shows the orientation of each gyroscope axis, along with the direction of rotation that produces a positive response in each measurement.

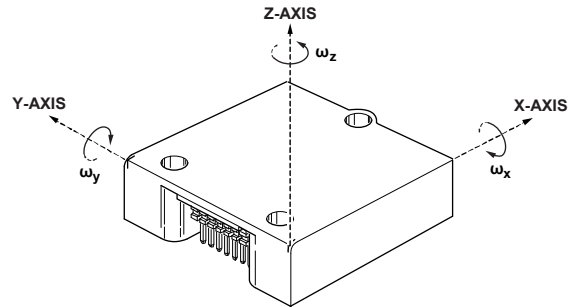


Figure 37. Gyroscope Axis and Polarity Assignments

Each gyroscope has two output data registers. Figure 38 shows how these two registers combine to support a 32-bit, twos complement data format for the x-axis gyroscope measurements. This format also applies to the y- and z-axes. Additional information on the resolution of the accelerometers can be found in the Gyroscope Data Width (Digital Resolution) section.

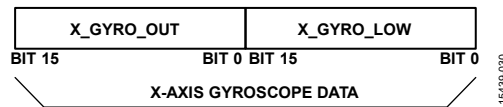


Figure 38. Gyroscope Output Data Structure

### Gyroscope Measurement Range/Scale Factor

Table 11 provides the measurement range ( $\pm\omega_{MAX}$ ) and scale factor ( $K_G$ ) for the gyroscopes in each ADIS16467 model.

Table 11. Gyroscope Measurement Range and Scale Factors

Model	Range, $\pm\omega_{MAX}$ (°/sec)	Scale Factor, $K_G$ (LSB/°/sec)
ADIS16467-1BMLZ	±125	160
ADIS16467-2BMLZ	±500	40
ADIS16467-3BMLZ	±2000	10

### Gyroscope Data Formatting

Table 12 and Table 13 offer various numerical examples that demonstrate the format of the rotation rate data in both 16-bit and 32-bit formats.

Table 12. 16-Bit Gyroscope Data Format Examples

Rotation Rate	Decimal	Hex.	Binary
$+\omega_{MAX}$	+20,000	0x4E20	0100 1110 0010 0000
$+2/K_G$	+2	0x0002	0000 0000 0000 0010
$+1/K_G$	+1	0x0001	0000 0000 0000 0001
0°/sec	0	0x0000	0000 0000 0000 0000
$-1/K_G$	-1	0xFFFF	1111 1111 1111 1111
$-2/K_G$	-2	0xFFFE	1111 1111 1111 1110
$-\omega_{MAX}$	-20,000	0xB1E0	1011 0001 1110 0000

Table 13. 32-Bit Gyroscope Data Format Examples

Rotation Rate (°/sec)	Decimal	Hex.
+ $\omega_{MAX}$	+1,310,720,000	0x4E200000
+2/( $K_G \times 2^{16}$ )	+2	0x00000002
+1/( $K_G \times 2^{16}$ )	+1	0x00000001
0	0	0x00000000
-1/( $K_G \times 2^{16}$ )	-1	0xFFFFFFF
-2/( $K_G \times 2^{16}$ )	-2	0xFFFFFFF
- $\omega_{MAX}$	-1,310,720,000	0xB1E00000

**X-Axis Gyroscope (X\_GYRO\_LOW and X\_GYRO\_OUT)**

Table 14. X\_GYRO\_LOW Register Definition

Addresses	Default	Access	Flash Backup
0x04, 0x05	Not applicable	R	No

Table 15. X\_GYRO\_LOW Bit Definitions

Bits	Description
[15:0]	X-axis gyroscope data; additional resolution bits

Table 16. X\_GYRO\_OUT Register Definition

Addresses	Default	Access	Flash Backup
0x06, 0x07	Not applicable	R	No

Table 17. X\_GYRO\_OUT Bit Definitions

Bits	Description
[15:0]	X-axis gyroscope data; high word; twos complement, 0°/sec = 0x0000, 1 LSB = 1/ $K_G$ (see Table 11 for $K_G$ )

The X\_GYRO\_LOW (see Table 14 and Table 15) and X\_GYRO\_OUT (see Table 16 and Table 17) registers contain the gyroscope data for the x-axis.

**Y-Axis Gyroscope (Y\_GYRO\_LOW and Y\_GYRO\_OUT)**

Table 18. Y\_GYRO\_LOW Register Definition

Addresses	Default	Access	Flash Backup
0x08, 0x09	Not applicable	R	No

Table 19. Y\_GYRO\_LOW Bit Definitions

Bits	Description
[15:0]	Y-axis gyroscope data; additional resolution bits

Table 20. Y\_GYRO\_OUT Register Definition

Addresses	Default	Access	Flash Backup
0x0A, 0x0B	Not applicable	R	No

Table 21. Y\_GYRO\_OUT Bit Definitions

Bits	Description
[15:0]	Y-axis gyroscope data; high word; twos complement, 0°/sec = 0x0000, 1 LSB = 1/ $K_G$ (see Table 11 for $K_G$ )

The Y\_GYRO\_LOW (see Table 18 and Table 19) and Y\_GYRO\_OUT (see Table 20 and Table 21) registers contain the gyroscope data for the y-axis.

**Z-Axis Gyroscope (Z\_GYRO\_LOW and Z\_GYRO\_OUT)**

Table 22. Z\_GYRO\_LOW Register Definition

Addresses	Default	Access	Flash Backup
0x0C, 0x0D	Not applicable	R	No

Table 23. Z\_GYRO\_LOW Bit Definitions

Bits	Description
[15:0]	Z-axis gyroscope data; additional resolution bits

Table 24. Z\_GYRO\_OUT Register Definition

Addresses	Default	Access	Flash Backup
0x0E, 0x0F	Not applicable	R	No

Table 25. Z\_GYRO\_OUT Bit Definitions

Bits	Description
[15:0]	Z-axis gyroscope data; high word; twos complement, 0°/sec = 0x0000, 1 LSB = 1/ $K_G$ (see Table 11 for $K_G$ )

The Z\_GYRO\_LOW (see Table 22 and Table 23) and Z\_GYRO\_OUT (see Table 24 and Table 25) registers contain the gyroscope data for the z-axis.

**Acceleration Data**

The accelerometers in the ADIS16467 measure both dynamic and static (response to gravity) acceleration along the same three orthogonal axes that define the axes of rotation for the gyroscopes (x, y, and z). Figure 39 shows the orientation of each accelerometer axis, along with the direction of acceleration that produces a positive response in each measurement.

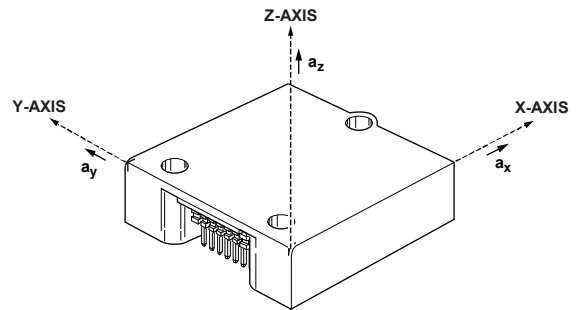


Figure 39. Accelerometer Axis and Polarity Assignments

Each accelerometer has two output data registers. Figure 40 shows how these two registers combine to support a 32-bit, twos complement data format for the x-axis accelerometer measurements. This format also applies to the y- and z-axes. Additional information on the resolution of the accelerometers can be found in the Accelerometer Data Width (Digital Resolution) section.

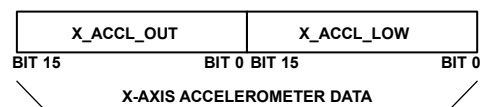


Figure 40. Accelerometer Output Data Structure

**Accelerometer Data Formatting**

Table 26 and Table 27 show various numerical examples that demonstrate the format of the linear acceleration data in both 16-bit and 32-bit formats.

**Table 26. 16-Bit Accelerometer Data Format Examples**

Acceleration	Decimal	Hex.	Binary
+40 g	+32,000	0x7D00	0111 1101 0000 0000
+2.5 mg	+2	0x0002	0000 0000 0000 0010
+1.25 mg	+1	0x0001	0000 0000 0000 0001
0 mg	0	0x0000	0000 0000 0000 0000
-1.25 mg	-1	0xFFFF	1111 1111 1111 1111
-2.5 mg	-2	0xFFFE	1111 1111 1111 1110
-40 g	-32,000	0x8300	1000 0011 0000 0000

**Table 27. 32-Bit Accelerometer Data Format Examples**

Acceleration	Decimal	Hex.
+40 g	+2,097,152,000	0x7D000000
+1.25/2 <sup>15</sup> mg	+2	0x00000002
+1.25/2 <sup>16</sup> mg	+1	0x00000001
0	0	0x00000000
-1.25/2 <sup>16</sup> mg	-1	0xFFFFFFFF
-1.25/2 <sup>15</sup> mg	-2	0xFFFFFFFFE
-40 g	-2,097,152,000	0x83000000

**X-Axis Accelerometer (X\_ACCL\_LOW and X\_ACCL\_OUT)**

**Table 28. X\_ACCL\_LOW Register Definition**

Addresses	Default	Access	Flash Backup
0x10, 0x11	Not applicable	R	No

**Table 29. X\_ACCL\_LOW Bit Definitions**

Bits	Description
[15:0]	X-axis accelerometer data; additional resolution bits

**Table 30. X\_ACCL\_OUT Register Definition**

Addresses	Default	Access	Flash Backup
0x12, 0x13	Not applicable	R	No

**Table 31. X\_ACCL\_OUT Bit Definitions**

Bits	Description
[15:0]	X-axis accelerometer data, high word; twos complement, ±40 g range; 0 g = 0x0000, 1 LSB = 1.25 mg

The X\_ACCL\_LOW (see Table 28 and Table 29) and X\_ACCL\_OUT (see Table 30 and Table 31) registers contain the accelerometer data for the x-axis.

**Y-Axis Accelerometer (Y\_ACCL\_LOW and Y\_ACCL\_OUT)**

**Table 32. Y\_ACCL\_LOW Register Definition**

Addresses	Default	Access	Flash Backup
0x14, 0x15	Not applicable	R	No

**Table 33. Y\_ACCL\_LOW Bit Definitions**

Bits	Description
[15:0]	Y-axis accelerometer data; additional resolution bits

**Table 34. Y\_ACCL\_OUT Register Definition**

Addresses	Default	Access	Flash Backup
0x16, 0x17	Not applicable	R	No

**Table 35. Y\_ACCL\_OUT Bit Definitions**

Bits	Description
[15:0]	Y-axis accelerometer data, high word; twos complement, ±40 g range; 0 g = 0x0000, 1 LSB = 1.25 mg

The Y\_ACCL\_LOW (see Table 32 and Table 33) and Y\_ACCL\_OUT (see Table 34 and Table 35) registers contain the accelerometer data for the y-axis.

**Z-Axis Accelerometer (Z\_ACCL\_LOW and Z\_ACCL\_OUT)**

**Table 36. Z\_ACCL\_LOW Register Definition**

Addresses	Default	Access	Flash Backup
0x18, 0x19	Not applicable	R	No

**Table 37. Z\_ACCL\_LOW Bit Definitions**

Bits	Description
[15:0]	Z-axis accelerometer data; additional resolution bits

**Table 38. Z\_ACCL\_OUT Register Definition**

Addresses	Default	Access	Flash Backup
0x1A, 0x1B	Not applicable	R	No

**Table 39. Z\_ACCL\_OUT Bit Definitions**

Bits	Description
[15:0]	Z-axis accelerometer data, high word; twos complement, ±40 g range; 0 g = 0x0000, 1 LSB = 1.25 mg

The Z\_ACCL\_LOW (see Table 36 and Table 37) and Z\_ACCL\_OUT (see Table 38 and Table 39) registers contain the accelerometer data for the z-axis.

**Internal Temperature (TEMP\_OUT)**

**Table 40. TEMP\_OUT Register Definition**

Addresses	Default	Access	Flash Backup
0x1C, 0x1D	Not applicable	R	No

**Table 41. TEMP\_OUT Bit Definitions**

Bits	Description
[15:0]	Temperature data; twos complement, 1 LSB = 0.1°C, 0°C = 0x0000

The TEMP\_OUT register (see Table 40 and Table 41) provides a coarse measurement of the temperature inside of the ADIS16467. This data is most useful for monitoring relative changes in the thermal environment.

Table 42. TEMP\_OUT Data Format Examples

Temperature (°C)	Decimal	Hex.	Binary
+105	+1050	0x041A	0000 0100 0001 1010
+25	+250	0x00FA	0000 0000 1111 1010
+0.2	+2	0x0002	0000 0000 0000 0010
+0.1	+1	0x0001	0000 0000 0000 0001
+0	0	0x0000	0000 0000 0000 0000
+0.1	-1	0xFFFF	1111 1111 1111 1111
+0.2	-2	0xFFFE	1111 1111 1111 1110
-40	-400	0xFE70	1111 1110 0111 0000

**Time Stamp (TIME\_STAMP)**

Table 43. TIME\_STAMP Register Definition

Addresses	Default	Access	Flash Backup
0x1E, 0x1F	Not applicable	R	No

Table 44. TIME\_STAMP Bit Definitions

Bits	Description
[15:0]	Time from the last pulse on the SYNC pin; offset binary format, 1 LSB = 49.02 μs

The TIME\_STAMP register (see Table 43 and Table 44) works in conjunction with scaled sync mode (Register MSC\_CTRL, Bits[4:2] = 010, see Table 105). The 16-bit number in TIME\_STAMP contains the time associated with the last sample in each data update relative to the most recent edge of the clock signal in the SYNC pin. For example, when the value in the UP\_SCALE register (see Table 107) represents a scale factor of 20, DEC\_RATE = 0, and the external SYNC rate = 100 Hz, the following time stamp sequence results: 0 LSB, 10 LSB, 21 LSB, 31 LSB, 41 LSB, 51 LSB, 61 LSB, 72 LSB, ..., 194 LSB for the 20th sample, which translates to 0 μs, 490 μs, ..., 9510 μs, the time from the first SYNC edge.

**Data Update Counter (DATA\_CNTR)**

Table 45. DATA\_CNTR Register Definition

Addresses	Default	Access	Flash Backup
0x22, 0x23	Not applicable	R	No

Table 46. DATA\_CNTR Bit Definitions

Bits	Description
[15:0]	Data update counter, offset binary format

When the ADIS16467 goes through the power-on sequence or when it recovers from a reset command, DATA\_CNTR (see Table 45 and Table 46) starts with a value of 0x0000 and increments every time new data loads into the output registers. When the DATA\_CNTR value reaches 0xFFFF, the next data update causes it to wrap back around to 0x0000, where it continues to increment every time new data loads into the output registers.

**DELTA ANGLES**

In addition to the angular rate of rotation (gyroscope) measurements around each axis (x, y, and z), the ADIS16467 also provides delta angle measurements that represent a calculation of angular displacement between each sample update.

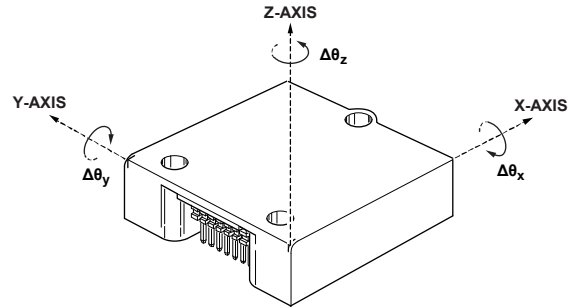


Figure 41. Delta Angle Axis and Polarity Assignments

The delta angle outputs represent an integration of the gyroscope measurements and use the following formula for all three axes (x-axis displayed):

$$\Delta\theta_{x,nD} = \frac{1}{2 \times f_s} \times \sum_{d=0}^{D-1} (\omega_{x,nD+d} + \omega_{x,nD+d-1})$$

where:

x is the x-axis.

n is the sample time, prior to the decimation filter.

D is the decimation rate (DEC\_RATE + 1, see Table 109).

f<sub>s</sub> is the sample rate.

d is the incremental variable in the summation formula.

ω<sub>x</sub> is the x-axis rate of rotation (gyroscope).

When using the internal sample clock, f<sub>s</sub> is equal to a nominal rate of 2000 SPS. For better precision in this measurement, measure the internal sample rate (f<sub>s</sub>) using the data ready signal on the DR pin (DEC\_RATE = 0x0000, see Table 108), divide each delta angle result (from the delta angle output registers) by the data ready frequency and multiply it by 2000. Each axis of the delta angle measurements has two output data registers. Figure 42 shows how these two registers combine to support a 32-bit, twos complement data format for the x-axis delta angle measurements. This format also applies to the y- and z-axes.

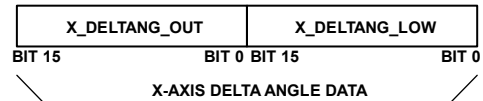


Figure 42. Delta Angle Output Data Structure

**Delta Angle Measurement Range**

Table 47 shows the measurement range and scale factor for each ADIS16467 model.

Table 47. Delta Angle Measurement Range and Scale Factor

Model	Measurement Range, ±Δθ <sub>MAX</sub> (°)
ADIS16467-1BMLZ	±360
ADIS16467-2BMLZ	±720
ADIS16467-3BMLZ	±2160

**X-Axis Delta Angle (X\_DELTANG\_LOW and X\_DELTANG\_OUT)**

Table 48. X\_DELTANG\_LOW Register Definitions

Addresses	Default	Access	Flash Backup
0x24, 0x25	Not applicable	R	No

Table 49. X\_DELTANG\_LOW Bit Definitions

Bits	Description
[15:0]	X-axis delta angle data; low word

Table 50. X\_DELTANG\_OUT Register Definitions

Addresses	Default	Access	Flash Backup
0x26, 0x27	Not applicable	R	No

Table 51. X\_DELTANG\_OUT Bit Definitions

Bits	Description
[15:0]	X-axis delta angle data; twos complement, 0° = 0x0000, 1 LSB = $\Delta\theta_{MAX}/2^{15}$ (see Table 47 for $\Delta\theta_{MAX}$ )

The X\_DELTANG\_LOW (see Table 48 and Table 49) and X\_DELTANG\_OUT (see Table 50 and Table 51) registers contain the delta angle data for the x-axis.

**Y-Axis Delta Angle (Y\_DELTANG\_LOW and Y\_DELTANG\_OUT)**

Table 52. Y\_DELTANG\_LOW Register Definitions

Addresses	Default	Access	Flash Backup
0x28, 0x29	Not applicable	R	No

Table 53. Y\_DELTANG\_LOW Bit Definitions

Bits	Description
[15:0]	Y-axis delta angle data; low word

Table 54. Y\_DELTANG\_OUT Register Definitions

Addresses	Default	Access	Flash Backup
0x2A, 0x2B	Not applicable	R	No

Table 55. Y\_DELTANG\_OUT Bit Definitions

Bits	Description
[15:0]	Y-axis delta angle data; twos complement, 0° = 0x0000, 1 LSB = $\Delta\theta_{MAX}/2^{15}$ (see Table 47 for $\Delta\theta_{MAX}$ )

The Y\_DELTANG\_LOW (see Table 52 and Table 53) and Y\_DELTANG\_OUT (see Table 54 and Table 55) registers contain the delta angle data for the y-axis.

**Z-Axis Delta Angle (Z\_DELTANG\_LOW and Z\_DELTANG\_OUT)**

Table 56. Z\_DELTANG\_LOW Register Definitions

Addresses	Default	Access	Flash Backup
0x2C, 0x2D	Not applicable	R	No

Table 57. Z\_DELTANG\_LOW Bit Definitions

Bits	Description
[15:0]	Z-axis delta angle data; low word

Table 58. Z\_DELTANG\_OUT Register Definitions

Addresses	Default	Access	Flash Backup
0x2E, 0x2F	Not applicable	R	No

Table 59. Z\_DELTANG\_OUT Bit Definitions

Bits	Description
[15:0]	Z-axis delta angle data; twos complement, 0° = 0x0000, 1 LSB = $\Delta\theta_{MAX}/2^{15}$ (see Table 47 for $\Delta\theta_{MAX}$ )

The Z\_DELTANG\_LOW (see Table 56 and Table 57) and Z\_DELTANG\_OUT (see Table 58 and Table 59) registers contain the delta angle data for the z-axis.

**Delta Angle Resolution**

Table 60 and Table 61 show various numerical examples that demonstrate the format of the delta angle data in both 16-bit and 32-bit formats.

Table 60. 16-Bit Delta Angle Data Format Examples

Delta Angle (°)	Decimal	Hex.	Binary
$\Delta\theta_{MAX} \times (2^{15} - 1)/2^{15}$	+32,767	0x7FFF	0111 1111 1110 1111
$+\Delta\theta_{MAX}/2^{14}$	+2	0x0002	0000 0000 0000 0010
$+\Delta\theta_{MAX}/2^{15}$	+1	0x0001	0000 0000 0000 0001
0	0	0x0000	0000 0000 0000 0000
$-\Delta\theta_{MAX}/2^{15}$	-1	0xFFFF	1111 1111 1111 1111
$-\Delta\theta_{MAX}/2^{14}$	-2	0xFFFE	1111 1111 1111 1110
$-\Delta\theta_{MAX}$	-32,768	0x8000	1000 0000 0000 0000

Table 61. 32-Bit Delta Angle Data Format Examples

Delta Angle (°)	Decimal	Hex.
$+\Delta\theta_{MAX} \times (2^{31} - 1)/2^{31}$	+2,147,483,647	0x7FFFFFFF
$+\Delta\theta_{MAX}/2^{30}$	+2	0x00000002
$+\Delta\theta_{MAX}/2^{31}$	+1	0x00000001
0	0	0x00000000
$-\Delta\theta_{MAX}/2^{31}$	-1	0xFFFFFFFF
$-\Delta\theta_{MAX}/2^{30}$	-2	0xFFFFFFFFFE
$-\Delta\theta_{MAX}$	-2,147,483,648	0x80000000

**DELTA VELOCITY**

In addition to the linear acceleration measurements along each axis (x, y, and z), the ADIS16467 also provides delta velocity measurements that represent a calculation of linear velocity change between each sample update.

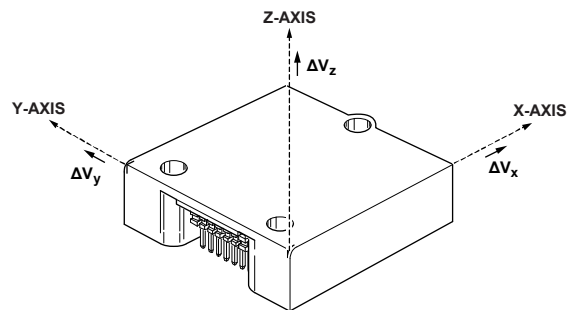


Figure 43. Delta Velocity Axis and Polarity Assignments

The delta velocity outputs represent an integration of the acceleration measurements and use the following formula for all three axes (x-axis displayed):

$$\Delta V_{x,nD} = \frac{1}{2 \times f_s} \times \sum_{d=0}^{D-1} (a_{x,nD+d} + a_{x,nD+d-1})$$

where:

$x$  is the x-axis.

$n$  is the sample time, prior to the decimation filter.

$D$  is the decimation rate (DEC\_RATE + 1, see Table 109).

$f_s$  is the sample rate.

$d$  is the incremental variable in the summation formula.

$a_x$  is the x-axis acceleration.

When using the internal sample clock,  $f_s$  is equal to a nominal rate of 2000 SPS. For better precision in this measurement, measure the internal sample rate ( $f_s$ ) using the data ready signal on the DR pin (DEC\_RATE = 0x0000, see Table 108), divide each delta angle result (from the delta angle output registers) by the data ready frequency and multiply it by 2000. Each axis of the delta velocity measurements has two output data registers. Figure 44 shows how these two registers combine to support a 32-bit, twos complement data format for the delta velocity measurements along the x-axis. This format also applies to the y- and z-axes.

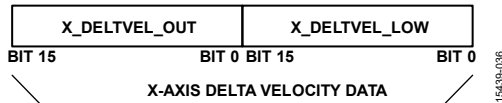


Figure 44. Delta Velocity Output Data Structure

**X-Axis Delta Velocity (X\_DELTVEL\_LOW and X\_DELTVEL\_OUT)**

Table 62. X\_DELTVEL\_LOW Register Definition

Addresses	Default	Access	Flash Backup
0x30, 0x31	Not applicable	R	No

Table 63. X\_DELTVEL\_LOW Bit Definitions

Bits	Description
[15:0]	X-axis delta velocity data; additional resolution bits

Table 64. X\_DELTVEL\_OUT Register Definition

Addresses	Default	Access	Flash Backup
0x32, 0x33	Not applicable	R	No

Table 65. X\_DELTVEL\_OUT Bit Definitions

Bits	Description
[15:0]	X-axis delta velocity data; twos complement, ±400 m/sec range, 0 m/sec = 0x0000; 1 LSB = 400 m/sec ÷ 2 <sup>15</sup> = ~0.01221 m/sec

The X\_DELTVEL\_LOW (see Table 62 and Table 63) and X\_DELTVEL\_OUT (see Table 64 and Table 65) registers contain the delta velocity data for the x-axis.

**Y-Axis Delta Velocity (Y\_DELTVEL\_LOW and Y\_DELTVEL\_OUT)**

Table 66. Y\_DELTVEL\_LOW Register Definition

Addresses	Default	Access	Flash Backup
0x34, 0x35	Not applicable	R	No

Table 67. Y\_DELTVEL\_LOW Bit Definitions

Bits	Description
[15:0]	Y-axis delta velocity data; additional resolution bits

Table 68. Y\_DELTVEL\_OUT Register Definition

Addresses	Default	Access	Flash Backup
0x36, 0x37	Not applicable	R	No

Table 69. Y\_DELTVEL\_OUT Bit Definitions

Bits	Description
[15:0]	Y-axis delta velocity data; twos complement, ±400 m/sec range, 0 m/sec = 0x0000; 1 LSB = 400 m/sec ÷ 2 <sup>15</sup> = ~0.01221 m/sec

The Y\_DELTVEL\_LOW (see Table 66 and Table 67) and Y\_DELTVEL\_OUT (see Table 68 and Table 69) registers contain the delta velocity data for the y-axis.

**Z-Axis Delta Velocity (Z\_DELTVEL\_LOW and Z\_DELTVEL\_OUT)**

Table 70. Z\_DELTVEL\_LOW Register Definition

Addresses	Default	Access	Flash Backup
0x38, 0x39	Not applicable	R	No

Table 71. Z\_DELTVEL\_LOW Bit Definitions

Bits	Description
[15:0]	Z-axis delta velocity data; additional resolution bits

Table 72. Z\_DELTVEL\_OUT Register Definition

Addresses	Default	Access	Flash Backup
0x3A, 0x3B	Not applicable	R	No

Table 73. Z\_DELTVEL\_OUT Bit Definitions

Bits	Description
[15:0]	Z-axis delta velocity data; twos complement, ±400 m/sec range, 0 m/sec = 0x0000; 1 LSB = 400 m/sec ÷ 2 <sup>15</sup> = ~0.01221 m/sec

The Z\_DELTVEL\_LOW (see Table 70 and Table 71) and Z\_DELTVEL\_OUT (see Table 72 and Table 73) registers contain the delta velocity data for the z-axis.

**Delta Velocity Resolution**

Table 74 and Table 75 offer various numerical examples that demonstrate the format of the delta velocity data in both 16-bit and 32-bit formats.

Table 74. 16-Bit Delta Velocity Data Format Examples

Velocity (m/sec)	Decimal	Hex.	Binary
$+400 \times (2^{15} - 1)/2^{15}$	+32,767	0x7FFF	0111 1111 1111 1111
$+400/2^{14}$	+2	0x0002	0000 0000 0000 0010
$+400/2^{15}$	+1	0x0001	0000 0000 0000 0001
0	0	0x0000	0000 0000 0000 0000
$-400/2^{15}$	-1	0xFFFF	1111 1111 1111 1111
$-400/2^{14}$	-2	0xFFFE	1111 1111 1111 1110
-400	-32,768	0x8000	1000 0000 0000 0000

Table 75. 32-Bit Delta Velocity Data Format Examples

Velocity (m/sec)	Decimal	Hex.
$+400 \times (2^{31} - 1)/2^{31}$	+2,147,483,647	0x7FFFFFFF
$+400/2^{30}$	+2	0x00000002
$+400/2^{31}$	+1	0x00000001
0	0	0x00000000
$-400/2^{31}$	-1	0xFFFFFFFF
$-400/2^{30}$	-2	0xFFFFFFFFE
-400	+2,147,483,648	0x80000000

**CALIBRATION**

The signal chain of each inertial sensor (accelerometers and gyroscopes) includes the application of unique correction formulas, which are derived from extensive characterization of bias, sensitivity, alignment, response to linear acceleration (gyroscopes), and point of percussion (accelerometer location) over a temperature range of -40°C to +85°C, for each ADIS16467. These correction formulas are not accessible, but users do have the opportunity to adjust the bias for each sensor individually through user accessible registers. These correction factors follow immediately after the factory derived correction formulas in the signal chain, which processes at a rate of 2000 Hz when using the internal sample clock.

**Calibration, Gyroscope Bias (XG\_BIAS\_LOW and XG\_BIAS\_HIGH)**

Table 76. XG\_BIAS\_LOW Register Definition

Addresses	Default	Access	Flash Backup
0x40, 0x41	0x0000	R/W	Yes

Table 77. XG\_BIAS\_LOW Bit Definitions

Bits	Description
[15:0]	X-axis gyroscope offset correction; lower word

Table 78. XG\_BIAS\_HIGH Register Definition

Addresses	Default	Access	Flash Backup
0x42, 0x43	0x0000	R/W	Yes

Table 79. XG\_BIAS\_HIGH Bit Definitions

Bits	Description
[15:0]	X-axis gyroscope offset correction factor, upper word

The XG\_BIAS\_LOW (see Table 76 and Table 77) and XG\_BIAS\_HIGH (see Table 78 and Table 79) registers combine to allow users to adjust the bias of the x-axis gyroscopes. The data format examples in Table 12 also apply to the XG\_BIAS\_HIGH register,

and the data format examples in Table 13 apply to the 32-bit combination of the XG\_BIAS\_LOW and XG\_BIAS\_HIGH registers. See Figure 45 for an illustration of how these two registers combine and influence the x-axis gyroscope measurements.

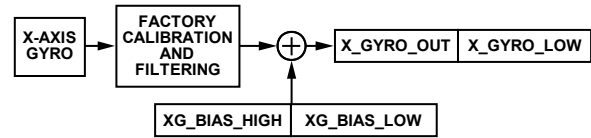


Figure 45. User Calibration Signal Path, Gyroscopes

**Calibration, Gyroscope Bias (YG\_BIAS\_LOW and YG\_BIAS\_HIGH)**

Table 80. YG\_BIAS\_LOW Register Definition

Addresses	Default	Access	Flash Backup
0x44, 0x45	0x0000	R/W	Yes

Table 81. YG\_BIAS\_LOW Bit Definitions

Bits	Description
[15:0]	Y-axis gyroscope offset correction; lower word

Table 82. YG\_BIAS\_HIGH Register Definition

Addresses	Default	Access	Flash Backup
0x46, 0x47	0x0000	R/W	Yes

Table 83. YG\_BIAS\_HIGH Bit Definitions

Bits	Description
[15:0]	Y-axis gyroscope offset correction factor, upper word

The YG\_BIAS\_LOW (see Table 80 and Table 81) and YG\_BIAS\_HIGH (see Table 82 and Table 83) registers combine to allow users to adjust the bias of the y-axis gyroscopes. The data format examples in Table 12 also apply to the YG\_BIAS\_HIGH register, and the data format examples in Table 13 apply to the 32-bit combination of the YG\_BIAS\_LOW and YG\_BIAS\_HIGH registers. These registers influence the y-axis gyroscope measurements in the same manner that the XG\_BIAS\_LOW and XG\_BIAS\_HIGH registers influence the x-axis gyroscope measurements (see Figure 45).

**Calibration, Gyroscope Bias (ZG\_BIAS\_LOW and ZG\_BIAS\_HIGH)**

Table 84. ZG\_BIAS\_LOW Register Definition

Addresses	Default	Access	Flash Backup
0x48, 0x49	0x0000	R/W	Yes

Table 85. ZG\_BIAS\_LOW Bit Definitions

Bits	Description
[15:0]	Z-axis gyroscope offset correction; lower word

Table 86. ZG\_BIAS\_HIGH Register Definition

Addresses	Default	Access	Flash Backup
0x4A, 0x4B	0x0000	R/W	Yes



**Table 87. ZG\_BIAS\_HIGH Bit Definitions**

Bits	Description
[15:0]	Z-axis gyroscope offset correction factor, upper word

The ZG\_BIAS\_LOW (see Table 84 and Table 85) and ZG\_BIAS\_HIGH (see Table 86 and Table 87) registers combine to allow users to adjust the bias of the z-axis gyroscopes. The data format examples in Table 12 also apply to the ZG\_BIAS\_HIGH register, and the data format examples in Table 13 apply to the 32-bit combination of the ZG\_BIAS\_LOW and ZG\_BIAS\_HIGH registers. These registers influence the z-axis gyroscope measurements in the same manner that the XG\_BIAS\_LOW and XG\_BIAS\_HIGH registers influence the x-axis gyroscope measurements (see Figure 45).

**Calibration, Accelerometer Bias (XA\_BIAS\_LOW and XA\_BIAS\_HIGH)**

**Table 88. XA\_BIAS\_LOW Register Definition**

Addresses	Default	Access	Flash Backup
0x4C, 0x4D	0x0000	R/W	Yes

**Table 89. XA\_BIAS\_LOW Bit Definitions**

Bits	Description
[15:0]	X-axis accelerometer offset correction; lower word

**Table 90. XA\_BIAS\_HIGH Register Definition**

Addresses	Default	Access	Flash Backup
0x4E, 0x4F	0x0000	R/W	Yes

**Table 91. XA\_BIAS\_HIGH Bit Definitions**

Bits	Description
[15:0]	X-axis accelerometer offset correction, upper word

The XA\_BIAS\_LOW (see Table 88 and Table 89) and XA\_BIAS\_HIGH (see Table 90 and Table 91) registers combine to allow users to adjust the bias of the x-axis accelerometers. The data format examples in Table 26 also apply to the XA\_BIAS\_HIGH register, and the data format examples in Table 27 apply to the 32-bit combination of the XA\_BIAS\_LOW and XA\_BIAS\_HIGH registers. See Figure 46 for an illustration of how these two registers combine and influence the x-axis accelerometer measurements.

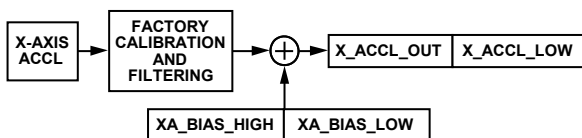


Figure 46. User Calibration Signal Path, Accelerometers

**Calibration, Accelerometer Bias (YA\_BIAS\_LOW and YA\_BIAS\_HIGH)**

**Table 92. YA\_BIAS\_LOW Register Definition**

Addresses	Default	Access	Flash Backup
0x50, 0x51	0x0000	R/W	Yes

**Table 93. YA\_BIAS\_LOW Bit Definitions**

Bits	Description
[15:0]	Y-axis accelerometer offset correction; lower word

**Table 94. YA\_BIAS\_HIGH Register Definition**

Addresses	Default	Access	Flash Backup
0x52, 0x53	0x0000	R/W	Yes

**Table 95. YA\_BIAS\_HIGH Bit Definitions**

Bits	Description
[15:0]	Y-axis accelerometer offset correction, upper word

The YA\_BIAS\_LOW (see Table 92 and Table 93) and YA\_BIAS\_HIGH (see Table 94 and Table 95) registers combine to allow users to adjust the bias of the y-axis accelerometers. The data format examples in Table 26 also apply to the YA\_BIAS\_HIGH register, and the data format examples in Table 27 apply to the 32-bit combination of the YA\_BIAS\_LOW and YA\_BIAS\_HIGH registers. These registers influence the y-axis accelerometer measurements in the same manner that the XA\_BIAS\_LOW and XA\_BIAS\_HIGH registers influence the x-axis accelerometer measurements (see Figure 46).

**Calibration, Accelerometer Bias (ZA\_BIAS\_LOW and ZA\_BIAS\_HIGH)**

**Table 96. ZA\_BIAS\_LOW Register Definition**

Addresses	Default	Access	Flash Backup
0x54, 0x55	0x0000	R/W	Yes

**Table 97. ZA\_BIAS\_LOW Bit Definitions**

Bits	Description
[15:0]	Z-axis accelerometer offset correction; lower word

**Table 98. ZA\_BIAS\_HIGH Register Definition**

Addresses	Default	Access	Flash Backup
0x56, 0x57	0x0000	R/W	Yes

**Table 99. ZA\_BIAS\_HIGH Bit Definitions**

Bits	Description
[15:0]	Z-axis accelerometer offset correction, upper word

The ZA\_BIAS\_LOW (see Table 96 and Table 97) and ZA\_BIAS\_HIGH (see Table 98 and Table 99) registers combine to allow users to adjust the bias of the z-axis accelerometers. The data format examples in Table 26 also apply to the ZA\_BIAS\_HIGH register, and the data format examples in Table 27 apply to the 32-bit combination of the ZA\_BIAS\_LOW and ZA\_BIAS\_HIGH registers. These registers influence the z-axis accelerometer measurements in the same manner that the XA\_BIAS\_LOW and XA\_BIAS\_HIGH registers influence the x-axis accelerometer measurements (see Figure 46).

**Filter Control Register (FILT\_CTRL)**

**Table 100. FILT\_CTRL Register Definition**

Addresses	Default	Access	Flash Backup
0x5C, 0x5D	0x0000	R/W	Yes

**Table 101. FILT\_CTRL Bit Definitions**

Bits	Description
[15:3]	Not used
[2:0]	Filter Size Variable B, number of taps in each stage; N = 2 <sup>B</sup>

The FILT\_CTRL register (see Table 100 and Table 101) provides user controls for the Bartlett window FIR filter (see Figure 23), which contains two cascaded averaging filters. For example, use the following sequence to set Register FILT\_CTRL, Bits[2:0] = 100, which sets each stage to have 16 taps: 0xCC04 and 0xCD00. Figure 47 provides the frequency response for several settings in the FILT\_CTRL register.

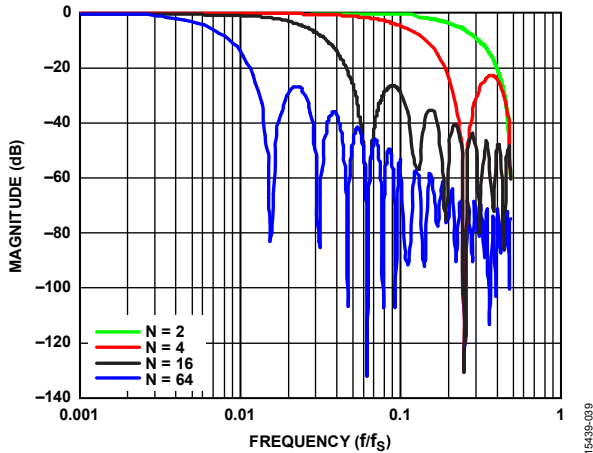


Figure 47. Bartlett Window, FIR Filter Frequency Response (Phase Delay = N Samples)

**Range Identifier (RANG\_MDL)**

Table 102. RANG\_MDL Register Definition

Addresses	Default	Access	Flash Backup
0x5E, 0x5F	Not applicable	R	No

Table 103. RANG\_MDL Bit Definitions

Bits	Description
[15:3]	Not used
[3:2]	Gyroscope measurement range 00 = ±125°/sec (ADIS16467-1BMLZ) 01 = ±500°/sec (ADIS16467-2BMLZ) 10 = reserved 11 = ±2000°/sec (ADIS16467-3BMLZ)
[1:0]	Reserved, binary value = 11

**Miscellaneous Control Register (MSC\_CTRL)**

Table 104. MSC\_CTRL Register Definition

Addresses	Default	Access	Flash Backup
0x60, 0x61	0x00C1	R/W	Yes

Table 105. MSC\_CTRL Bit Definitions

Bits	Description
[15:8]	Not used
7	Linear <i>g</i> compensation for gyroscopes (1 = enabled)
6	Point of percussion alignment (1 = enabled)
5	Not used, always set to zero
[4:2]	SYNC function setting 111 = reserved (do not use) 110 = reserved (do not use) 101 = pulse sync mode 100 = reserved (do not use) 011 = output sync mode 010 = scaled sync mode 001 = direct sync mode 000 = internal clock mode (default)
1	SYNC polarity (input or output) 1 = rising edge triggers sampling 0 = falling edge triggers sampling
0	DR polarity 1 = active high when data is valid 0 = active low when data is valid

**Point of Percussion**

Register MSC\_CTRL, Bit 6 (see Table 105) offers an on/off control for the point of percussion alignment function, which maps the accelerometer sensors to the corner of the package shown in Figure 48. The factory default setting in the MSC\_CTRL register activates this function. To turn this function off while retaining the rest of the factory default settings in the MSC\_CTRL register, set Register MSC\_CTRL, Bit 6 = 0, using the following command sequence on the DIN pin: 0xE081, then 0xE100.

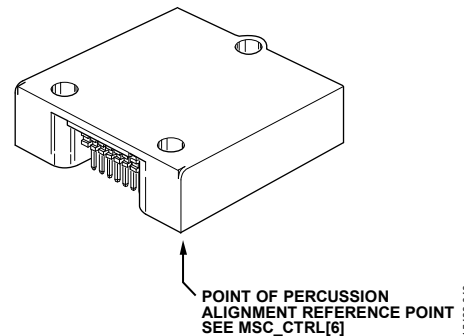


Figure 48. Point of Percussion Reference Point

**Linear Acceleration Effect on Gyroscope Bias**

Register MSC\_CTRL, Bit 7 (see Table 105) provides an on/off control for the linear *g* compensation in the signal calibration routines of the gyroscope. The factory default contents in the MSC\_CTRL register enable this compensation. To turn the compensation off, set Register MSC\_CTRL, Bit 7 = 0, using the following sequence on the DIN pin: 0xE041, 0xE100.

**Internal Clock Mode**

Register MSC\_CTRL, Bits[4:2] (see Table 105), provide five different configuration options for controlling the clock ( $f_{SM}$ ; see Figure 20 and Figure 21), which controls data acquisition and processing for the inertial sensors. The default setting for Register MSC\_CTRL, Bits[4:2] is 000 (binary), which places the ADIS16467 in internal clock mode. In this mode, an internal clock controls inertial sensor data acquisition and processing at a nominal rate of 2000 Hz. In this mode, each accelerometer data update comes from an average of two data samples (sample rate = 4000 Hz).

**Direct Sync Mode**

When Register MSC\_CTRL, Bits[4:2] = 001, the ADIS16467 operates in direct sync mode. The signal on the SYNC pin directly controls the sample clock. In this mode, the internal processor collects gyroscope data samples on the rising edge of the clock signal (SYNC pin) and collects accelerometer data samples on both rising and falling edges of the clock signal. The internal processor averages both accelerometer samples (from rising and falling edge of the clock signal) together to produce a single data sample. Therefore, when operating the ADIS16467 in this mode, the clock signal (SYNC pin) must have a duty cycle of 50% and a frequency that is within the range of 1900 Hz to 2100 Hz. The ADIS16467 is capable of operating when the clock frequency (SYNC pin) is less than 1900 Hz, but with risk of performance degradation, especially when tracking dynamic inertial conditions (including vibration).

**Scaled Sync Mode**

When Register MSC\_CTRL, Bits[4:2] = 010, the ADIS16467 operates in scaled sync mode that supports a frequency range of 1 Hz to 128 Hz for the clock signal on the SYNC pin. This mode of operation is particularly useful when synchronizing the data processing with a PPS signal from a global positioning system (GPS) receiver or with a synchronization signal from a video processing system. When operating in scaled sync mode, the frequency of the sample clock is equal to the product of the external clock scale factor,  $K_{ECSF}$  (from the UP\_SCALE register, see Table 106 and Table 107), and the frequency of the clock signal on the SYNC pin.

For example, when using a 1 Hz input signal, set UP\_SCALE = 0x07D0 ( $K_{ECSF} = 2000$  (decimal)) to establish a sample rate of 2000 SPS for the inertial sensors and the signal processing. Use the following sequence on the DIN pin to configure UP\_SCALE for this scenario: 0xE2D0, then 0xE307.

**Table 106. UP\_SCALE Register Definition**

Addresses	Default	Access	Flash Backup
0x62, 0x63	0x07D0	R/W	Yes

**Table 107. UP\_SCALE Bit Definitions**

Bits	Description
[15:0]	$K_{ECSF}$ ; binary format

**Output Sync Mode**

When Register MSC\_CTRL, Bits[4:2] = 011, the ADIS16467 operates in output sync mode, which is the same as internal clock mode with one exception: the SYNC pin pulses when the internal processor collects data from the inertial sensors. Figure 49 provides an example of this signal.

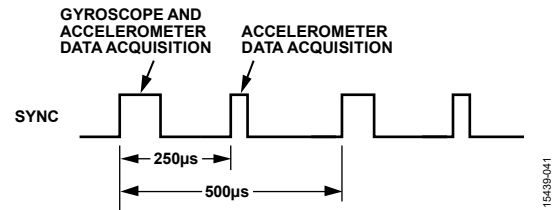


Figure 49. Sync Output Signal, Register MSC\_CTRL, Bits[4:2] = 011

**Pulse Sync Mode**

When operating in pulse sync mode (Register MSC\_CTRL, Bits[4:2] = 101), the internal processor only collects accelerometer samples on the leading edge of the clock signal, which enables the use of a narrow pulse width (see Table 2) in the clock signal on the SYNC pin. Using pulse sync mode also lowers the bandwidth on the inertial sensors to 370 Hz. When operating in the pulse sync mode, the ADIS16467 provides the best performance when the frequency of the clock signal (SYNC pin) is within the range of 1000 Hz to 2100 Hz. The ADIS16467 is capable of operating when the clock frequency (SYNC pin) is less than 1000 Hz, but with risk of performance degradation, especially when tracking dynamic inertial conditions (including vibration).

**Decimation Filter (DEC\_RATE)**

**Table 108. DEC\_RATE Register Definition**

Addresses	Default	Access	Flash Backup
0x64, 0x65	0x0000	R/W	Yes

**Table 109. DEC\_RATE Bit Definitions**

Bits	Description
[15:11]	Don't care
[10:0]	Decimation rate, binary format, maximum = 1999

The DEC\_RATE register (see Table 108 and Table 109) provides user control for the averaging decimating filter, which averages and decimates the gyroscope and accelerometer data; it also extends the time that the delta angle and the delta velocity track between each update. When the ADIS16467 operates in internal clock mode (see Register MSC\_CTRL, Bits[4:2], in Table 105), the nominal output data rate is equal to  $2000 / (DEC\_RATE + 1)$ . For example, set DEC\_RATE = 0x0013 to reduce the output sample rate to 100 SPS ( $2000 \div 20$ ), using the following DIN pin sequence: 0xE413, then 0xE500.

**Data Update Rate in External Sync Modes**

When using the input sync option, in scaled sync mode (Register MSC\_CTRL, Bits[4:2] = 010, see Table 105), the output data rate is equal to

$$(f_{SYNC} \times K_{ECSF}) / (DEC\_RATE + 1)$$

where:

$f_{\text{SYNC}}$  is the frequency of the clock signal on the SYNC pin.

$K_{\text{ESCF}}$  is the value from the UP\_SCALE register (see Table 107).

When using direct sync mode and pulse sync mode,  $K_{\text{ESCF}} = 1$ .

### Continuous Bias Estimation (NULL\_CNFG)

Table 110. NULL\_CNFG Register Definition

Addresses	Default	Access	Flash Backup
0x66, 0x67	0x070A	R/W	Yes

Table 111. NULL\_CNFG Bit Definitions

Bits	Description
[15:14]	Not used
13	Z-axis accelerometer bias correction enable (1 = enabled)
12	Y-axis accelerometer bias correction enable (1 = enabled)
11	X-axis accelerometer bias correction enable (1 = enabled)
10	Z-axis gyroscope bias correction enable (1 = enabled)
9	Y-axis gyroscope bias correction enable (1 = enabled)
8	X-axis gyroscope bias correction enable (1 = enabled)
[7:4]	Not used
[3:0]	Time base control (TBC), range: 0 to 12 (default = 10); $t_b = 2^{\text{TBC}}/2000$ , time base; $t_a = 64 \times t_b$ , average time

The NULL\_CNFG register (see Table 110 and Table 111) provides the configuration controls for the continuous bias estimator (CBE), which associates with the bias correction update command in Register GLOB\_CMD, Bit 0 (see Table 113). Register NULL\_CNFG, Bits[3:0], establishes the total average time ( $t_a$ ) for the bias estimates and Register NULL\_CNFG, Bits[13:8], provide the on/off controls for each sensor. The factory default configuration for the NULL\_CNFG register enables the bias null command for the gyroscopes, disables the bias null command for the accelerometers, and sets the average null time to ~32 sec.

### Global Commands (GLOB\_CMD)

Table 112. GLOB\_CMD Register Definition

Addresses	Default	Access	Flash Backup
0x68, 0x69	Not applicable	W	No

Table 113. GLOB\_CMD Bit Definitions

Bits	Description
[15:8]	Not used
7	Software reset
[6:5]	Not used
4	Flash memory test
3	Flash memory update
2	Sensor self test
1	Factory calibration restore
0	Bias correction update

The GLOB\_CMD register (see Table 112 and Table 113) provides trigger bits for several operations. Write a 1 to the appropriate bit in GLOB\_CMD to start a particular function. During the execution of these commands, data production stops, pulsing stops on the DR pin, and the SPI interface does not respond to requests.

Table 1 provides the execution time for each GLOB\_CMD command.

### Software Reset

Use the following DIN sequence to set Register GLOB\_CMD, Bit 7 = 1, which triggers a reset: 0xE880, then 0xE900. This reset clears all data, and then restarts data sampling and processing. This function provides a firmware alternative to toggling the RST pin (see Table 5, Pin 8).

### Flash Memory Test

Use the following DIN sequence to set Register GLOB\_CMD, Bit 4 = 1, which tests the flash memory: 0xE810, then 0xE900. The command performs a CRC computation on the flash memory (excluding user register locations) and compares it to the original CRC value, which comes from the factory configuration process. If the current CRC value does not match the original CRC value, Register DIAG\_STAT, Bit 6 (see Table 10), rises to 1, indicating a failing result.

### Flash Memory Update

Use the following DIN sequence to set Register GLOB\_CMD, Bit 3 = 1, which triggers a backup of all user configurable registers in the flash memory: 0xE808, then 0xE900. Register DIAG\_STAT, Bit 2 (see Table 10), identifies success (0) or failure (1) in completing this process.

### Sensor Self Test

Use the following DIN sequence to set Register GLOB\_CMD, Bit 2 = 1, which triggers the self test routine for the inertial sensors: 0xE804, then 0xE900. The self test routine uses the following steps to validate the integrity of each inertial sensor:

1. Measure the output on each sensor.
2. Activate an internal stimulus on the mechanical elements of each sensor to move them in a predictable manner and create an observable response in the sensors.
3. Measure the output response on each sensor.
4. Deactivate the internal stimulus on each sensor.
5. Calculate the difference between the sensor measurements from Step 1 (stimulus is off) and from Step 3 (stimulus is on).
6. Compare the difference with internal pass and fail criteria.
7. Report the pass and fail result to Register DIAG\_STAT, Bit 5 (see Table 10).

Motion during the execution of this test can indicate a false failure.

### Factory Calibration Restore

Use the following DIN sequence to set Register GLOB\_CMD, Bit 1 = 1 to restore the factory default settings for the MSC\_CTRL, DEC\_RATE, and FILT\_CTRL registers and to clear all user configurable bias correction settings: 0xE802, then 0xE900. Executing this command results in writing 0x0000 to the following registers: XG\_BIAS\_LOW, XG\_BIAS\_HIGH, YG\_BIAS\_LOW, YG\_BIAS\_HIGH, ZG\_BIAS\_LOW, ZG\_BIAS\_HIGH, XA\_BIAS\_LOW, XA\_BIAS\_HIGH, YA\_BIAS\_LOW, YA\_BIAS\_HIGH, ZA\_BIAS\_LOW, and ZA\_BIAS\_HIGH.

**Bias Correction Update**

Use the following DIN pin sequence to set Register GLOB\_CMD, Bit 0 = 1 to trigger a bias correction, using the correction factors from the CBE (see Table 111): 0xE801, then 0xE900.

**Firmware Revision (FIRM\_REV)****Table 114. FIRM\_REV Register Definition**

Addresses	Default	Access	Flash Backup
0x6C, 0x6D	Not applicable	R	No

**Table 115. FIRM\_REV Bit Definitions**

Bits	Description
[15:0]	Firmware revision, binary coded decimal (BCD) format

The FIRM\_REV register (see Table 114 and Table 115) provides the firmware revision for the internal firmware. This register uses a BCD format, where each nibble represents a digit. For example, if FIRM\_REV = 0x0104, the firmware revision is 1.04.

**Firmware Revision Day and Month (FIRM\_DM)****Table 116. FIRM\_DM Register Definition**

Addresses	Default	Access	Flash Backup
0x6E, 0x6F	Not applicable	R	No

**Table 117. FIRM\_DM Bit Definitions**

Bits	Description
[15:8]	Factory configuration month, BCD format
[7:0]	Factory configuration day, BCD format

The FIRM\_DM register (see Table 116 and Table 117) contains the month and day of the factory configuration date. Register FIRM\_DM, Bits[15:8], contain digits that represent the month of the factory configuration. For example, November is the 11<sup>th</sup> month in a year and is represented by Register FIRM\_DM, Bits[15:8] = 0x11. Register FIRM\_DM, Bits[7:0], contain the day of factory configuration. For example, the 27<sup>th</sup> day of the month is represented by Register FIRM\_DM, Bits[7:0] = 0x27.

**Firmware Revision Year (FIRM\_Y)****Table 118. FIRM\_Y Register Definition**

Addresses	Default	Access	Flash Backup
0x70, 0x71	Not applicable	R	No

**Table 119. FIRM\_Y Bit Definitions**

Bits	Description
[15:0]	Factory configuration year, BCD format

The FIRM\_Y register (see Table 118 and Table 119) contains the year of the factory configuration date. For example, the year, 2017, is represented by FIRM\_Y = 0x2017.

**Product Identification (PROD\_ID)****Table 120. PROD\_ID Register Definition**

Addresses	Default	Access	Flash Backup
0x72, 0x73	0x4053	R	No

**Table 121. PROD\_ID Bit Definitions**

Bits	Description
[15:0]	Product identification = 0x4053

The PROD\_ID register (see Table 120 and Table 121) contains the numerical portion of the device number (16,467). See Figure 33 for an example of how to use a looping read of this register to validate the integrity of the communication.

**Serial Number (SERIAL\_NUM)****Table 122. SERIAL\_NUM Register Definition**

Addresses	Default	Access	Flash Backup
0x74, 0x75	Not applicable	R	No

**Table 123. SERIAL\_NUM Bit Definitions**

Bits	Description
[15:0]	Lot specific serial number

**Scratch Registers (USER\_SCR\_1 to USER\_SCR\_3)****Table 124. USER\_SCR\_1 Register Definition**

Addresses	Default	Access	Flash Backup
0x76, 0x77	Not applicable	R/W	Yes

**Table 125. USER\_SCR\_1 Bit Definitions**

Bits	Description
[15:0]	User defined

**Table 126. USER\_SCR\_2 Register Definition**

Addresses	Default	Access	Flash Backup
0x78, 0x79	Not applicable	R/W	Yes

**Table 127. USER\_SCR\_2 Bit Definitions**

Bits	Description
[15:0]	User defined

**Table 128. USER\_SCR\_3 Register Definition**

Addresses	Default	Access	Flash Backup
0x7A, 0x7B	Not applicable	R/W	Yes

**Table 129. USER\_SCR\_3 Bit Definitions**

Bits	Description
[15:0]	User defined

The USER\_SCR\_1 (see Table 124 and Table 125), USER\_SCR\_2 (see Table 126 and Table 127), and USER\_SCR\_3 (see Table 128 and Table 129) registers provide three locations for the user to store information. For nonvolatile storage, use the manual flash memory update command (Register GLOB\_CMD, Bit 3, see Table 113), after writing information to these registers.

**Flash Memory Endurance Counter (FLSHCNT\_LOW and FLSHCNT\_HIGH)****Table 130. FLSHCNT\_LOW Register Definition**

Addresses	Default	Access	Flash Backup
0x7C, 0x7D	Not applicable	R	No

Table 131. FLSHCNT\_LOW Bit Definitions

Bits	Description
[15:0]	Flash memory write counter, low word

Table 132. FLSHCNT\_HIGH Register Definition

Addresses	Default	Access	Flash Backup
0x7E, 0x7F	Not applicable	R	No

Table 133. FLSHCNT\_HIGH Bit Definitions

Bits	Description
[15:0]	Flash memory write counter, high word

The FLSHCNT\_LOW (see Table 130 and Table 131) and FLSHCNT\_HIGH (see Table 132 and Table 133) registers combine to provide a 32-bit, binary counter that tracks the number of flash memory write cycles. In addition to the number of write cycles, the flash memory has a finite service lifetime, which depends on the junction temperature. Figure 50 provides guidance for estimating the retention life for the flash memory at specific junction temperatures. The junction temperature is approximately 7°C above the case temperature.

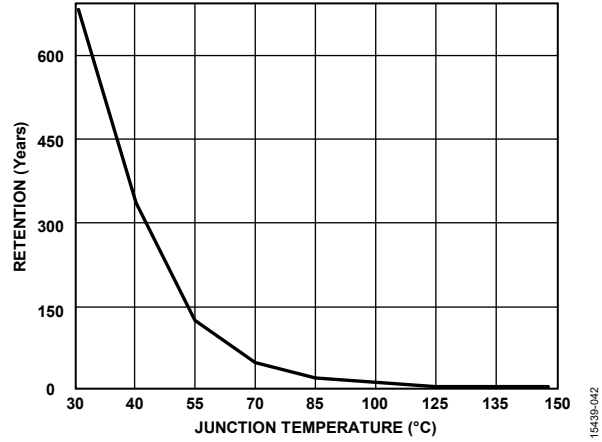


Figure 50. Flash Memory Retention

154139-042

# APPLICATIONS INFORMATION

## ASSEMBLY AND HANDLING TIPS

### Mounting Tips

The ADIS16467 package supports installation onto a PCB or rigid enclosure, using three M2 or 2-56 machine screws, using a torque that is between 20 inch ounces and 40 inch ounces. When designing a mechanical interface for the ADIS16467, avoid placing unnecessary translational stress on the electrical connector because this can influence the bias repeatability behaviors of the inertial sensors. When the same PCB also has the mating connector, the use of passthrough holes for the mounting screws may be required. Figure 51 shows a detailed view of the PCB pad design when using one of the connector variants in the CLM-107-02 family.

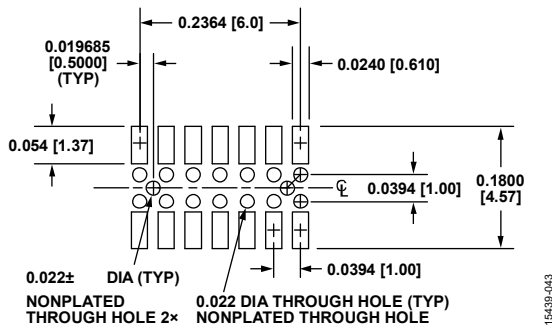


Figure 51. Mating Connector Design Detail

## POWER SUPPLY CONSIDERATIONS

The ADIS16467 contains 6 μF of decoupling capacitance across the VDD and GND pins. When the VDD voltage raises from 0 V to 3.3 V, the charging current for this capacitor bank imposes the following current profile (in amperes):

$$I_{DD}(t) = C \frac{dVDD}{dt} = 6 \times 10^{-6} \times \frac{dVDD(t)}{dt}$$

where:

$I_{DD}(t)$  is the current demand on the VDD pin during the initial power supply ramp, with respect to time.

$C$  is the internal capacitance across the VDD and GND pins (6 μF).

$VDD(t)$  is the voltage on the VDD pin, with respect to time.

For example, if VDD follows a linear ramp from 0 V to 3.3 V, in 66 μs, the charging current is 300 mA for that timeframe. The ADIS16467 also contains embedded processing functions that present transient current demands during initialization or reset recovery operations. During these processes, the peak current demand reaches 250 mA and occurs at a time that is approximately 40 ms after VDD reaches 3.0 V (or ~40 ms after initiating a reset sequence).

## BREAKOUT BOARD

The ADIS16IMU4/PCBZ breakout board provides a ribbon cable interface for simple connection to an embedded processor development system. Figure 52 shows the electrical schematic, and Figure 53 shows a top view for this breakout board. J2 mates directly to the electrical connector on the ADIS16467, and J1 easily mates to a 1 mm ribbon cable system.

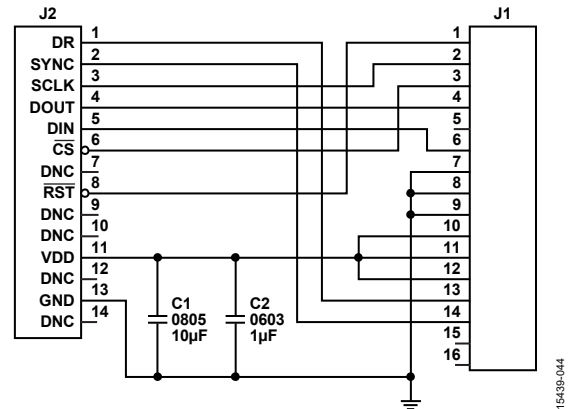


Figure 52. ADIS16IMU4/PCBZ Electrical Schematic

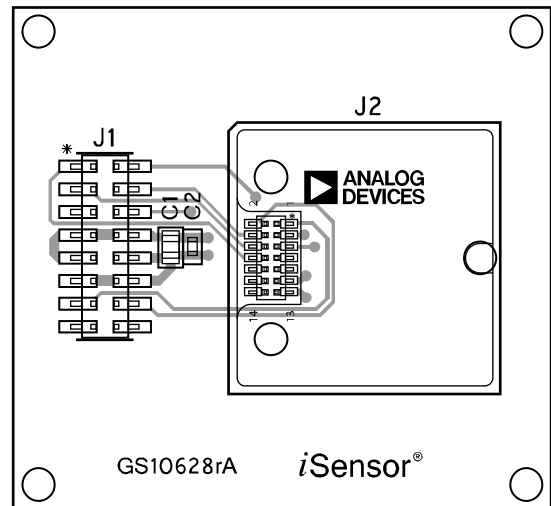


Figure 53. ADIS16IMU4/PCBZ Top View

J1	
RST	1
CS	2
DNC	3
GND	4
GND	5
VDD	6
VDD	7
DR	8
NC	9
SCLK	10
DOUT	11
DIN	12
GND	13
GND	14
VDD	15
VDD	16
NC	17
NC	18

Figure 54. ADIS16IMU4/PCBZ J1 Pin Assignments

## SERIAL PORT OPERATION

### Maximum Throughput

When operating with the maximum output data (DEC\_RATE = 0x0000, as described in Table 109), the maximum SCLK rate (defined in Table 2) and minimum stall time, the SPI port can support up to 12, 16-bit register reads in between each pulse of the data ready signal. Attempting to read more than 12 registers can result in a datapath overrun error in the DIAG\_STAT register (see Table 10). The serial port stall time ( $t_{STALL}$ ) to meet these requirements must be no more than 10% greater than the minimum specification for  $t_{STALL}$  in Table 2.

The number of allowable registers reads between each pulse on the data ready line increases proportionally with the decimation rate (set by the DEC\_RATE register, see Table 109). For example, when the decimation rate equals 3 (DEC\_RATE = 0x0002), the SPI is able to support up to 36 register reads, assuming maximum SCLK rate and minimum stall times in the protocol. Decreasing the SCLK rate and increasing the stall time lowers the total number of register reads supported by the ADIS16467 before a datapath overrun error occurs.

This limitation of reading 12, 16-bit registers does not impact the ability of the user to access the full precision of the gyroscopes and accelerometers if the factory default settings of DEC\_RATE = 0x0000 and FILT\_CTRL = 0x0000 are used. In this case, the data width for the gyroscope and accelerometer data is 16 bits, and application processors can acquire all relevant information through the X\_GYRO\_OUT, Y\_GYRO\_OUT, Z\_GYRO\_OUT, X\_ACCEL\_OUT, Y\_ACCEL\_OUT, and Z\_ACCEL\_OUT registers. Thirty-two bit reads of the sensor data do not provide additional precision in this case. See the Gyroscope Data Width (Digital Resolution) section and the Accelerometer Data Width (Digital Resolution) section for more information.

### Serial Port SCLK Underrun/Overrun Conditions

The serial port operates in 16-bit segments and it is critical that the number of SCLK cycles be equal to an integer multiple of 16 when the  $\overline{CS}$  pin is low. Failure to meet this condition causes the serial port controller inside of the ADIS16467 to be unable to correctly receive and respond to new requests.

If too many SCLK cycles are received before the  $\overline{CS}$  pin is deasserted, the user can recover serial port operation by asserting  $\overline{CS}$ , providing 17 rising edges on the SCLK line, deasserting  $\overline{CS}$ , and then attempting to correctly read the PROD\_ID (or other read-only) register on the ADIS16467. The user should repeat these steps up to a maximum of 15 times until the correct data is read.

If  $\overline{CS}$  is deasserted before enough SCLK cycles are received, the user must either power cycle or issue a hard reset (using the RST pin) to regain SPI port access.

## DIGITAL RESOLUTION OF GYROSCOPES AND ACCELEROMETERS

### Gyroscope Data Width (Digital Resolution)

The decimation filter (DEC\_RATE register, see Table 109) and Bartlett window filter (FILT\_CTRL register, see Table 101) have direct influence over the total number of bits in the output data registers, which contain relevant information. When using the factory default settings (DEC\_RATE = 0x0000, FILT\_CTRL = 0x0000) for these filters, the data width for the gyroscope data width is 16 bits, which means that application processors can acquire all relevant information through the X\_GYRO\_OUT, Y\_GYRO\_OUT, and Z\_GYRO\_OUT registers.

The X\_GYRO\_LOW, Y\_GYRO\_LOW, and Z\_GYRO\_LOW registers capture the bit growth that comes from each accumulation operation in the decimation and Bartlett window filters. When using these filters (DEC\_RATE  $\neq$  0x0000 and/or FILT\_CTRL  $\neq$  0x0000), the bit growth is equal to the square root of the number of summations in each filter stage. For example, when DEC\_RATE = 0x0007, the decimation filter adds eight ( $7 + 1 = 8$ , see Table 109) successful samples together, which causes the data width to increase by 3 bits ( $8^{0.5} = 3$ ). When FILT\_CTRL = 0x0002, both stages in the Bartlett window filter use four ( $2^2 = 4$ , see Table 101) summation operations, which increases the data width by two bits ( $4^{0.5} = 2$ ). When using both DEC\_RATE = 0x0007 and FILT\_CTRL = 0x0002, the total bit growth is 7 bits, which increases the overall data width to 23 bits.

### Accelerometer Data Width (Digital Resolution)

The decimation filter (DEC\_RATE register, see Table 109) and Bartlett window filter (FILT\_CTRL register, see Table 101) have direct influence over the total number of bits in the output data registers, which contain relevant information. When using the factory default settings (DEC\_RATE = 0x0000, FILT\_CTRL = 0x0000) for these filters, the data width for the accelerometer data will be 20 bits. The X\_ACCL\_OUT, Y\_ACCL\_OUT, and Z\_ACCL\_OUT registers contain the most significant 16 bits of this data, while the remaining (least significant) bits are in the upper 4 bits of the X\_ACCL\_LOW, Y\_ACCL\_LOW, and Z\_ACCL\_LOW registers. Because the total noise (0.6 mg rms, see Table 1) in the accelerometer data (DEC\_RATE = 0x0000, FILT\_CTRL = 0x0000) is greater than the 16-bit quantization noise ( $0.25 \text{ mg} \div 12^{0.5} = 0.072 \text{ mg}$ ), application processors can acquire all relevant information through the X\_ACCL\_OUT, Y\_ACCL\_OUT, and Z\_ACCL\_OUT registers. This setup enables applications to preserve optimal performance, while using the burst read (see Figure 32), which only provides 16-bit data for the accelerometers.

The X\_ACCL\_LOW, Y\_ACCL\_LOW, and Z\_ACCL\_LOW registers also capture the bit growth that comes from each accumulation operation in the decimation and Bartlett window filters. When using these filters (DEC\_RATE  $\neq$  0x0000 and/or FILT\_CTRL  $\neq$  0x0000), the bit growth is proportional to the square root of the number of summations in each filter stage. For example, when DEC\_RATE = 0x0001, the decimation filter



adds two ( $1 + 1 = 2$ , see Table 109) successful samples together, which causes the data width to increase by 1 bit ( $2^{0.5} = 1$ ). When `FILT_CTRL = 0x0001`, both stages in the Bartlett window filter use two ( $2^1 = 2$ , see Table 101) summation operations, which increases the data width by 1 bit ( $2^{0.5} = 1$ ). When using both `DEC_RATE = 0x0001` and `FILT_CTRL = 0x0001`, the total bit growth is 3 bits, which increases the overall data width to 23 bits.

### PC-BASED EVALUATION TOOLS

The [ADIS16IMU4/PCBZ](#) provides a simple way to connect the ADIS16467 to the [EVAL-ADIS2](#) evaluation system, which provides a PC-based method for evaluation of basic function and performance. For more information, visit the [EVAL-ADIS2 Wiki Guide](#).