

1. SPECIFICATION

ADK-2008EB-23

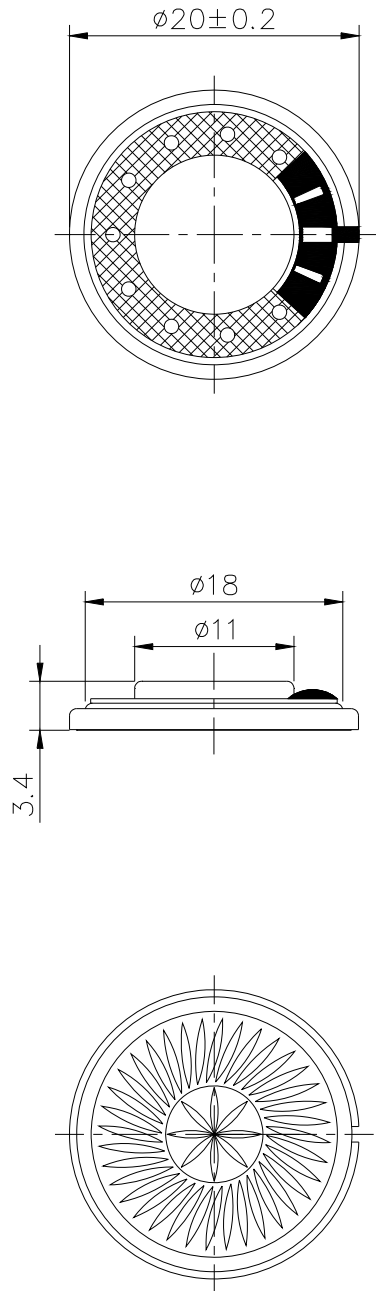
ITEM		SPECIFICATIONS	
01	Type	Dynamic speaker	
02	Dimension	External diameter 20mm	
03	Rated Input Power	0.5W	
04	Impedance	8 ohm \pm 15% at 1500Hz	
05	Resonance Frequency (Fo)	800Hz \pm 20% at Fo, 1V	
06	Sensitivity (S.P.L.)	74dB(W/m) \pm 3 dB	at AVE 1.2K,1.5K,1.8K,2.0K(Hz).
		90dB(0.5W/0.1m) \pm 3 dB	
07	Frequency Range	Fo – 20KHz	
08	Total Harmonics Distortion	Less than 8 % at 1 KHz ,1.0V	
09	Max. Input Power	Must be normal at 0.8W white noise for 1 minute.	
10	Voice Coil	Diameter 8.7mm	
11	Magnet	Rare earth permanent (Nd-Fe-B) magnet Φ 8.35 x 1.0mm	
12	Weight	2.2g \pm 0.5g	
13	Appearance	Should not exist any obstacle to be harmful to normal operation; damages, cracks, rusts and distortions, etc.	
14	Operation Test	Must be normal at program source –0.5W	
15	Buzz, Rattle, etc.	Should not be audible at 2.0V sine Wave between Fo to 20KHz	
16	Polarity	When positive voltage is applied to the terminal marked (+), diaphragm should move to the front.	
17	Terminal Strength	Capable of withstand 1kg load for 30 seconds without resulting in any damage or rejection.	
18	Temperature	Operating temperature: -20°C to +70°C	
		Storage temperature: -30°C to +75°C	

REV NO.

REVISION NOTE

APPROVAL

DATE



TITLE: DYNAMIC SPEAKER		DRAWN: <i>Killy</i> 2004/06/15	SCALE: 2:1	SHEET: 1 of 1
PART NO. ADK-2008EB-23		DESIGNED: R&D OF AAT	UNITS: mm	
DWG NO. DSE-1129		CHECKED:	TOLERANCE ± 0.2	
		APPROVAL:	UNLESS OTHERWISE SPECIFIED:	
REV		MATERIAL: IRON	ONE PLACE DECIMAL \pm ***	
			TWO PLACE DECIMAL \pm ***	
			THREE PLACE DECIMAL \pm ***	



ADVANCED ACOUSTIC TECHNOLOGY CORPORATION