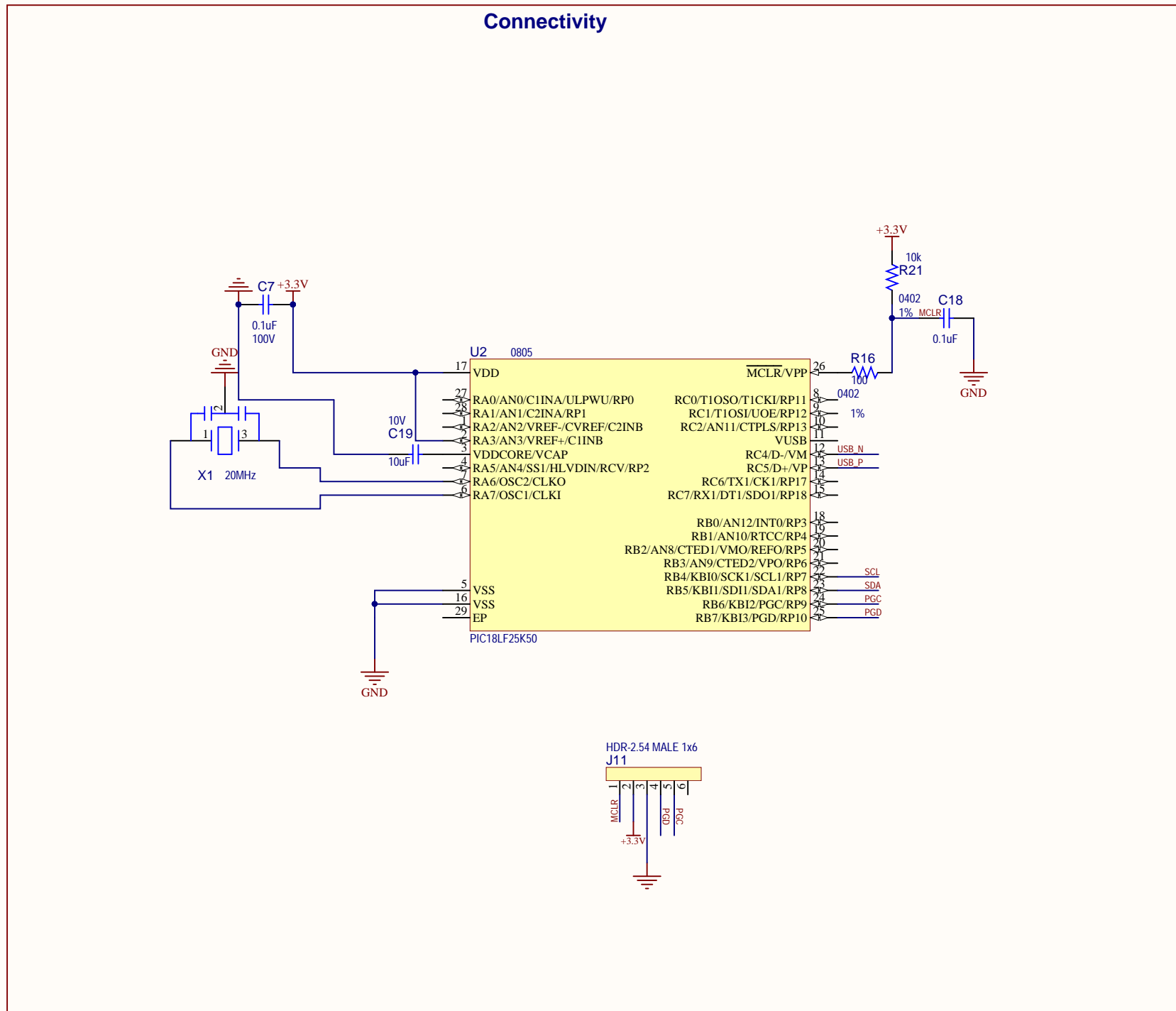


| REV | ECO# | DESCRIPTION | DATE |
|-----|------|-------------|------|
| | | | |

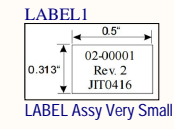
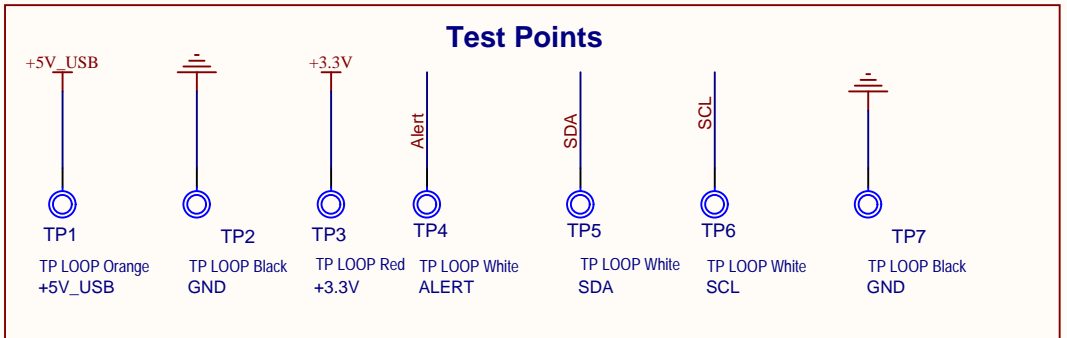
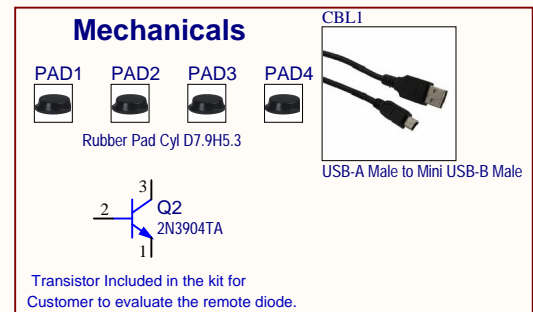
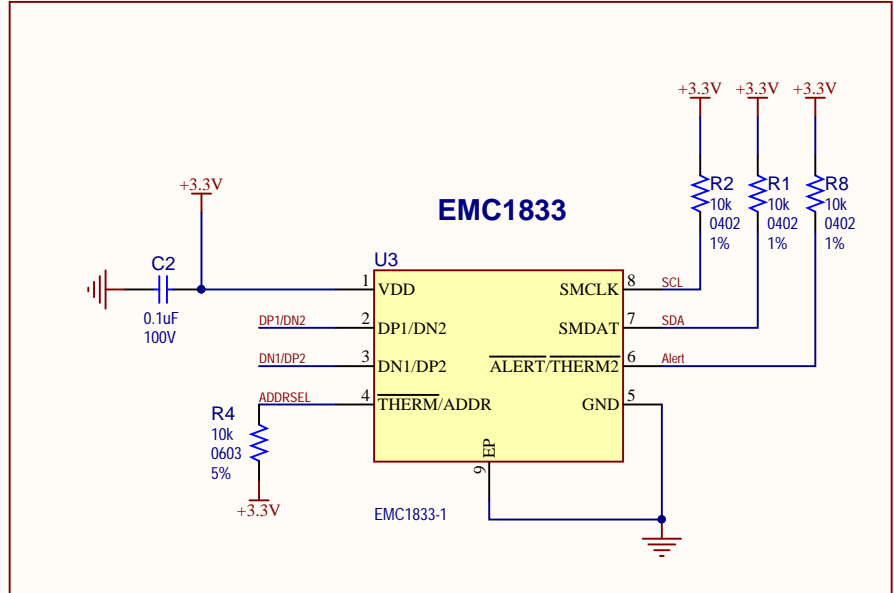
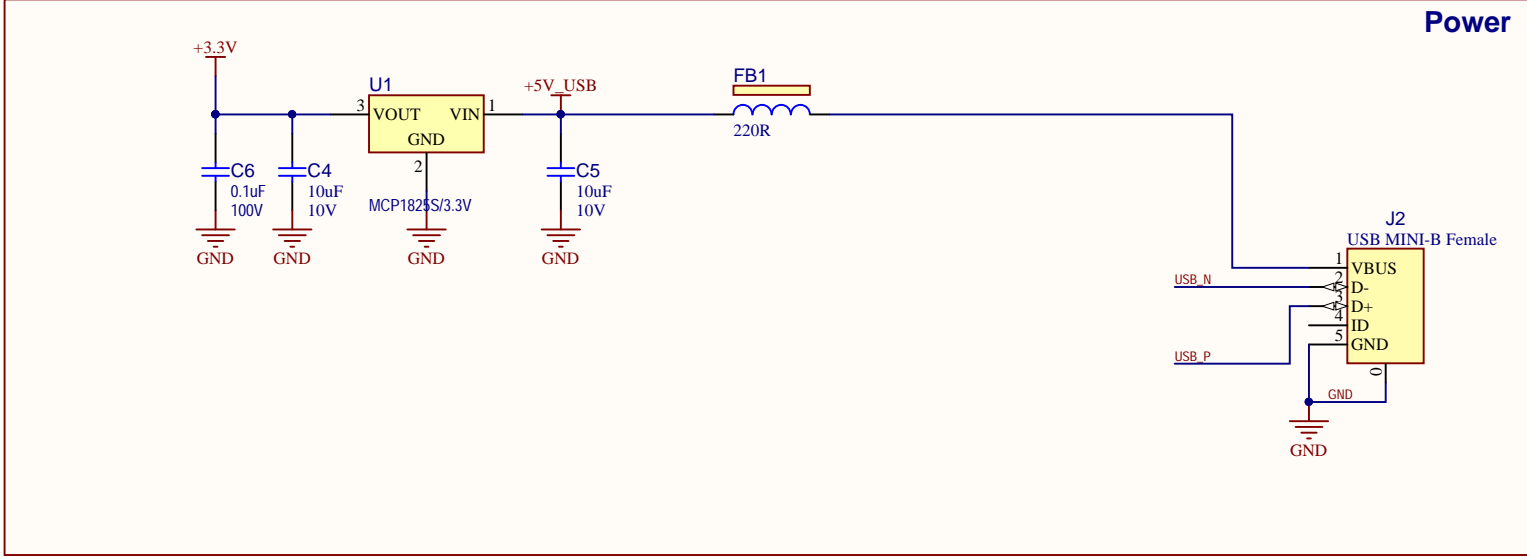
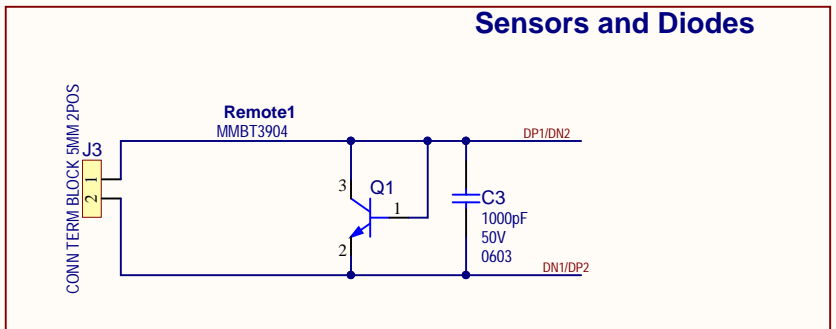


| | |
|---|---|
| Drawn By: John Austin | |
| Engineer: John Austin | |
| PartNumber: ADM00773 | Project Title EMC1833 3-Channel Temperature Eval Board. |
| Sheet Title EMC1833 Interface Circuit | |
| Size B | Sch #03-10567 Revision:2 |
| Date: 2/9/2017 9:21:03 AM | Sheet 1 of 2 |
| File: EMC1833 Interface Circuit Rev-1.SchDoc | |

Designed with

Altium.com

| REV | ECO# | DESCRIPTION | DATE |
|-----|------|-------------|------|
| | | | |



| | |
|--|---|
| Drawn By: John Austin | |
| Engineer: John Austin | |
| PartNumber: ADM00773 | Project Title EMC1833 3-Channel Temperature Eval Board. |
| Sheet Title EMC1833 Main Circuit | |
| Size B | Sch #03-10567 Revision:2 |
| Date: 2/9/2017 9:21:03 AM | Sheet 2 of 2 |
| File: EMC1833 customer evaluation board Rev-1.SchDoc | |

Designed with Altium.com