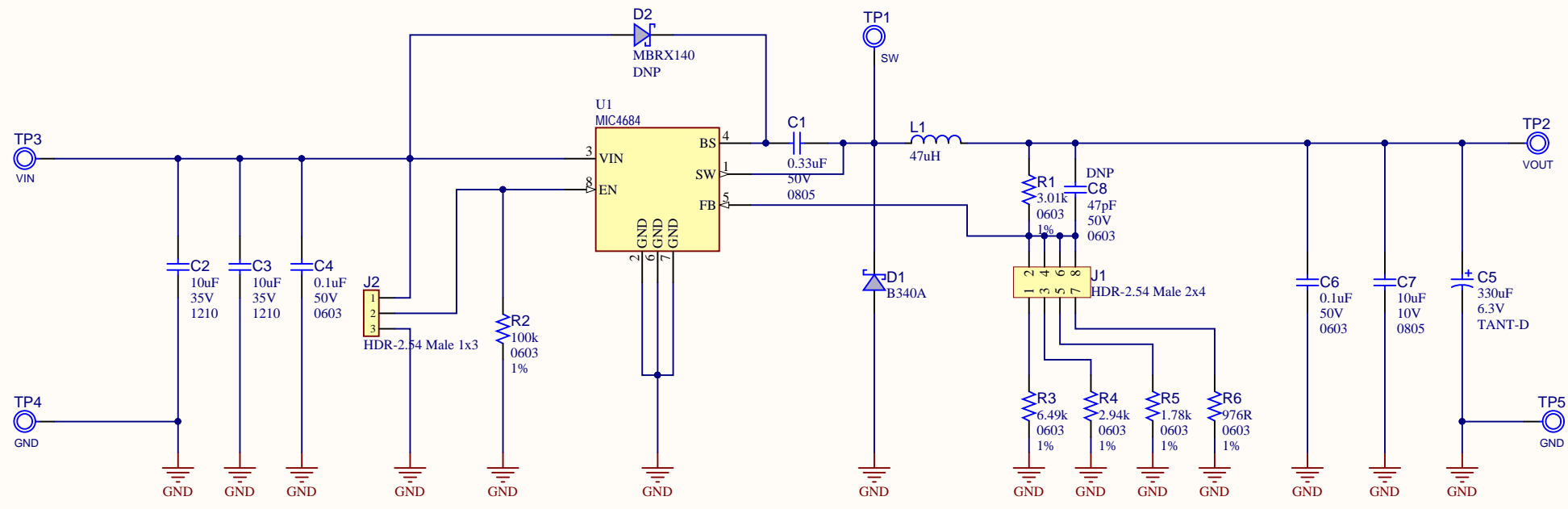


REV	ECO#	DESCRIPTION	DATE



- PAD1
RUBBER PAD D6.4 H1.9
- PAD2
RUBBER PAD D6.4 H1.9
- PAD3
RUBBER PAD D6.4 H1.9
- PAD4
RUBBER PAD D6.4 H1.9

JP1
Shunt 2.54mm 1x2

JP2
Shunt 2.54mm 1x2

LABEL3
02- -R1
JIT
LABEL Need Help Small

Drawn By: Mihai Tanase		
Engineer: Mihai Tanase		
PartNumber: ADM00821	Project Title MIC4684 Evaluation Board	
Sheet Title MIC4684 Evaluation Board		
Size B	Sch #03-10632 Revision:1	Date: 5/17/2017 3:17:29 PM Sheet 1 of 1
File: B_Microchip.SchDoc		

Designed with
Altium
Altium.com