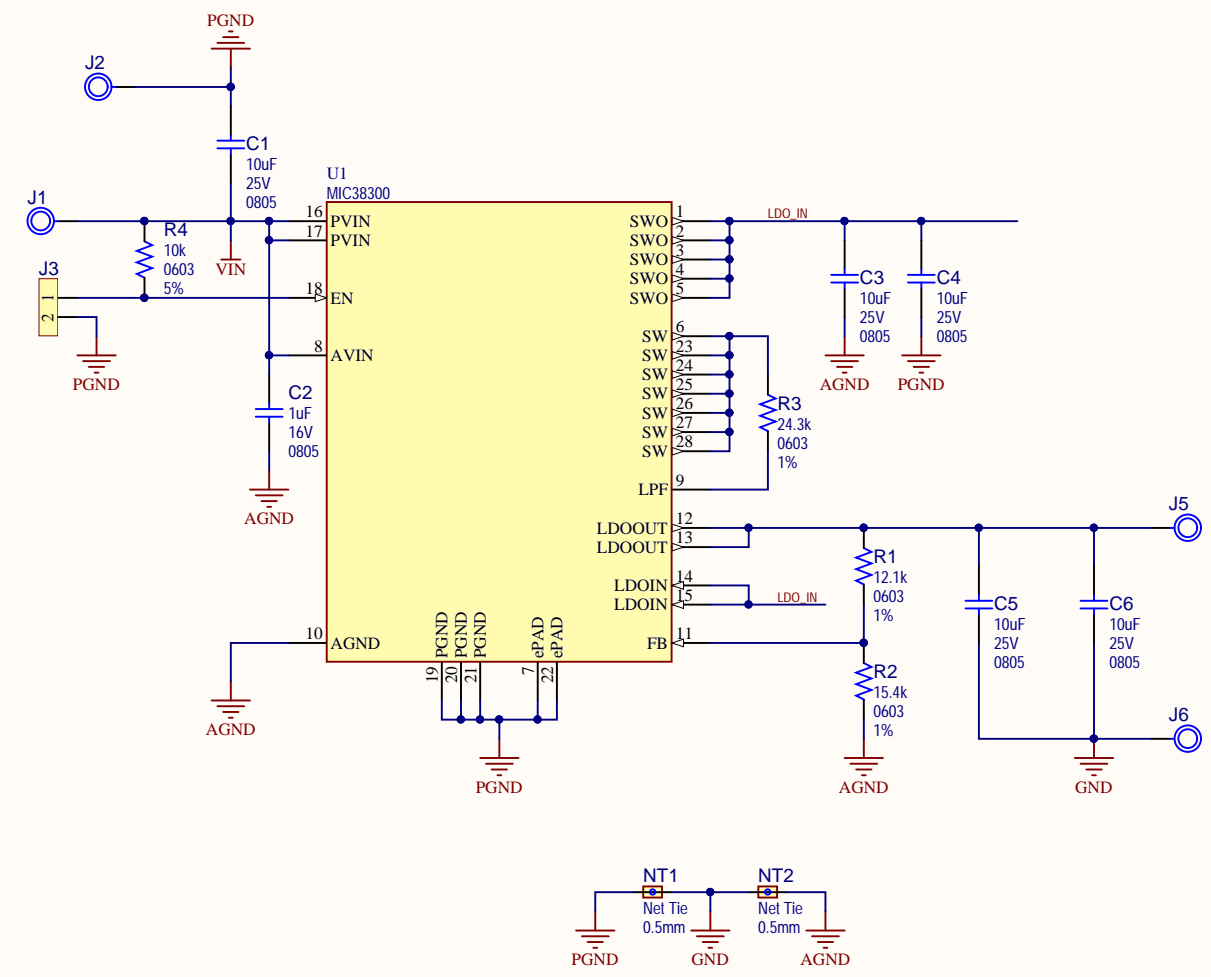


REV	ECO#	DESCRIPTION	DATE





- PAD1
Rubber Pad Cyl D7.9H5.3
- PAD2
Rubber Pad Cyl D7.9H5.3
- PAD3
Rubber Pad Cyl D7.9H5.3
- PAD4
Rubber Pad Cyl D7.9H5.3

LABEL2

02-	-R1
JIT	

 LABEL Need Help Small

Drawn By: Silvia Pavel	
Engineer: Mihai Sterescu	
PartNumber: ADM00822	Project Title MIC38300 Evaluation Board
Sheet Title MIC38300 Evaluation Board Schematic	
Size B	Sch #03-10633 Date: 5/17/2018 14:10:26 Revision:1 Sheet 1 of 1
File: MIC38300_EVB.SchDoc	
 Altium.com	