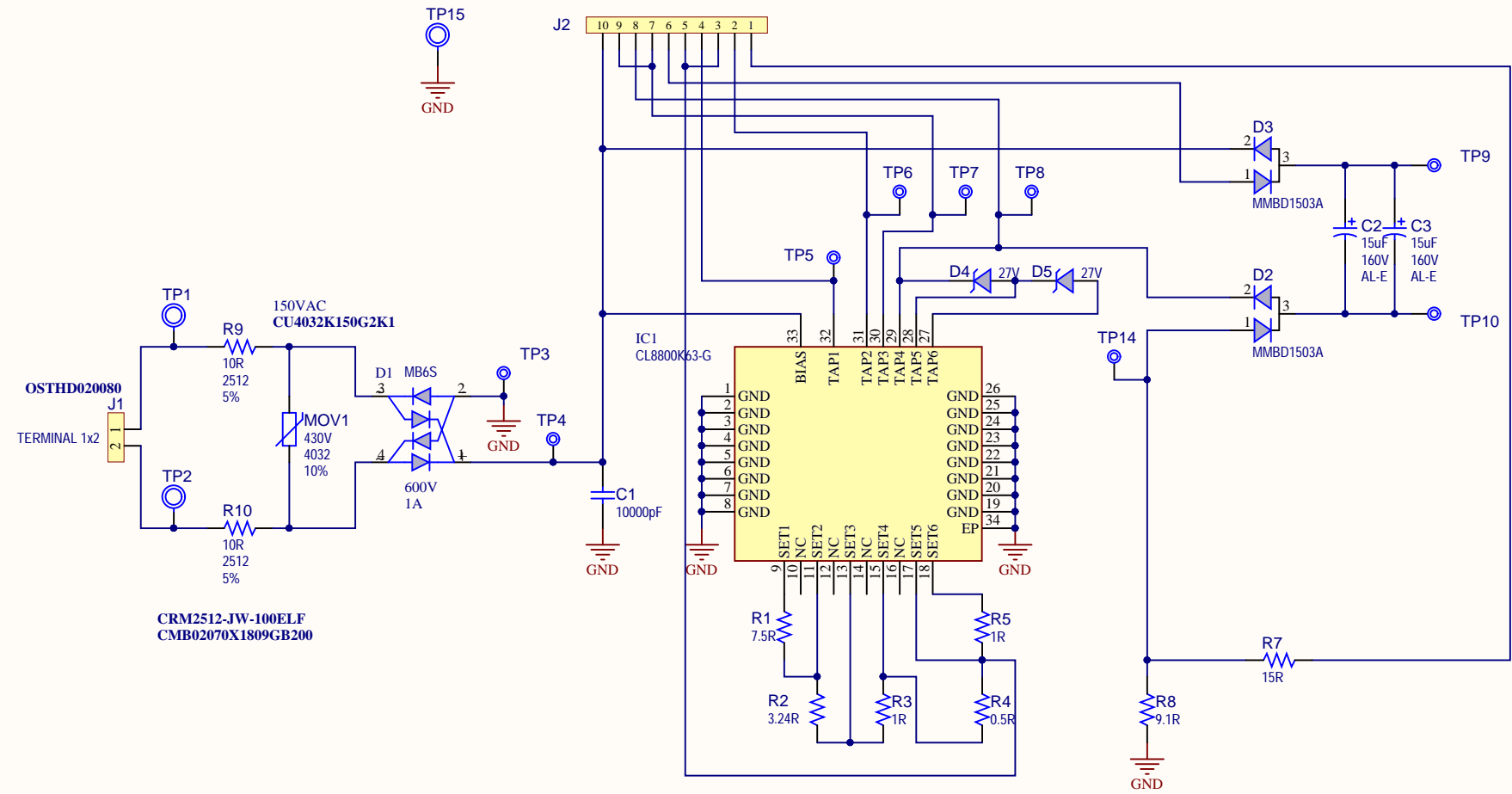


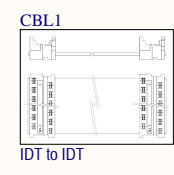
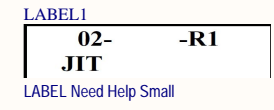
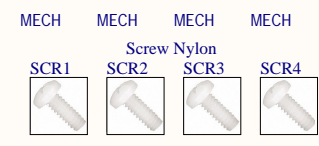
REV	ECO#	DESCRIPTION	DATE



Drawn By: Sergiu Gheorghe		
Engineer: Sergiu Gheorghe		
PartNumber: ADM00866	Project Title <b>CL8800 230VAC LED Driver</b>	
Sheet Title CL8800 230VAC LED Driver Electrical Diagram		
Size B	Sch #03-10716	Date: 5/3/2018 5:02:32 PM
	Revision:1	Sheet 1 of 2
File: D01-CL8800 230VAC Schematic_R1.SchDoc		

Designed with  
**Altium**  
Altium.com

REV	ECO#	DESCRIPTION	DATE



Drawn By: Sergiu Gheorghe		
Engineer: Sergiu Gheorghe		
PartNumber: ADM00866	Project Title <b>CL8800 230VAC LED Driver</b>	
Sheet Title <b>Mechanical</b>	<i>Designed with</i> 	
Size B	Sch #03-10716	Date: 5/3/2018 5:02:33 PM
	Revision:1	Sheet 2 of 2
File: Mechanical.SchDoc		