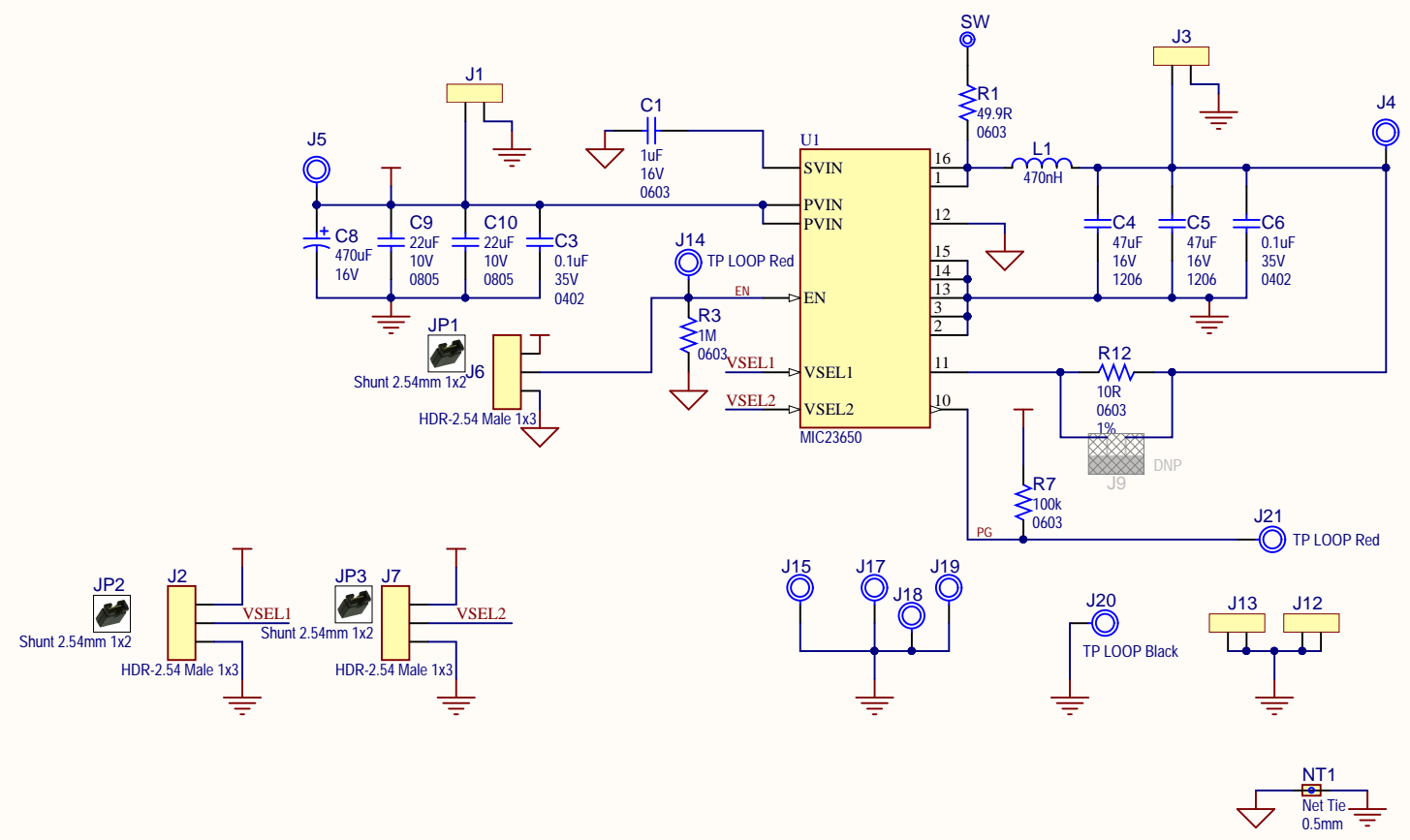


REV	ECO#	DESCRIPTION	DATE



- PAD1 Rubber Pad Cyl D7.9H5.3
- PAD2 Rubber Pad Cyl D7.9H5.3
- PAD3 Rubber Pad Cyl D7.9H5.3
- PAD4 Rubber Pad Cyl D7.9H5.3

LABEL1  
**02- -R1**  
 LABEL Need Help Small

Drawn By: Razvan Costache		
Engineer: Razvan Costache		
PartNumber: ADM00885	Project Title <b>MIC23650 6A synch buck regulator eval bd</b>	
Sheet Title <b>MIC23650 Eval Board</b>		
Size B	Sch #:03-10745	Date: 9/18/2018 3:14:59 PM
Revision: 1	Sheet 1 of 1	
File: Mechanical.SchDoc		

Designed with  
  
 Altium.com