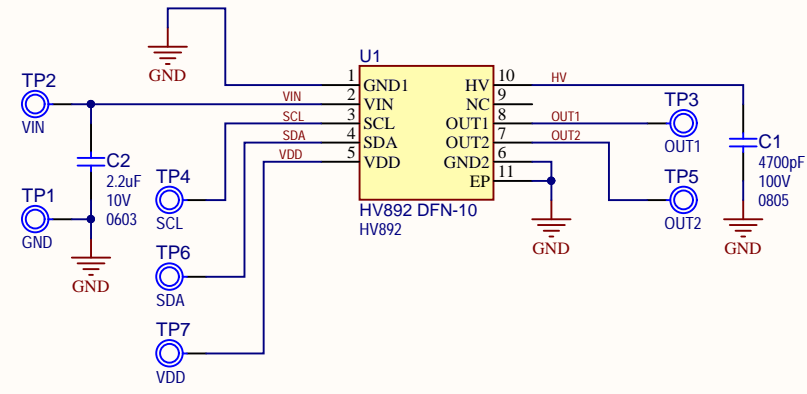


REV	ECO#	DESCRIPTION	DATE





- PAD1
Rubber Pad Cyl D7.9H5.3
- PAD2
Rubber Pad Cyl D7.9H5.3
- PAD3
Rubber Pad Cyl D7.9H5.3
- PAD4
Rubber Pad Cyl D7.9H5.3

LABEL1

02-	-R1
JIT	

LABEL Need Help Small

Drawn By: Daniel Dobre	
Engineer: Florin Bolea	
PartNumber: ADM00931	Project Title: HV892DB1 - Inductorless, Liquid Lens Driver
Sheet Title: HV892DB1 - Inductorless, Liquid Lens Driver	
Size: B	Sch #03-10826 Date: 2/26/2018 1:36:44 PM
Revision: 1	Sheet 1 of 1
File: B_Microchip.SchDoc	
 <small>Altium.com</small>	